

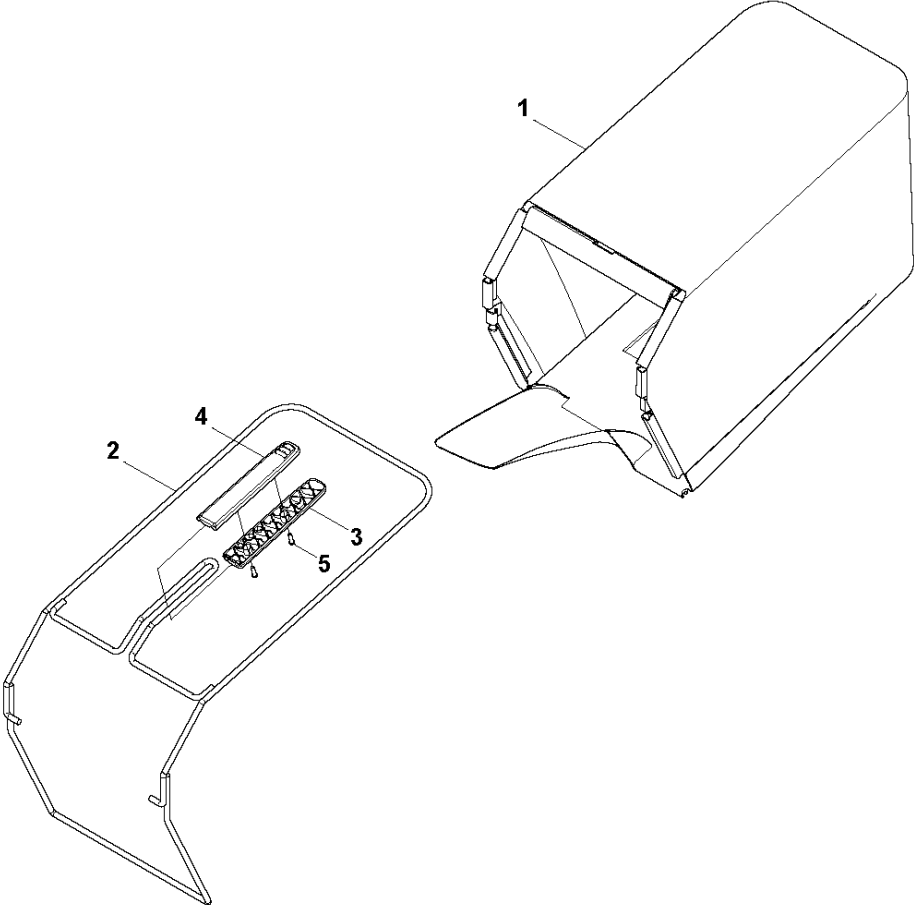


SPARE PARTS LIST

LAWN MOWERS: CONSUMER
WALK-BEHINDS

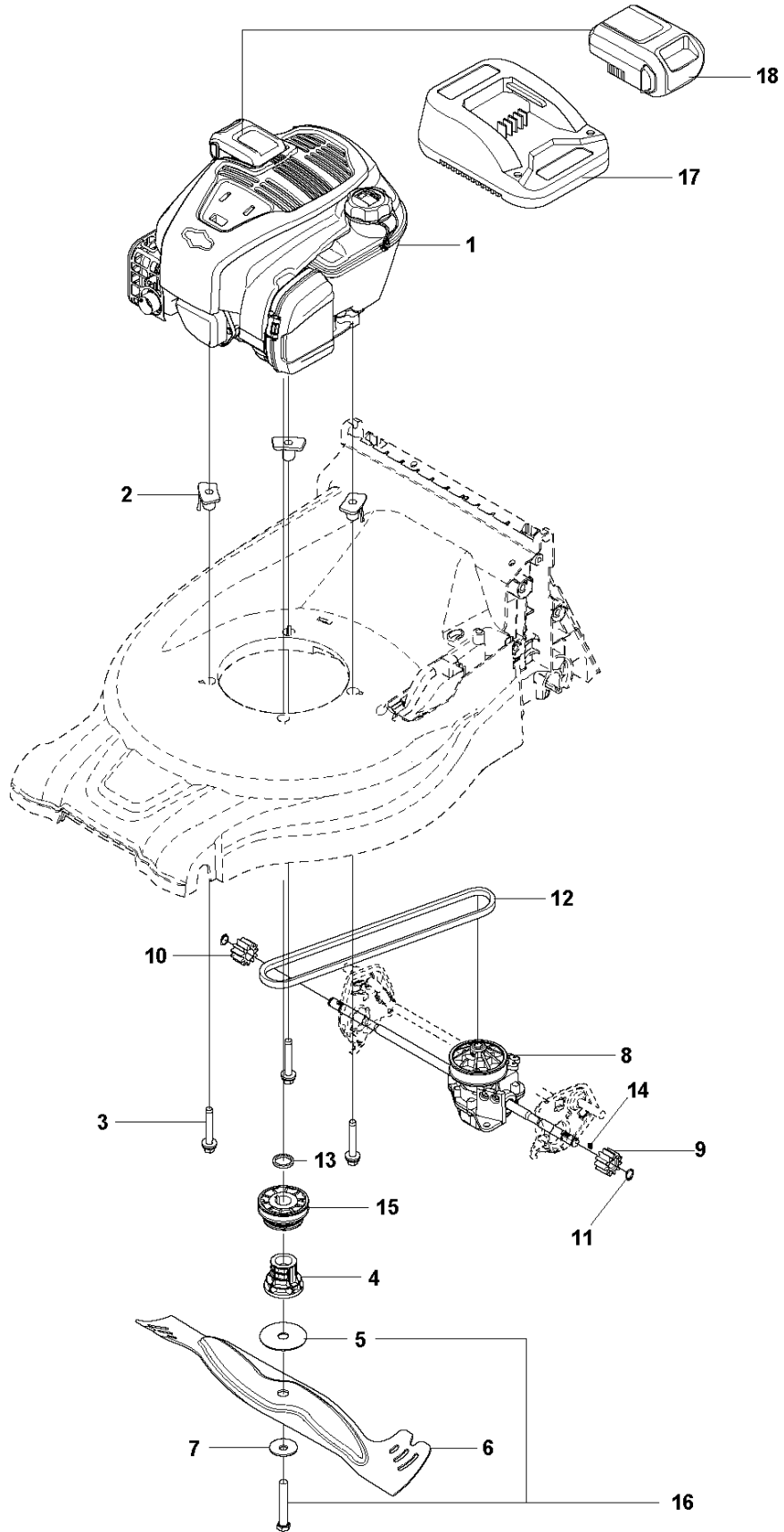
LC353 VI, 967069501, 2016-11

D LC300
COLLECT PARTS



Ref	Part No	Description	Remark	QTY KIT
1	501 85 66-01	GRASSBAG		1
2	501 71 60-01	BAG FRAME		1
3	588 18 85-02	HANDLE		1
4	588 18 84-02	HANDLE		1
5	502 43 53-01	SCREW ITPANT		1

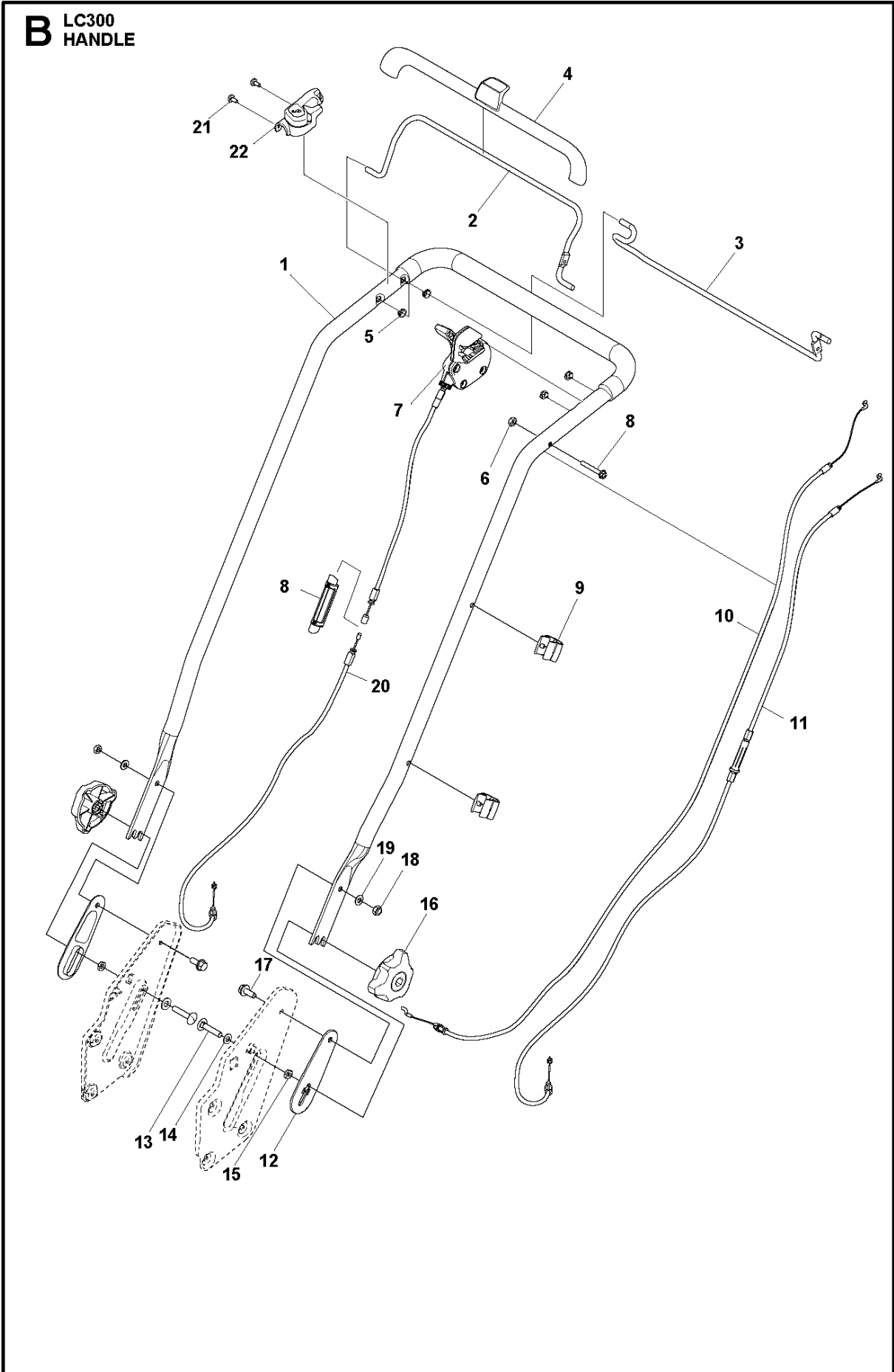
C LC300
Engine



ENGINE

LC353 VI, 967069501, 2016-11

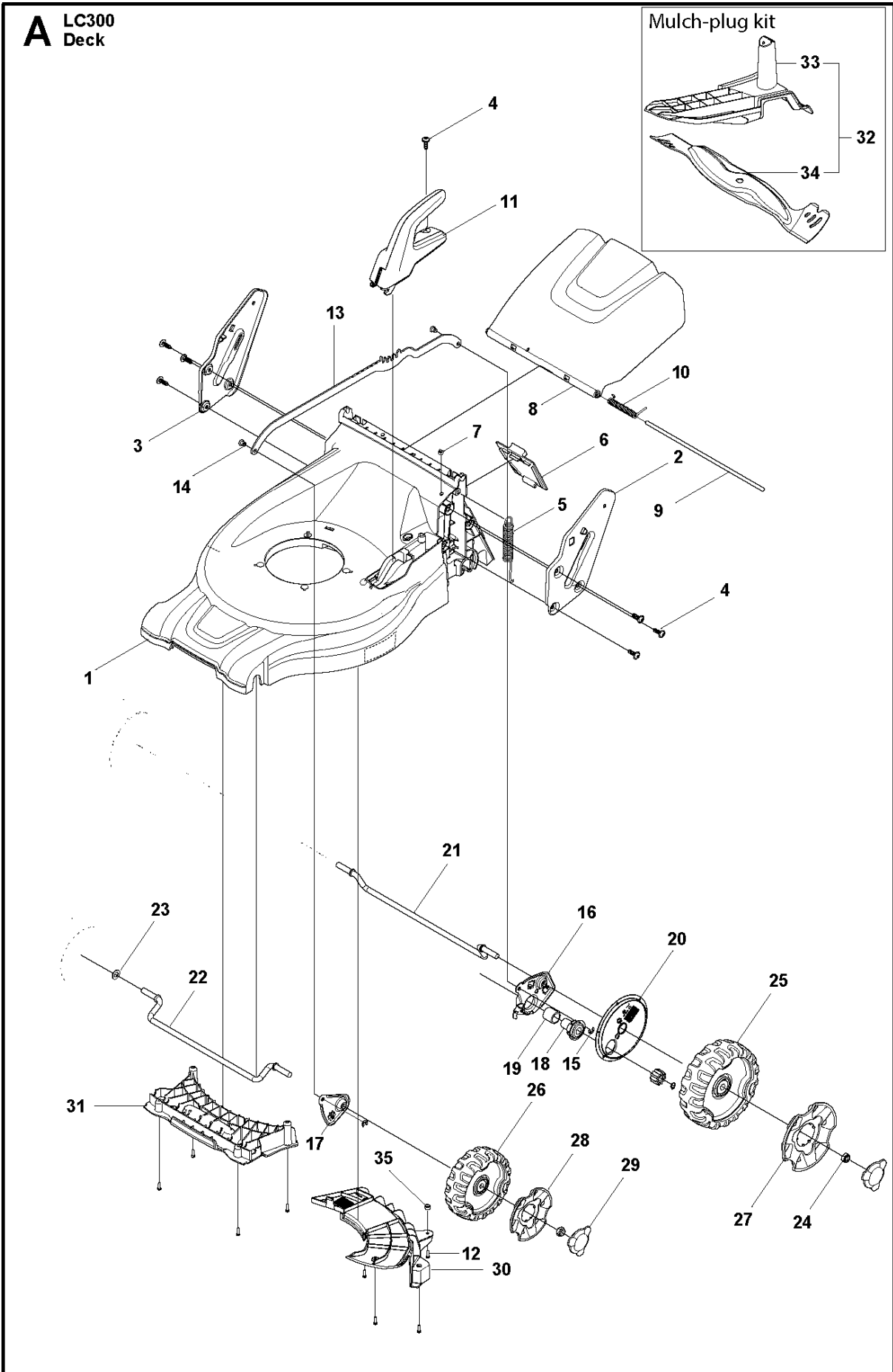
Ref	Part No	Description	Remark	QTY	KIT
1	TBD	TBD	Engine B&S 675Exi (104M0B0140H1)	1	
2	578 29 51-01	SLEEVE		3	
3	578 29 48-01	SCREW EHHFT		3	
4	582 28 69-01	BLADE SUPPORT		1	
5	503 25 94-01	WASHER		1	16
6	579 79 72-10	MOWER BLADE		1	
7	503 33 25-01	SPRING		1	
8	589 69 35-01	TRANSMISSION KIT	Delivered with 4pcs circlips	1	
9	501 86 97-01	PINION		1	
10	501 86 97-02	PINION		1	
11	735 31 14-01	CIRCLIP		2	8
12	589 32 46-05	BELT		1	
13	582 35 69-02	SLEEVE		1	
14	582 04 11-01	PIN		2	
15	582 17 89-01	PULLEY ASSY		1	
16	589 69 26-01	BOLT		1	
17	TBD	TBD	Charger B&S (592964)	1	
18	TBD	TBD	Li-Ion Battery B&S (592908)	1	



HANDLE

LC353 VI, 967069501, 2016-11

Ref	Part No	Description	Remark	QTY KIT
1	589 69 58-01	HANDLE ASSY		1
2	582 09 02-02	BAIL		1
3	587 10 18-02	BAIL		1
4	587 10 25-03	GRIP		1
5	503 32 09-02	BUSHING		4
6	732 25 16-01	HEXAGON LOCKING NUT		1
7	582 51 20-02	CONTROL		1
8	582 90 40-01	CONNECTOR		1
9	579 13 46-01	CABLE HOLDER		2
10	589 33 42-02	WIRE		1
11	582 10 52-01	WIRE		1
12	587 78 04-01	WASHER		2
13	588 15 73-02	BOLT		2
14	588 15 74-01	WASHER		2
15	731 43 18-01	HEXAGON THIN NUT		2
16	587 23 72-01	KNOB		2
17	506 57 01-04	SCREW EHHFM		2
18	732 21 18-01	LOCK NUT		2
19	734 18 20-51	WASHER		2
20	582 87 38-01	WIRE		1
21	502 43 52-01	SCREW ITXPANTT		2
22	582 66 25-01	LEVER ASSY		1



MOWER DECK / CUTTING DECK

LC353 VI, 967069501, 2016-11

Ref	Part No	Description	Remark	QTY	KIT
1	501 70 48-01	CHASSIS		1	
2	587 21 21-02	HANDLE SUPPORT		1	
3	587 21 23-02	HANDLE SUPPORT		1	
4	578 17 58-02	SCREW ITPANT		7	
5	588 82 77-01	SPRING		1	
6	587 09 54-01	COVER		1	
7	579 31 74-01	STRAP		1	
8	501 71 61-01	HATCH		1	
9	586 98 46-02	AXLE		1	
10	587 10 15-01	SPRING		1	
11	587 10 14-03	HATCH		1	
12	502 43 53-01	SCREW ITPANT		3	
13	588 82 78-01	ROD		1	
14	587 68 70-01	SHAFT		2	
15	735 31 12-20	E-CLIP		2	
16	587 07 25-01	LINK ARM		2	
17	587 07 24-01	LINK ARM		1	
18	501 86 10-01	BUSHING		2	
19	579 68 28-02	TUBE		2	
20	588 75 18-01	DUST COVER		2	
21	587 07 26-03	WHEEL AXLE		1	
22	587 07 26-04	WHEEL AXLE		1	
23	577 09 28-01	WASHER		1	
24	587 99 09-01	NUT		4	
25	588 74 96-01	WHEEL ASSY		2	
26	588 74 97-01	WHEEL ASSY		2	
27	588 75 20-01	HUB CAP		2	
28	588 75 21-01	HUB CAP		2	
29	587 99 09-01	NUT		4	
30	501 71 55-01	BELT COVER		1	
31	501 91 03-01	SKID PLATE		1	
32	582 68 06-01	MULCH KIT		1	
33	582 36 27-01	MULCH PLUG		1	32
34	588 90 39-10	MOWER BLADE		1	32
35	582 33 31-01	DISTANCE		1	