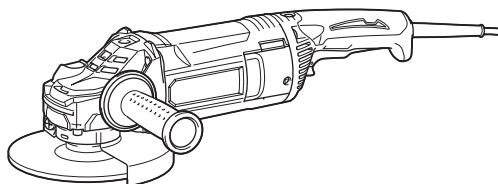
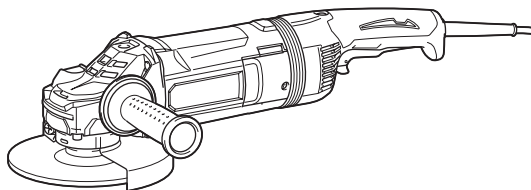
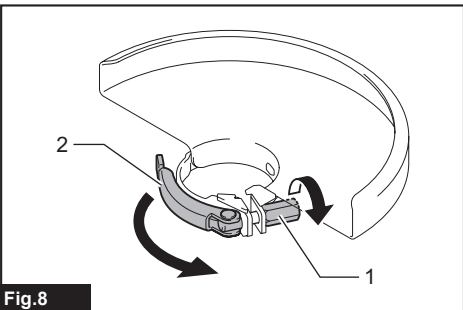
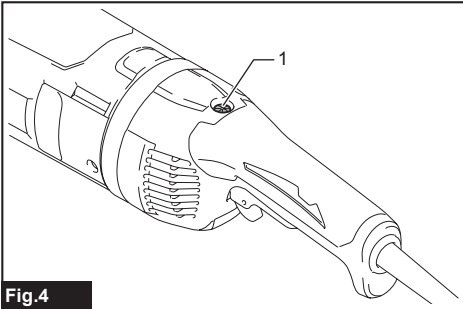
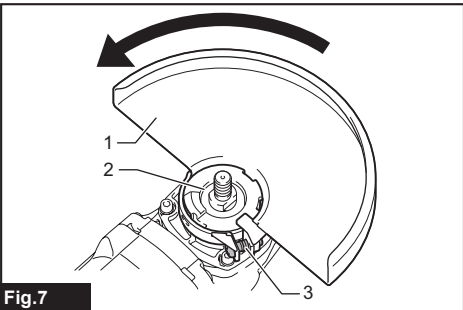
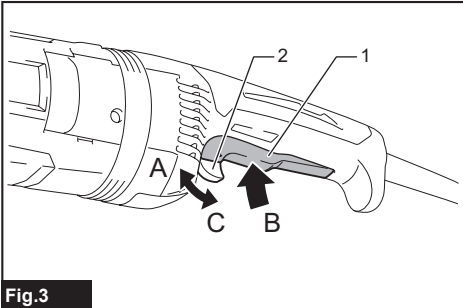
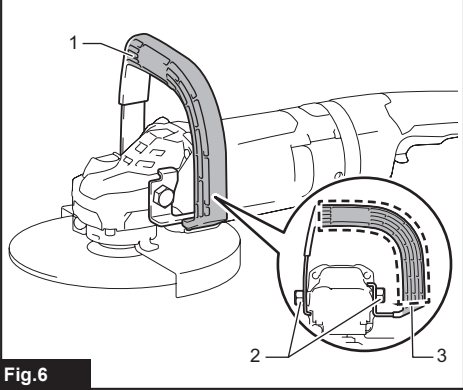
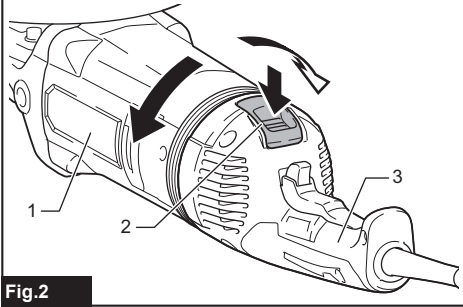
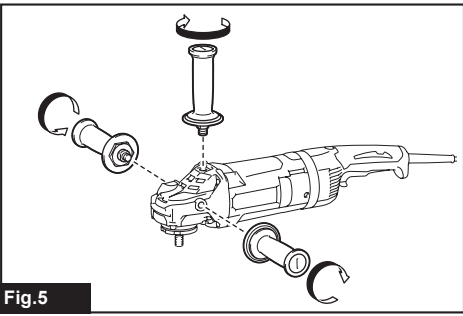
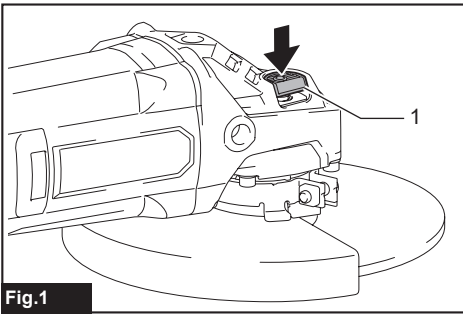


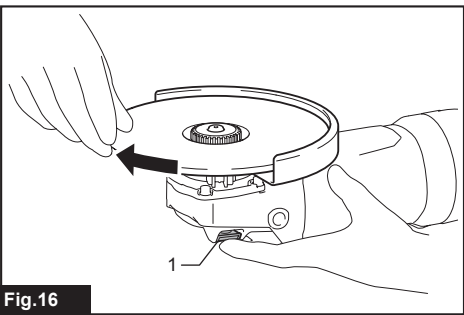
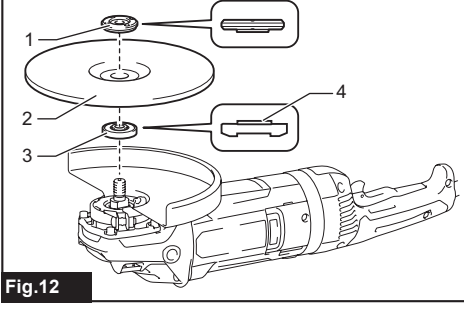
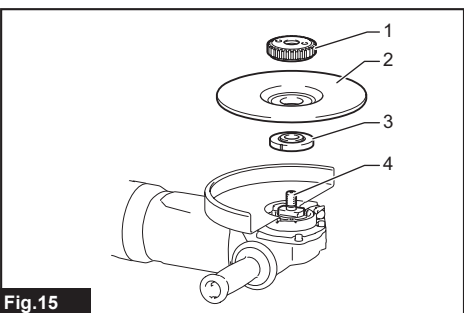
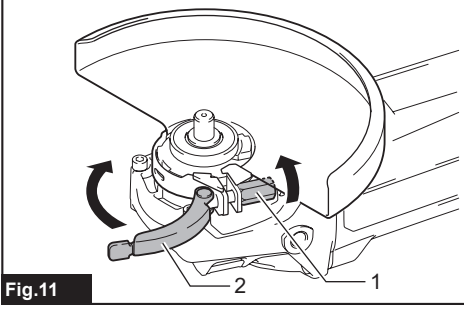
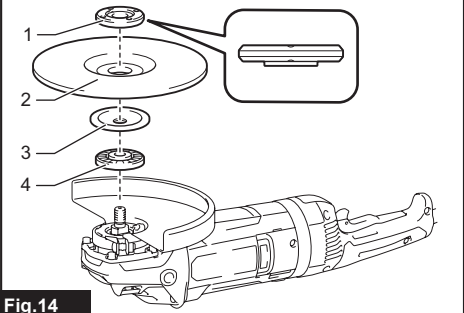
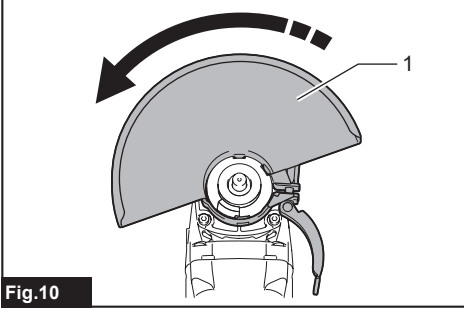
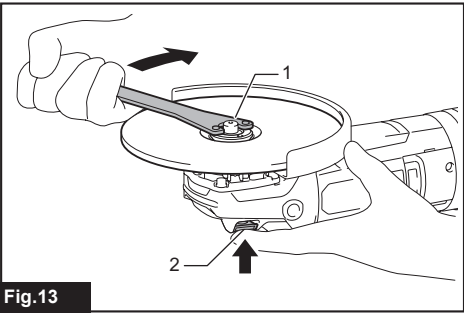
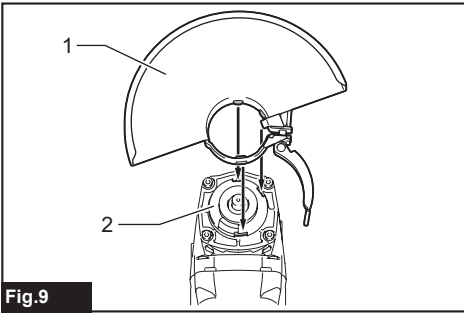


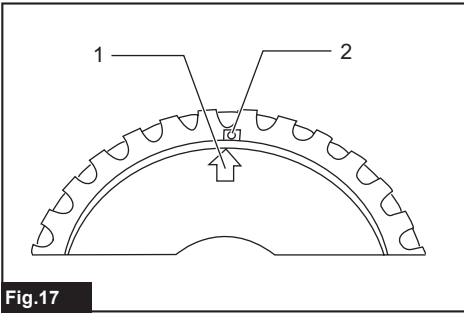
EN	Angle Grinder	INSTRUCTION MANUAL	7
SV	Vinkelslipmaskin	BRUKSANVISNING	17
NO	Vinkelsliper	BRUKSANVISNING	27
FI	Kulmahiomakone	KÄYTTÖOHJE	38
DA	Vinkelsliber	BRUGSANVISNING	49
LV	Leņķa slīpmašīna	LIETOŠANAS INSTRUKCIJA	60
LT	Kampinis šlifuoklis	NAUDOJIMO INSTRUKCIJA	71
ET	Nurklihvkäi	KASUTUSJUHEND	82
RU	Угловая шлифмашина	РУКОВОДСТВО ПО ЭКСПЛУАТАЦИИ	93

**GA7080**  
**GA7081**  
**GA7082**  
**GA9080**  
**GA9081**  
**GA9082**

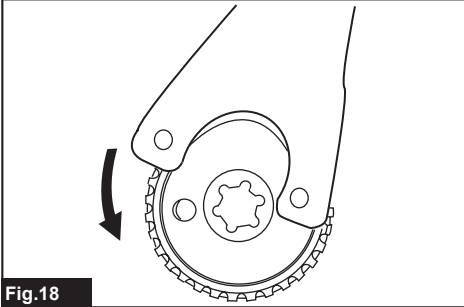




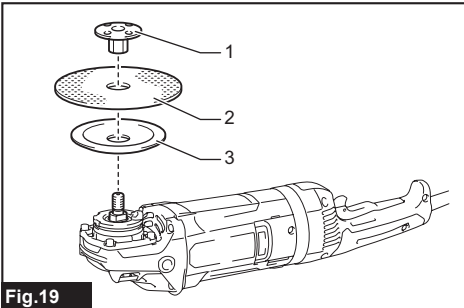




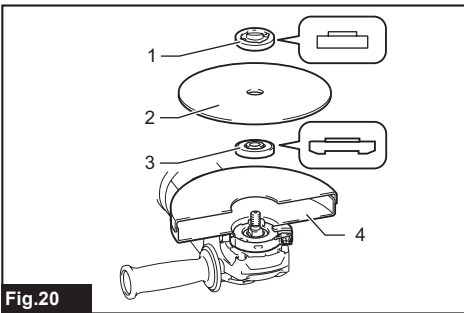
**Fig.17**



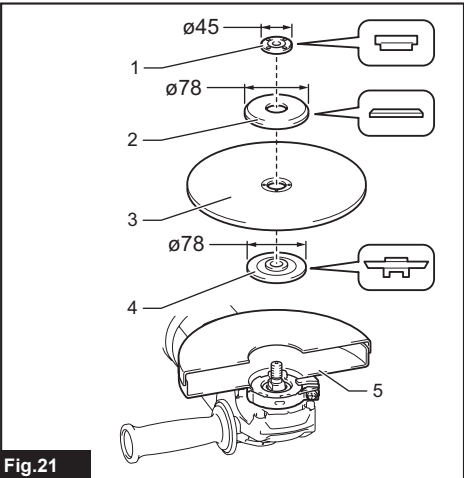
**Fig.18**



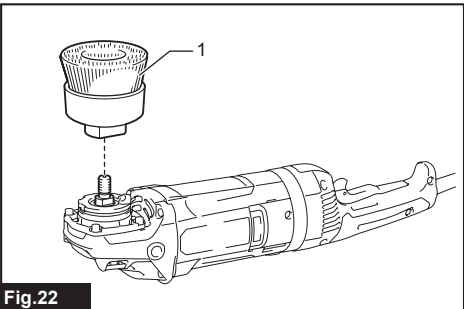
**Fig.19**



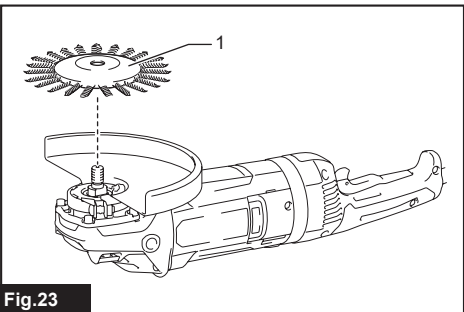
**Fig.20**



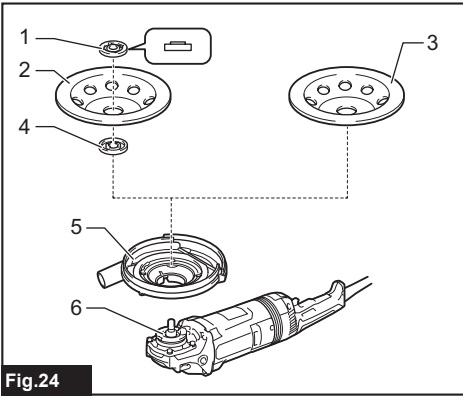
**Fig.21**



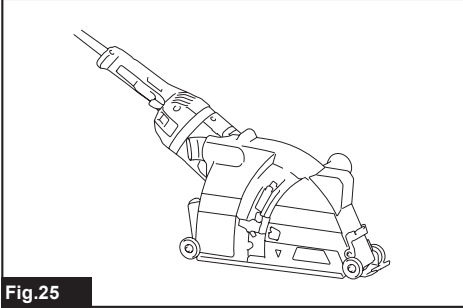
**Fig.22**



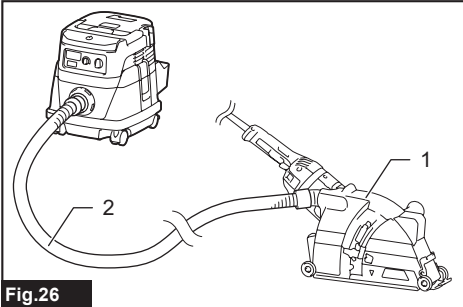
**Fig.23**



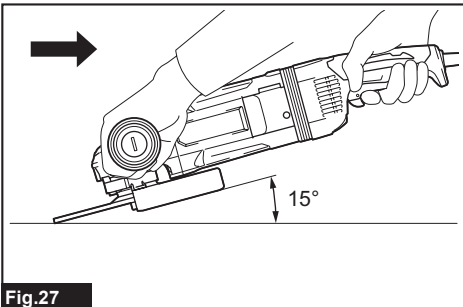
**Fig.24**



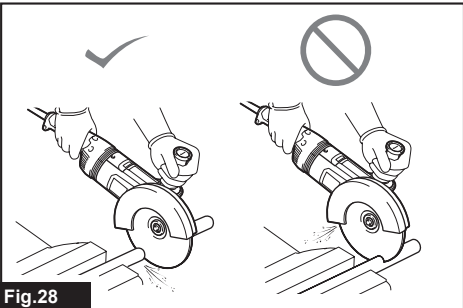
**Fig.25**



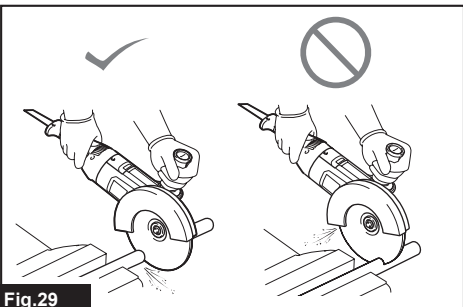
**Fig.26**



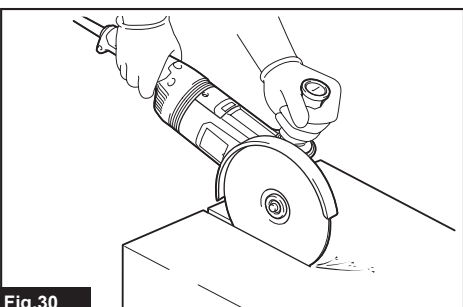
**Fig.27**



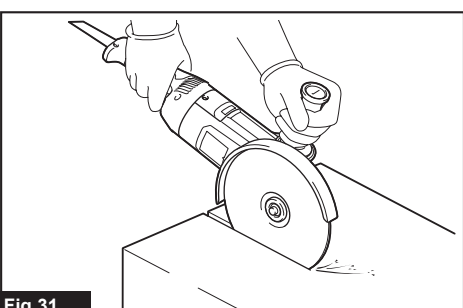
**Fig.28**



**Fig.29**



**Fig.30**



**Fig.31**

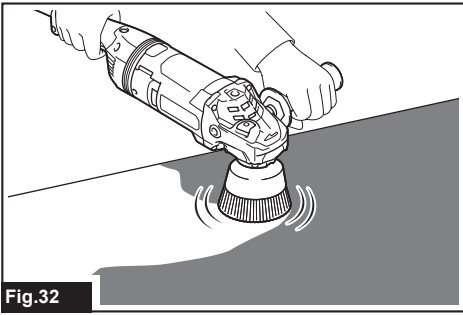


Fig.32

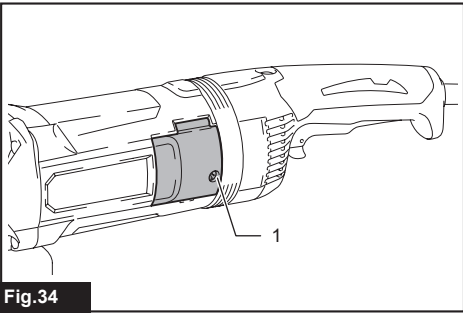


Fig.34

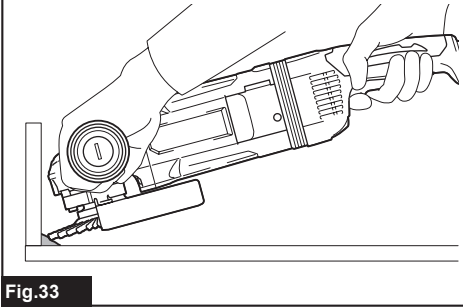


Fig.33

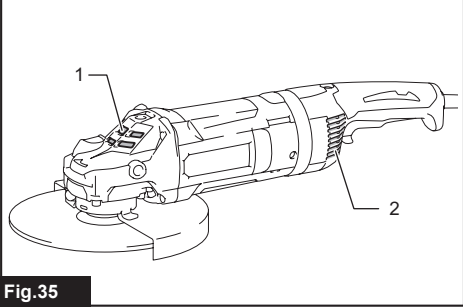


Fig.35

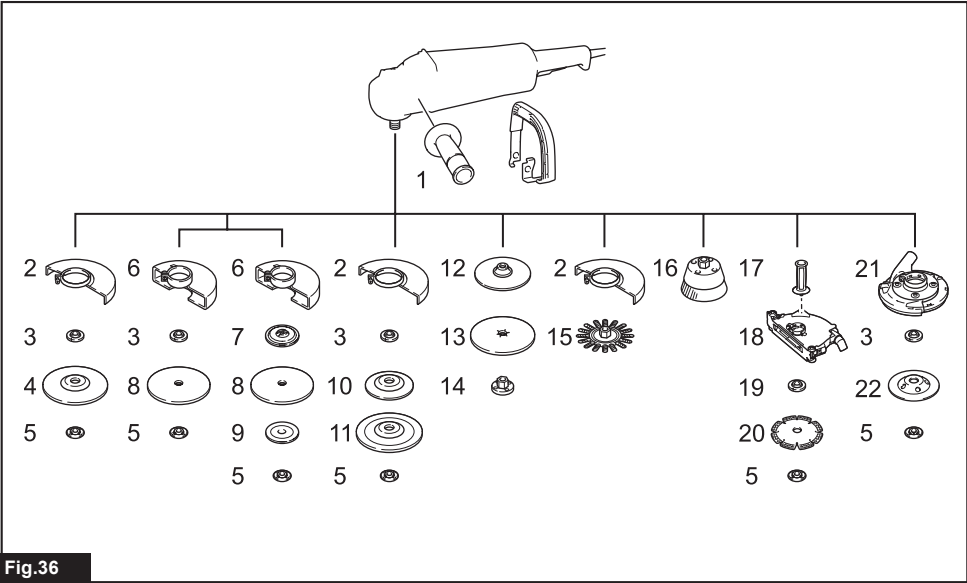


Fig.36

## SPECIFICATIONS

Model:	GA7080	GA7081	GA7082	GA9080	GA9081	GA9082
Wheel diameter	180 mm			230 mm		
Max. wheel thickness	7.2 mm			6.5 mm		
Spindle thread	M14 or M16 or 5/8"					
Rated speed (n)	8,500 min <sup>-1</sup>			6,600 min <sup>-1</sup>		
Overall length	509 mm	461 mm		509 mm	461 mm	
Net weight	6.3 - 6.8 kg	6.1 - 6.6 kg	6.0 - 6.5 kg	6.5 - 8.6 kg	6.3 - 8.4 kg	6.2 - 8.3 kg
Safety class	□/II					

- Due to our continuing program of research and development, the specifications herein are subject to change without notice.
- Specifications may differ from country to country.
- The weight may differ depending on the attachment(s). The lightest and heaviest combinations, according to EPTA-Procedure 01/2014, are shown in the table.

### Intended use

The tool is intended for grinding, sanding and cutting of metal and stone materials without the use of water.

### Power supply

The tool should be connected only to a power supply of the same voltage as indicated on the nameplate, and can only be operated on single-phase AC supply. They are double-insulated and can, therefore, also be used from sockets without earth wire.

### For public low-voltage distribution systems of between 220 V and 250 V

#### Only for model GA7082 / GA9082

Switching operations of electric apparatus cause voltage fluctuations. The operation of this device under unfavorable mains conditions can have adverse effects to the operation of other equipment. With a mains impedance equal or less than 0.20 Ohms it can be presumed that there will be no negative effects. The mains socket used for this device must be protected with a fuse or protective circuit breaker having slow tripping characteristics.

### Noise

The typical A-weighted noise level determined according to EN60745-2-3:

Model	Sound pressure level (L <sub>pA</sub> ) : (dB(A))	Sound power level (L <sub>wA</sub> ) : (dB(A))	Uncertainty (K) : (dB(A))
GA7080	91	102	3
GA7081	91	102	3
GA7082	91	102	3
GA9080	92	103	3
GA9081	92	103	3
GA9082	92	103	3

**NOTE:** The declared noise emission value(s) has been measured in accordance with a standard test method and may be used for comparing one tool with another.

**NOTE:** The declared noise emission value(s) may also be used in a preliminary assessment of exposure.

**⚠ WARNING:** Wear ear protection.

**⚠ WARNING:** The noise emission during actual use of the power tool can differ from the declared value(s) depending on the ways in which the tool is used especially what kind of workpiece is processed.

**⚠ WARNING:** Be sure to identify safety measures to protect the operator that are based on an estimation of exposure in the actual conditions of use (taking account of all parts of the operating cycle such as the times when the tool is switched off and when it is running idle in addition to the trigger time).

## Vibration

The vibration total value (tri-axial vector sum) determined according to EN60745-2-3:

### Work mode: surface grinding with normal side grip

Model	Vibration emission ( $a_{hv, AG}$ ) : (m/s <sup>2</sup> )	Uncertainty (K) : (m/s <sup>2</sup> )
GA7080	5.6	1.5
GA7081	6.8	1.5
GA7082	6.8	1.5
GA9080	5.2	1.5
GA9081	6.3	1.5
GA9082	6.3	1.5

### Work mode: surface grinding with anti vibration side grip

Model	Vibration emission ( $a_{hv, AG}$ ) : (m/s <sup>2</sup> )	Uncertainty (K) : (m/s <sup>2</sup> )
GA7080	5.9	1.5
GA7081	7.3	1.5
GA7082	7.3	1.5
GA9080	5.3	1.5
GA9081	5.4	1.5
GA9082	5.4	1.5

### Work mode: disc sanding with normal side grip

Model	Vibration emission ( $a_{hv, AG}$ ) : (m/s <sup>2</sup> )	Uncertainty (K) : (m/s <sup>2</sup> )
GA7080	3.6	1.5
GA7081	3.2	1.5
GA7082	3.2	1.5
GA9080	2.5 m/s <sup>2</sup> or less	1.5
GA9081	2.7	1.5
GA9082	2.7	1.5

### Work mode: disc sanding with anti vibration side grip

Model	Vibration emission ( $a_{hv, AG}$ ) : (m/s <sup>2</sup> )	Uncertainty (K) : (m/s <sup>2</sup> )
GA7080	3.9	1.5
GA7081	3.1	1.5
GA7082	3.1	1.5
GA9080	2.5 m/s <sup>2</sup> or less	1.5
GA9081	3.1	1.5
GA9082	3.1	1.5

**NOTE:** The declared vibration total value(s) has been measured in accordance with a standard test method and may be used for comparing one tool with another.

**NOTE:** The declared vibration total value(s) may also be used in a preliminary assessment of exposure.

**⚠ WARNING:** The vibration emission during actual use of the power tool can differ from the declared value(s) depending on the ways in which the tool is used especially what kind of workpiece is processed.

**⚠ WARNING:** Be sure to identify safety measures to protect the operator that are based on an estimation of exposure in the actual conditions of use (taking account of all parts of the operating cycle such as the times when the tool is switched off and when it is running idle in addition to the trigger time).

**⚠ WARNING:** The declared vibration emission value is used for main applications of the power tool. However if the power tool is used for other applications, the vibration emission value may be different.



## Declarations of Conformity

### For European countries only

The Declarations of conformity are included in Annex A to this instruction manual.

## SAFETY WARNINGS

### General power tool safety warnings

**⚠WARNING** Read all safety warnings, instructions, illustrations and specifications provided with this power tool. Failure to follow all instructions listed below may result in electric shock, fire and/or serious injury.

### Save all warnings and instructions for future reference.

The term "power tool" in the warnings refers to your mains-operated (corded) power tool or battery-operated (cordless) power tool.

### Grinder safety warnings

#### Safety Warnings Common for Grinding, Sanding, Wire Brushing, or Abrasive Cutting-Off Operations:

- 1. This power tool is intended to function as a grinder, sander, wire brush or cut-off tool.** Read all safety warnings, instructions, illustrations and specifications provided with this power tool. Failure to follow all instructions listed below may result in electric shock, fire and/or serious injury.
- 2. Operations such as polishing are not recommended to be performed with this power tool.** Operations for which the power tool was not designed may create a hazard and cause personal injury.
- 3. Do not use accessories which are not specifically designed and recommended by the tool manufacturer.** Just because the accessory can be attached to your power tool, it does not assure safe operation.
- 4. The rated speed of the accessory must be at least equal to the maximum speed marked on the power tool.** Accessories running faster than their rated speed can break and fly apart.
- 5. The outside diameter and the thickness of your accessory must be within the capacity rating of your power tool.** Incorrectly sized accessories cannot be adequately guarded or controlled.
- 6. Threaded mounting of accessories must match the grinder spindle thread.** For accessories mounted by flanges, the arbour hole of the accessory must fit the locating diameter of the flange. Accessories that do not match the mounting hardware of the power tool will run out of balance, vibrate excessively and may cause loss of control.
- 7. Do not use a damaged accessory. Before each use inspect the accessory such as abrasive wheels for chips and cracks, backing pad for cracks, tear or excess wear, wire brush for loose or cracked wires. If power tool or accessory is dropped, inspect for damage or install an undamaged accessory. After inspecting and installing an accessory, position yourself and bystanders away from the plane of the rotating accessory and run the power tool at maximum no-load speed for one minute.** Damaged accessories will normally break apart during this test time.
- 8. Wear personal protective equipment. Depending on application, use face shield, safety goggles or safety glasses. As appropriate, wear dust mask, hearing protectors, gloves and workshop apron capable of stopping small abrasive or workpiece fragments.** The eye protection must be capable of stopping flying debris generated by various operations. The dust mask or respirator must be capable of filtering particles generated by your operation. Prolonged exposure to high intensity noise may cause hearing loss.
- 9. Keep bystanders a safe distance away from work area. Anyone entering the work area must wear personal protective equipment.** Fragments of workpiece or of a broken accessory may fly away and cause injury beyond immediate area of operation.
- 10. Hold the power tool by insulated gripping surfaces only, when performing an operation where the cutting accessory may contact hidden wiring or its own cord.** Cutting accessory contacting a "live" wire may make exposed metal parts of the power tool "live" and could give the operator an electric shock.
- 11. Position the cord clear of the spinning accessory.** If you lose control, the cord may be cut or snagged and your hand or arm may be pulled into the spinning accessory.
- 12. Never lay the power tool down until the accessory has come to a complete stop.** The spinning accessory may grab the surface and pull the power tool out of your control.
- 13. Do not run the power tool while carrying it at your side.** Accidental contact with the spinning accessory could snag your clothing, pulling the accessory into your body.
- 14. Regularly clean the power tool's air vents.** The motor's fan will draw the dust inside the housing and excessive accumulation of powdered metal may cause electrical hazards.
- 15. Do not operate the power tool near flammable materials.** Sparks could ignite these materials.
- 16. Do not use accessories that require liquid coolants.** Using water or other liquid coolants may result in electrocution or shock.

### Kickback and Related Warnings

Kickback is a sudden reaction to a pinched or snagged rotating wheel, backing pad, brush or any other accessory. Pinching or snagging causes rapid stalling of the rotating accessory which in turn causes the uncontrolled power tool to be forced in the direction opposite of the accessory's rotation at the point of the binding. For example, if an abrasive wheel is snagged or pinched by the workpiece, the edge of the wheel that is entering into the pinch point can dig into the surface of the material causing the wheel to climb out or kick out. The wheel may either jump toward or away from the operator, depending on direction of the wheel's movement at the point of pinching. Abrasive wheels may also break under these conditions.

Kickback is the result of power tool misuse and/or incorrect operating procedures or conditions and can be avoided by taking proper precautions as given below.

1. **Maintain a firm grip on the power tool and position your body and arm to allow you to resist kickback forces. Always use auxiliary handle, if provided, for maximum control over kickback or torque reaction during start-up.** The operator can control torque reactions or kickback forces, if proper precautions are taken.
2. **Never place your hand near the rotating accessory.** Accessory may kickback over your hand.
3. **Do not position your body in the area where power tool will move if kickback occurs.** Kickback will propel the tool in direction opposite to the wheel's movement at the point of snagging.
4. **Use special care when working corners, sharp edges etc. Avoid bouncing and snagging the accessory.** Corners, sharp edges or bouncing have a tendency to snag the rotating accessory and cause loss of control or kickback.
5. **Do not attach a saw chain woodcarving blade or toothed saw blade.** Such blades create frequent kickback and loss of control.

### Safety Warnings Specific for Grinding and Abrasive Cutting-Off Operations:

1. **Use only wheel types that are recommended for your power tool and the specific guard designed for the selected wheel.** Wheels for which the power tool was not designed cannot be adequately guarded and are unsafe.
2. **The grinding surface of centre depressed wheels must be mounted below the plane of the guard lip.** An improperly mounted wheel that projects through the plane of the guard lip cannot be adequately protected.
3. **The guard must be securely attached to the power tool and positioned for maximum safety, so the least amount of wheel is exposed towards the operator.** The guard helps to protect the operator from broken wheel fragments, accidental contact with wheel and sparks that could ignite clothing.
4. **Wheels must be used only for recommended applications. For example: do not grind with the side of cut-off wheel.** Abrasive cut-off wheels are intended for peripheral grinding, side forces applied to these wheels may cause them to shatter.

5. **Always use undamaged wheel flanges that are of correct size and shape for your selected wheel.** Proper wheel flanges support the wheel thus reducing the possibility of wheel breakage. Flanges for cut-off wheels may be different from grinding wheel flanges.
6. **Do not use worn down wheels from larger power tools.** Wheel intended for larger power tool is not suitable for the higher speed of a smaller tool and may burst.

### Additional Safety Warnings Specific for Abrasive Cutting-Off Operations:

1. **Do not "jam" the cut-off wheel or apply excessive pressure. Do not attempt to make an excessive depth of cut.** Overstressing the wheel increases the loading and susceptibility to twisting or binding of the wheel in the cut and the possibility of kickback or wheel breakage.
2. **Do not position your body in line with and behind the rotating wheel.** When the wheel, at the point of operation, is moving away from your body, the possible kickback may propel the spinning wheel and the power tool directly at you.
3. **When wheel is binding or when interrupting a cut for any reason, switch off the power tool and hold the power tool motionless until the wheel comes to a complete stop. Never attempt to remove the cut-off wheel from the cut while the wheel is in motion otherwise kickback may occur.** Investigate and take corrective action to eliminate the cause of wheel binding.
4. **Do not restart the cutting operation in the workpiece. Let the wheel reach full speed and carefully re-enter the cut.** The wheel may bind, walk up or kickback if the power tool is restarted in the workpiece.
5. **Support panels or any oversized workpiece to minimize the risk of wheel pinching and kickback.** Large workpieces tend to sag under their own weight. Supports must be placed under the workpiece near the line of cut and near the edge of the workpiece on both sides of the wheel.
6. **Use extra caution when making a "pocket cut" into existing walls or other blind areas.** The protruding wheel may cut gas or water pipes, electrical wiring or objects that can cause kickback.

### Safety Warnings Specific for Sanding Operations:

1. **Do not use excessively oversized sanding disc paper. Follow manufacturers recommendations, when selecting sanding paper.** Larger sanding paper extending beyond the sanding pad presents a laceration hazard and may cause snagging, tearing of the disc or kickback.

### Safety Warnings Specific for Wire Brushing Operations:

1. **Be aware that wire bristles are thrown by the brush even during ordinary operation. Do not overstress the wires by applying excessive load to the brush.** The wire bristles can easily penetrate light clothing and/or skin.
2. **If the use of a guard is recommended for wire brushing, do not allow any interference of the wire wheel or brush with the guard.** Wire wheel or brush may expand in diameter due to work load and centrifugal forces.

### Additional Safety Warnings:

1. When using depressed centre grinding wheels, be sure to use only fiberglass-reinforced wheels.
2. **NEVER USE Stone Cup type wheels with this grinder.** This grinder is not designed for these types of wheels and the use of such a product may result in serious personal injury.
3. Be careful not to damage the spindle, the flange (especially the installing surface) or the lock nut. Damage to these parts could result in wheel breakage.
4. Make sure the wheel is not contacting the workpiece before the switch is turned on.
5. Before using the tool on an actual workpiece, let it run for a while. Watch for vibration or wobbling that could indicate poor installation or a poorly balanced wheel.
6. Use the specified surface of the wheel to perform the grinding.
7. Do not leave the tool running. Operate the tool only when hand-held.
8. Do not touch the workpiece immediately after operation; it may be extremely hot and could burn your skin.
9. Do not touch accessories immediately after operation; it may be extremely hot and could burn your skin.
10. Observe the instructions of the manufacturer for correct mounting and use of wheels. Handle and store wheels with care.
11. Do not use separate reducing bushings or adaptors to adapt large hole abrasive wheels.
12. Use only flanges specified for this tool.
13. For tools intended to be fitted with threaded hole wheel, ensure that the thread in the wheel is long enough to accept the spindle length.
14. Check that the workpiece is properly supported.
15. Pay attention that the wheel continues to rotate after the tool is switched off.
16. If working place is extremely hot and humid, or badly polluted by conductive dust, use a short-circuit breaker (30 mA) to assure operator safety.
17. Do not use the tool on any materials containing asbestos.
18. When use cut-off wheel, always work with the dust collecting wheel guard required by domestic regulation.
19. Cutting discs must not be subjected to any lateral pressure.
20. Do not use cloth work gloves during operation. Fibers from cloth gloves may enter the tool, which causes tool breakage.
21. Make sure there are no electrical cables, water pipes, gas pipes etc. that could cause a hazard if damaged by use of the tool.

## SAVE THESE INSTRUCTIONS.

**⚠ WARNING:** DO NOT let comfort or familiarity with product (gained from repeated use) replace strict adherence to safety rules for the subject product. MISUSE or failure to follow the safety rules stated in this instruction manual may cause serious personal injury.

## FUNCTIONAL DESCRIPTION

**⚠ CAUTION:** Always be sure that the tool is switched off and unplugged before adjusting or checking function on the tool.

### Shaft lock

Press the shaft lock to prevent spindle rotation when installing or removing accessories.

► Fig.1: 1. Shaft lock

**NOTICE:** Never actuate the shaft lock when the spindle is moving. The tool may be damaged.

### Switch handle mounting positions

Only for model GA7080 / GA9080

**⚠ CAUTION:** Always make sure that the switch handle is locked in the desired position before operation.

The switch handle can be rotated to either 90° left or right to fit your work needs. First, unplug the tool. Press the lock button and rotate the switch handle to left or right fully. The switch handle will be locked in that position.

► Fig.2: 1. Motor housing 2. Lock button 3. Handle

### Switch action

**⚠ CAUTION:** Before plugging in the tool, always check to see that the switch trigger actuates properly and returns to the "OFF" position when released.

**⚠ CAUTION:** Make sure to switch off the tool in case of a blackout or accidental shut down such as unplugging of the power cord. Otherwise the tool will start unexpectedly when the power supply is recovered and cause an accident or personal injury.

There are three patterns of the switch action depending on country.

► Fig.3: 1. Switch trigger 2. Lock lever

### For tool with the lock-on switch

#### Country specific

**⚠ CAUTION:** Switch can be locked in "ON" position for ease of operator comfort during extended use. Apply caution when locking tool in "ON" position and maintain firm grasp on tool.

To start the tool, simply pull the switch trigger (in the B direction). Release the switch trigger to stop.

For continuous operation, pull the switch trigger (in the B direction) and then push in the lock lever (in the A direction).

To stop the tool from the locked position, pull the switch trigger fully (in the B direction), then release it.

## For tool with the lock-off switch

*Country specific (including Australia and New Zealand)*

To prevent the switch trigger from accidentally pulled, a lock lever is provided.

To start the tool, push in the lock lever (in the A direction) and then pull the switch trigger (in the B direction). Release the switch trigger to stop.

**NOTICE:** Do not pull the switch trigger hard without pressing in the lock lever. This can cause switch breakage.

## For tool with the lock-on and lock-off switch

*Country specific*

**CAUTION:** Switch can be locked in "ON" position for ease of operator comfort during extended use. Apply caution when locking tool in "ON" position and maintain firm grasp on tool.

To prevent the switch trigger from accidentally pulled, a lock lever is provided.

To start the tool, push in the lock lever (in the A direction) and then pull the switch trigger (in the B direction). Release the switch trigger to stop.

For continuous operation, push in the lock lever (in the A direction), pull the switch trigger (in the B direction) and then pull the lock lever (in the C direction).

To stop the tool from the locked position, pull the switch trigger fully (in the B direction), then release it.

**NOTICE:** Do not pull the switch trigger hard without pressing in the lock lever. This can cause switch breakage.

## Indication lamp

*Only for model GA7080 / GA7081 / GA9080 / GA9081*

► **Fig.4:** 1. Indication lamp

The indication lamp lights up green when the tool is plugged.

If the indication lamp does not light up, the mains cord or the controller may be defective.

The indication lamp lights up but the tool does not start even if the tool is switched on, the carbon brushes may be worn out, or the controller, the motor or the switch may be defective.

## Unintentional restart proof

*Only for model GA7080 / GA7081 / GA9080 / GA9081*

The tool does not start with the switch being lock-on even when the tool is plugged.

At this time, the indication lamp blinks in red to show the unintentional restart proof device is working.

To cancel the unintentional restart proof, return the switch to OFF position.

**NOTE:** Wait more than one second before restarting the tool when unintentional restart proof works.

## Soft start feature

*Only for model GA7080 / GA7081 / GA9080 / GA9081*

Soft start feature reduces starting reaction.

## ASSEMBLY

**CAUTION:** Always be sure that the tool is switched off and unplugged before carrying out any work on the tool.

### Installing side grip (handle)

**CAUTION:** Always be sure that the side grip is installed securely before operation.

**CAUTION:** You can install the side grip on the 3 holes. Install the side grip on one of the holes according to the operation.

Screw the side grip securely on the position of the tool as shown in the figure.

► **Fig.5**

### Installing or removing loop handle

*Optional accessory*

**CAUTION:** Always be sure the bolts on the loop handle is securely tightened before use.

**CAUTION:** Hold the gripping area of the loop handle specified in the figure. Also, keep the hand away from the metal part of the grinder during operation. Touching the metal part may result in electric shock, if the cutting attachment cuts live wire unexpectedly.

The loop handle can be more comfortable than the original side grip for some applications. To install the loop handle, mount it onto the tool as illustrated and tighten two bolts to fix it.

To remove the loop handle, follow the installation procedure in reverse.

► **Fig.6:** 1. Loop handle 2. Bolt 3. Gripping area

### Installing or removing wheel guard (For depressed center wheel, flap disc, flex wheel, wire wheel brush / abrasive cut-off wheel, diamond wheel)

**WARNING:** When using a depressed center wheel, flap disc, flex wheel or wire wheel brush, the wheel guard must be fitted on the tool so that the closed side of the guard always points toward the operator.

**WARNING:** When using an abrasive cut-off / diamond wheel, be sure to use only the special wheel guard designed for use with cut-off wheels.

(In some European countries, when using a diamond wheel, the ordinary guard can be used. Follow the regulations in your country.)

## For tool with locking screw type wheel guard

Mount the wheel guard with the protrusions on the wheel guard band aligned with the notches on the bearing box. Then rotate the wheel guard to such an angle that it can protect the operator according to work. Be sure to tighten the screw securely. To remove wheel guard, follow the installation procedure in reverse.

► **Fig.7:** 1. Wheel guard 2. Bearing box 3. Screw

## For tool with clamp lever type wheel guard

### Optional accessory

**⚠WARNING:** The wheel guard must be fitted on the tool so that the closed side of the guard always points toward the operator.

Loosen the nut, and then pull the lever in the direction of the arrow.

► **Fig.8:** 1. Nut 2. Lever

Mount the wheel guard with the protrusions on the wheel guard band aligned with the notches on the bearing box. Then rotate the wheel guard to such an angle that it can protect the operator according to work.

► **Fig.9:** 1. Wheel guard 2. Bearing box

► **Fig.10:** 1. Wheel guard

Securely tighten the nut using a spanner, and then close the lever in direction of the arrow to fasten the wheel guard. If the lever is too tight or too loose to fasten the wheel guard, open the lever and then loosen or tighten the nut using the spanner to adjust the tightening of the wheel guard band.

► **Fig.11:** 1. Nut 2. Lever

To remove wheel guard, follow the installation procedure in reverse.

## Installing or removing depressed center wheel or flap disc

### Optional accessory

**⚠WARNING:** When using a depressed center wheel or flap disc, the wheel guard must be fitted on the tool so that the closed side of the guard always points toward the operator.

**⚠CAUTION:** Make sure that the mounting part of the inner flange fits into the inner diameter of the depressed center wheel / flap disc perfectly. Mounting the inner flange on the wrong side may result in the dangerous vibration.

Mount the inner flange onto the spindle. Make sure to fit the dented part of the inner flange onto the straight part at the bottom of the spindle.

Fit the wheel / disc on the inner flange and screw the lock nut with its protrusion facing downward (facing towards the wheel).

► **Fig.12:** 1. Lock nut 2. Depressed center wheel 3. Inner flange 4. Mounting part

To tighten the lock nut, press the shaft lock firmly so that the spindle cannot revolve, then use the lock nut wrench and securely tighten clockwise.

► **Fig.13:** 1. Lock nut wrench 2. Shaft lock

To remove the wheel, follow the installation procedure in reverse.

## Installing or removing flex wheel

### Optional accessory

**⚠WARNING:** Always use supplied guard when flex wheel is on the tool. Wheel can shatter during use and guard helps to reduce chances of personal injury.

► **Fig.14:** 1. Lock nut 2. Flex wheel 3. Back up pad 4. Inner flange

Follow instructions for depressed center wheel but also use back up pad over wheel. See order of assembly on accessories page in this manual.

## Super Flange

### Optional accessory

Super Flange is a special accessory for model which is NOT equipped with a brake function.

Models with the letter F are standard-equipped with Super Flange. Only 1/3 of efforts needed to undo lock nut, compared with conventional type.

## Installing or removing Ezynut

### Optional accessory

Only for tools with M14 spindle thread.

**⚠CAUTION:** Do not use Ezynut with Super Flange. Those flanges are so thick that the entire thread cannot be retained by the spindle.

Mount inner flange, abrasive wheel and Ezynut onto the spindle so that Makita Logo on Ezynut faces outside.

► **Fig.15:** 1. Ezynut 2. Abrasive wheel 3. Inner flange 4. Spindle

Press shaft lock firmly and tighten Ezynut by turning the abrasive wheel clockwise as far as it turns.

► **Fig.16:** 1. Shaft lock

To loosen the Ezynut, turn the outside ring of Ezynut counterclockwise.

**NOTE:** Ezynut can be loosened by hand as long as the arrow points the notch. Otherwise a lock nut wrench is required to loosen it. Insert one pin of the wrench into a hole and turn Ezynut counterclockwise.

► **Fig.17:** 1. Arrow 2. Notch

► **Fig.18**

## Installing or removing abrasive disc

### Optional accessory

► **Fig.19:** 1. Sanding lock nut 2. Abrasive disc 3. Rubber pad

1. Mount the rubber pad onto the spindle.  
2. Fit the disc on the rubber pad and screw the sanding lock nut onto the spindle.

3. Hold the spindle with the shaft lock, and securely tighten the sanding lock nut clockwise with the lock nut wrench.

To remove the disc, follow the installation procedure in reverse.

**NOTE:** Use sander accessories specified in this manual. These must be purchased separately.

## Installing or removing abrasive cut-off / diamond wheel

### Optional accessory

**⚠ WARNING:** When using an abrasive cut-off / diamond wheel, be sure to use only the special wheel guard designed for use with cut-off wheels.

(In some European countries, when using a diamond wheel, the ordinary guard can be used. Follow the regulations in your country.)

**⚠ WARNING:** NEVER use cut-off wheel for side grinding.

Mount the inner flange onto the spindle.  
Fit the wheel / disc on the inner flange and screw the lock nut onto the spindle.

► **Fig.20:** 1. Lock nut 2. Abrasive cut-off wheel / diamond wheel 3. Inner flange 4. Wheel guard for abrasive cut-off wheel / diamond wheel

### For Australia and New Zealand

► **Fig.21:** 1. Lock nut 2. Outer flange 78 3. Abrasive cut-off wheel / diamond wheel 4. Inner flange 78 5. Wheel guard for abrasive cut-off wheel / diamond wheel

## Installing wire cup brush

### Optional accessory

**⚠ CAUTION:** Do not use brush that is damaged, or which is out of balance. Use of damaged brush could increase potential for injury from contact with broken brush wires.

► **Fig.22:** 1. Wire cup brush

Remove any accessories on spindle. Thread wire cup brush onto spindle and tighten with the wrench.

## Installing wire wheel brush

### Optional accessory

**⚠ CAUTION:** Do not use wire wheel brush that is damaged, or which is out of balance. Use of damaged wire wheel brush could increase potential for injury from contact with broken wires.

**⚠ CAUTION:** ALWAYS use guard with wire wheel brushes, assuring diameter of wheel fits inside guard. Wheel can shatter during use and guard helps to reduce chances of personal injury.

► **Fig.23:** 1. Wire wheel brush

Remove any accessories on spindle. Thread wire wheel brush onto spindle and tighten with the wrench.

## Installing dust collecting wheel guard

Dust collecting wheel guard for grinding (for model GA7080 / GA7081 / GA9080 / GA9081)

► **Fig.24:** 1. Lock nut 2. Cup-type diamond wheel 3. Hubbed cup-type diamond wheel 4. Inner flange 5. Dust collecting wheel guard 6. Bearing box

**⚠ WARNING:** Dust collecting wheel guard for grinding is only for use in grinding flat concrete with a cup-type diamond wheel. Do not use it with grinding stones or for any purpose other than mentioned.

Dust collecting wheel guard for cut-off (for model GA9080 / GA9081 / GA9082)

► **Fig.25**

**NOTE:** For information how to install the dust collecting cover, refer to the manual of the dust collecting cover.

## Connecting a vacuum cleaner

### Optional accessory

**⚠ WARNING:** Never vacuum metal particles generated by operation. Metal particles generated by such operation are so hot that they ignite dust and the filter inside the vacuum cleaner.

To avoid dusty environment caused by masonry cutting, use a dust collecting wheel guard and a vacuum cleaner.

Refer to the instruction manual attached to the dust collecting wheel guard for assembling and using it.

► **Fig.26:** 1. Dust collecting wheel guard for cut-off 2. Hose of the vacuum cleaner

## OPERATION

**⚠ WARNING:** It should never be necessary to force the tool. The weight of the tool applies adequate pressure. Forcing and excessive pressure could cause dangerous wheel breakage.

**⚠ WARNING:** ALWAYS replace wheel if tool is dropped while grinding.

**⚠ WARNING:** NEVER hit the workpiece with the wheel.

**⚠ WARNING:** Avoid bouncing and snagging the wheel, especially when working corners, sharp edges etc. This can cause loss of control and kickback.

**⚠ WARNING:** NEVER use tool with wood cutting blades and other saw blades. Such blades when used on a grinder frequently kick and cause loss of control leading to personal injury.

**⚠ WARNING:** Continued use of a worn-out wheel may result in wheel explosion and serious personal injury.



**⚠ CAUTION:** Never switch on the tool when it is in contact with the workpiece, it may cause an injury to operator.

**⚠ CAUTION:** Always wear safety goggles or a face shield during operation.

**⚠ CAUTION:** After operation, always switch off the tool and wait until the wheel has come to a complete stop before putting the tool down.

**⚠ CAUTION:** ALWAYS hold the tool firmly with one hand on housing and the other on the side grip (handle).

## Grinding and sanding operation

► Fig.27

Turn the tool on and then apply the wheel or disc to the workpiece. In general, keep the edge of the wheel or disc at an angle of about 15° to the workpiece surface. During the break-in period with a new wheel, do not work the grinder in forward direction or it may cut into the workpiece. Once the edge of the wheel has been rounded off by use, the wheel may be worked in both forward and backward direction.

## Operation with abrasive cut-off / diamond wheel

### Optional accessory

**⚠ WARNING:** Do not "jam" the wheel or apply excessive pressure. Do not attempt to make an excessive depth of cut. Overstressing the wheel increases the loading and susceptibility to twisting or binding of the wheel in the cut and the possibility of kickback, wheel breakage and overheating of the motor may occur.

**⚠ WARNING:** Do not start the cutting operation in the workpiece. Let the wheel reach full speed and carefully enter into the cut moving the tool forward over the workpiece surface. The wheel may bind, walk up or kickback if the power tool is started in the workpiece.

**⚠ WARNING:** During cutting operations, never change the angle of the wheel. Placing side pressure on the cut-off wheel (as in grinding) will cause the wheel to crack and break, causing serious personal injury.

**⚠ WARNING:** A diamond wheel shall be operated perpendicular to the material being cut.

For model GA7080 and GA9080, you can rotate the switch handle.

Usage example: operation with abrasive cut-off wheel with GA7080 / GA9080

► Fig.28

Usage example: operation with abrasive cut-off wheel with GA7081 / GA7082 / GA9081 / GA9082

► Fig.29

Usage example: operation with diamond wheel with GA7080 / GA9080

► Fig.30

Usage example: operation with diamond wheel with GA7081 / GA7082 / GA9081 / GA9082

► Fig.31

## Operation with wire cup brush

### Optional accessory

**⚠ CAUTION:** Check operation of brush by running tool with no load, insuring that no one is in front of or in line with brush.

**NOTICE:** Avoid applying too much pressure which causes over bending of wires when using the wire cup brush. It may lead to premature breakage.

Usage example: operation with wire cup brush

► Fig.32

## Operation with wire wheel brush

### Optional accessory

**⚠ CAUTION:** Check operation of wire wheel brush by running tool with no load, insuring that no one is in front of or in line with the wire wheel brush.

**NOTICE:** Avoid applying too much pressure which causes over bending of wires when using wire wheel brush. It may lead to premature breakage.

Usage example: operation with wire wheel brush

► Fig.33

# MAINTENANCE

**⚠ CAUTION:** Always be sure that the tool is switched off and unplugged before attempting to perform inspection or maintenance.

**NOTICE:** Never use gasoline, benzine, thinner, alcohol or the like. Discoloration, deformation or cracks may result.

To maintain product SAFETY and RELIABILITY, repairs, any other maintenance or adjustment should be performed by Makita Authorized or Factory Service Centers, always using Makita replacement parts.

**NOTE:** Do not loosen the screw on the cover. Otherwise the cover may be opened accidentally.

► Fig.34: 1. Screw

## Air vent cleaning

The tool and its air vents have to be kept clean. Regularly clean the tool's air vents or whenever the vents start to become obstructed.

► Fig.35: 1. Exhaust vent 2. Inhalation vent

# OPTIONAL ACCESSORIES

**⚠ CAUTION:** These accessories or attachments are recommended for use with your Makita tool specified in this manual. The use of any other accessories or attachments might present a risk of injury to persons. Only use accessory or attachment for its stated purpose.

If you need any assistance for more details regarding these accessories, ask your local Makita Service Center.

► Fig.36

-	180 mm	230 mm
1	Side grip / Loop handle	
2	Wheel guard for depressed center grinding wheel / flap disc / flex wheel / wire wheel brush	
3	Inner flange / Super flange *2	
4	Depressed center grinding wheel / Flap disc	
5	Lock nut / Ezynut *1*2	
6	Wheel guard for abrasive cut off wheel / diamond wheel *3	
7	Inner flange 78 (Australia and New Zealand only) *4	
8	Abrasive cut-off wheel / Diamond wheel	
9	Outer flange 78 (Australia and New Zealand only) *4	
10	Back up pad	
11	Flex wheel	
12	Rubber pad	
13	Abrasive disc	
14	Sanding lock nut	
15	Wire wheel brush	
16	Wire cup brush	
17	-	Side grip for dust collecting wheel guard
18	-	Dust collecting wheel guard for cut-off *4
19	-	Super Flange *2
20	-	Diamond wheel
21	Dust collecting wheel guard for offset diamond wheel	
22	Offset diamond wheel	
-	Lock nut wrench	
-	Dust cover attachment	

**NOTE:** \*1 Only for tools with M14 spindle thread.

**NOTE:** \*2 Do not use Super flange and Ezynut together.

**NOTE:** \*3 In some European countries, when using a diamond wheel, the ordinary guard can be used instead of the special guard covering the both side of the wheel. Follow the regulations in your country.

**NOTE:** \*4 Use Inner flange 78 and Outer flange 78 together. (Australia and New Zealand only)

**NOTE:** Some items in the list may be included in the tool package as standard accessories. They may differ from country to country.



## SPECIFIKATIONER

Modell:	GA7080	GA7081	GA7082	GA9080	GA9081	GA9082
Kapskivans diameter	180 mm			230 mm		
Max. skivtjocklek	7,2 mm			6,5 mm		
Spindelgånga	M14 eller M16 eller 5/8"					
Nominellt varvtal (n)	8 500 min <sup>-1</sup>			6 600 min <sup>-1</sup>		
Total längd	509 mm	461 mm		509 mm	461 mm	
Nettovikt	6,3 - 6,8 kg	6,1 - 6,6 kg	6,0 - 6,5 kg	6,5 - 8,6 kg	6,3 - 8,4 kg	6,2 - 8,3 kg
Säkerhetsklass	□/II					

- På grund av vårt pågående program för forskning och utveckling kan dessa specifikationer ändras utan föregående meddelande.
- Specifikationer kan variera mellan olika länder.
- Vikten kan variera beroende på tillbehören. Den lättaste och den tyngsta kombinationen enligt EPTA-procedur 01/2014 visas i tabellen.

### Avsedd användning

Maskinen är avsedd för slipning och kapning i trä och stenmaterial utan användning av vatten.

### Strömförsörjning

Maskinen får endast anslutas till elnät med samma spänning som anges på typplåten och med enfasig växelström. De är dubbelisolerade och får därför också anslutas i ojordade vägguttag.

### Avsedd för elnät med 220-250 V

#### Endast för modell GA7082/GA9082

Att starta och stänga av elektriska apparater medför spänningsvariationer. Om denna maskin används under ogynnsamma nätspänningsförhållanden kan funktioner hos annan utrustning påverkas negativt. I elnät med ett motstånd på högst 0,20 Ohm är det rimligt att anta att negativa effekter inte förekommer. Nätuttaget för den här enheten måste vara försett med trög säkring eller skyddsbytare.

### Buller

Den normala bullernivån för A-belastning är bestämd enligt EN60745-2-3:

Modell	Ljudtrycksnivå (L <sub>PA</sub> ) : (dB(A))	Ljudeffektnivå (L <sub>WA</sub> ) : (dB(A))	Måttolerans (K): (dB(A))
GA7080	91	102	3
GA7081	91	102	3
GA7082	91	102	3
GA9080	92	103	3
GA9081	92	103	3
GA9082	92	103	3

**OBS:** Det deklarerade bullervärdet har uppmätts i enlighet med standardtestmetoden och kan användas för jämförandet av en maskin med en annan.

**OBS:** Det deklarerade bulleremissionsvärdet kan också användas i en preliminär bedömning av exponering för vibration.

**⚠ VARNING:** Använd hörselskydd.

**⚠ VARNING:** Bulleremissionen under faktisk användning av maskinen kan skilja sig från det deklarerade värdet, beroende på hur maskinen används och särskilt vilken typ av arbetsstycke som behandlas.

**⚠ VARNING:** Var noga med att identifiera säkerhetsåtgärder för att skydda användaren, vilka är grundade på en uppskattning av graden av exponering för vibrationer under de faktiska användningsförhållandena, (ta, förutom avtryckartiden, med alla delar av användarcykeln i beräkningen, som till exempel tiden då maskinen är avstängd och när den går på tomgång).

## Vibration

Det totala vibrationsvärdet (treaxlad vektorsumma) bestämt enligt EN60745-2-3:

### Arbetsläge: planslipning med normalt sidohandtag

Modell	Vibrationsemission ( $a_{h, AG}$ ): ( $m/s^2$ )	Måttolerans (K): ( $m/s^2$ )
GA7080	5,6	1,5
GA7081	6,8	1,5
GA7082	6,8	1,5
GA9080	5,2	1,5
GA9081	6,3	1,5
GA9082	6,3	1,5

### Arbetsläge: planslipning med anti-vibrationssidohandtag

Modell	Vibrationsemission ( $a_{h, AG}$ ): ( $m/s^2$ )	Måttolerans (K): ( $m/s^2$ )
GA7080	5,9	1,5
GA7081	7,3	1,5
GA7082	7,3	1,5
GA9080	5,3	1,5
GA9081	5,4	1,5
GA9082	5,4	1,5

### Arbetsläge: skivslipning med normalt sidohandtag

Modell	Vibrationsemission ( $a_{h, AG}$ ): ( $m/s^2$ )	Måttolerans (K): ( $m/s^2$ )
GA7080	3,6	1,5
GA7081	3,2	1,5
GA7082	3,2	1,5
GA9080	2,5 $m/s^2$ eller lägre	1,5
GA9081	2,7	1,5
GA9082	2,7	1,5

### Arbetsläge: skivslipning med anti-vibrationssidohandtag

Modell	Vibrationsemission ( $a_{h, AG}$ ): ( $m/s^2$ )	Måttolerans (K): ( $m/s^2$ )
GA7080	3,9	1,5
GA7081	3,1	1,5
GA7082	3,1	1,5
GA9080	2,5 $m/s^2$ eller lägre	1,5
GA9081	3,1	1,5
GA9082	3,1	1,5

**OBS:** Det deklarerade totala vibrationsvärdet har uppmätts i enlighet med standardtestmetoden och kan användas för jämförandet av en maskin med en annan.

**OBS:** Det deklarerade totala vibrationsvärdet kan också användas i en preliminär bedömning av exponering för vibration.

**⚠ VARNING:** Vibrationsemissionen under faktisk användning av maskinen kan skilja sig från det deklarerade värdet, beroende på hur maskinen används och särskilt vilken typ av arbetsstycke som behandlas.

**⚠ VARNING:** Var noga med att identifiera säkerhetsåtgärder för att skydda användaren, vilka är grundade på en uppskattning av graden av exponering för vibrationer under de faktiska användningsförhållandena, (ta, förutom avtryckartiden, med alla delar av användarcykeln i beräkningen, som till exempel tiden då maskinen är avstängd och när den går på tomgång).

**⚠ VARNING:** Det deklarerade vibrationsmissionsvärdet används för maskinens huvudsakliga arbetsuppgifter. Om maskinen används för andra arbetsuppgifter kan däremot vibrationsmissionsvärdet bli annorlunda.

## Försäkran om överensstämmelse

### Gäller endast inom EU

Försäkran om överensstämmelse ingår i bilaga A till denna bruksanvisning.

## SÄKERHETSVARNINGAR

### Allmänna säkerhetsvarningar för maskiner

**⚠ VARNING** Läs alla säkerhetsvarningar, instruktioner, illustrationer och specifikationer som medföljer detta elverktyg. Underlåtenhet att följa alla instruktioner nedan kan leda till elstötar, brand och/eller allvarliga personskador.

### Spara alla varningar och instruktioner för framtida referens.

Termen "maskin" som anges i varningarna hänvisar till din eldrivna maskin (sladdansluten) eller batteridrivna maskin (sladdlös).

### Säkerhetsvarningar för slipmaskin

Säkerhetsvarningar för slipning, stålborstning eller abrasiv skärning:

1. Den här maskinen är utformad för att användas för slipning, stålborstning eller som skärverktyg. Läs alla säkerhetsvarningar, anvisningar, illustrationer och specifikationer som medföljer den här maskinen. Underlåtenhet att följa instruktionerna kan leda till elstötar, brand och/eller allvarliga personskador.
2. Den här maskinen rekommenderas inte för poleringsarbeten. Om maskinen används till andra arbeten än de avsedda, kan det orsaka fara och personskada.
3. Använd inte tillbehör som inte är särskilt tillverkade och rekommenderade av maskinens tillverkare. Även om ett tillbehör kan fästas på maskinen garanterar detta inte säker funktion.
4. Tillbehörets nominella varvtalet måste vara minst lika med det maximala varvtalet som anges på verktyget. Tillbehör som används över det nominella varvtalet kan gå sönder och orsaka skador.
5. Tillbehörets ytterdiameter och tjocklek måste vara anpassad till elverktygets kapacitetsklassning. Tillbehör i olämplig storlek kan inte skyddas eller styras tillräckligt väl.
6. Gångorna på tillbehör som monteras måste stämma överens med spindelgångorna på slipmaskinen. För tillbehör som monteras med fläns måste tillbehörets centrumhål passa i flänsens lokaliseringdiameter. Tillbehör som inte passar exakt på maskinens monteringsbeslag roterar ojämnt, vibrerar kraftigt och kan leda till att du förlorar kontrollen.
7. Använd inte ett skadat tillbehör. Kontrollera tillbehör som sliprondeller efter hack och sprickor, underlagsplattor efter sprickor, slitage och stålborstar efter lösa eller brutna trådar. Om du tappar maskinen eller ett tillbehör ska du kontrollera att det inte har uppstått några skador, eller så ska tillbehöret bytas ut mot ett oskadat. Efter kontroll och montering av tillbehöret ska du och åskådare hålla er borta från det roterande tillbehöret samtidigt som du kör maskinen på full fart utan last i en minut. Skadade tillbehör går normalt sönder under den här testtiden.
8. Använd personlig skyddsutrustning. Använd visir, korgglasögon eller skyddsglasögon beroende på arbetsuppgift. Använd vid behov dammskydd, hörselskydd, handskar och skyddsfrökläde som stoppar små bitar slipmaterial eller fragment från arbetsstycket. Ögonskyddet måste kunna stoppa flygande fragment som uppstår vid olika arbeten. Dammskyddet eller andningskyddet måste kunna filtrera partiklar som uppstår vid olika arbeten. Lång tid i kraftigt buller kan orsaka hörselskador.
9. Håll personer i omgivningen på säkert avstånd från arbetsområdet. Alla som befinner sig i arbetsområdet måste använda skyddsutrustning. Delar av arbetsstycket eller defekta tillbehör kan flyga iväg och orsaka skador utanför arbetsområdet.
10. Håll endast verktyget i de isolerade handtagen när du utför arbete där verktyget kan komma i kontakt med en dold elkabel eller med verktygets kabel. Om kapmaskinen kommer i kontakt med en strömförande ledning blir verktygets blottlagda metalldelar strömförande och kan ge användaren en elektrisk stöt.
11. Placera nätsladden på avstånd från det roterande tillbehöret. Om du förlorar kontrollen kan nätsladden kapas eller fastna och din hand eller arm kan dras in i det roterande verktyget.
12. Lägg aldrig elverktyget åt sidan förrän det har stannat helt. Det roterande tillbehöret kan gripa tag i underlaget och du kan förlora kontrollen över maskinen.
13. Kör inte verktyget samtidigt som du bär det. Oavsiktlig kontakt med det roterande tillbehöret kan leda till att det fastnar i dina kläder och dras in mot kroppen.
14. Rengör regelbundet verktygets ventilationsöppningar. Motorns fläkt suger in damm i höljet och överdriven ansamling av pulveriserad metall kan orsaka elektrisk fara.
15. Använd inte verktyget i närheten av lättantändliga material. Gnistor kan antända dessa material.
16. Använd inte tillbehör som kräver flytande kylvätskor. Att använda vatten eller andra flytande kylvätskor kan orsaka dödsfall eller elektriska stötar.

## Bakåtkast och relaterade varningar

Bakåtkast är en plötslig reaktion på fastnytt roterande hjul, underlagsplatta, borste eller annat tillbehör. Nyp och kärvning orsakar stegring av det roterande tillbehöret, och orsakar i sin tur att den okontrollerade maskinen tvingas i motsatt riktning vid kärvningspunkten.

Om till exempel en slipskiva fastnar i eller kläms fast av arbetsstycket kan skivans kapande kant gräva sig in i materialytan vid klämpunkten, vilket leder till att skivan klättrar eller kastas tillbaka. Skivan kan antingen hoppa mot eller från användaren, beroende på skivans rörelseriktning vid klämpunkten. Slipskivorna kan även gå sönder under dessa omständigheter.

Bakåtkast beror på ovarsamhet och/eller felaktiga arbetsrutiner, och kan undvikas genom att vidta nedanstående förebyggande åtgärder.

1. **Se till att hålla verktyget i ett fast grepp och placera kroppen och din arm på ett sätt som gör att du kan stå emot kraften från bakåtkast. Använd alltid ett extrahandtag, om sådant finns, för maximal kontroll vid bakåtkast eller vridrörelsen vid start.** Användaren kan kontrollera vridrörelsen eller krafterna vid bakåtkast om rätt försiktighetsåtgärder vidtas.
2. **Placera aldrig din hand nära det roterande tillbehöret.** Tillbehöret kan kastas bakåt över din hand.
3. **Ställ dig inte där maskinen kommer att förflytta sig i händelse av bakåtkast.** Bakåtkast driver verktyget i motsatt riktning till kapskivans rörelse vid kärvningspunkten.
4. **Var extra försiktig när du bearbetar hörn, vassa kanter osv. Undvik att studsas och stöta tillbehöret.** Hörn, skarpa kanter eller studsning har en tendens att klämma det roterande tillbehöret och orsaka förlorad kontroll eller bakåtkast.
5. **Montera inte en sågkedja, snidarblad eller ett tandat sågblad.** Sådana blad orsakar ofta bakåtkast och förlorad kontroll.

## Säkerhetsvarningar för slipning och abrasiv skärning:

1. **Använd endast de skivor som rekommenderas för din maskin och det särskilda sprängskyddet för skivan.** Skivor som inte tillverkas för maskinen kan inte skyddas tillräckligt och är inte tillförlitliga.
2. **Slipytan på nedsänkta skivor måste monteras under planet från sprängskyddets kant.** En felaktigt monterad skiva som sticker utanför planet från sprängskyddets kant är inte tillräckligt skyddad.
3. **Sprängskyddet måste vara ordentligt fäst vid maskinen och placerat för maximal säkerhet, så att minsta möjliga yta av skivan är öppen mot användare.** Sprängskyddet skyddar användaren mot trasiga skivdelar, oavsiktlig kontakt med skivan och gnistor som kan antända kläder.
4. **Kapskivorna får endast användas till rekommenderade arbetsuppgifter. Till exempel: Slipa inte med en kapskivas utsida.** Slipande kapskivor är avsedda för periferislipning. Sidokrafter kan spränga sådana skivor.
5. **Använd alltid oskadade skivflänsar i rätt storlek och form till din skiva.** Rätt skivflänsar stöder kapskivan och minskar risken för att skivan går sönder. Flänsar till kapskivor kan skilja sig från flänsar till slipskivor.

6. **Använd inte nedslitna skivor för större maskiner.** Skivor avsedda för större maskiner är inte lämpliga för mindre maskiners högre varvtal och kan spricka.

## Ytterligare särskilda säkerhetsvarningar för abrasiv skärning:

1. **"Pressa" inte skivan eller utsätt den för överdrivet tryck. Försök inte att göra ett alltför stort kapdjup.** Om kapskivan överbelastas ökar belastningen och risken för att skivan vrids eller fastnar i kapet samt risken för bakåtkast eller att skivan går sönder.
2. **Placera inte din kropp längs med eller bakom den roterande skivan.** När skivan rör sig ifrån dig, kan ett bakåtkast skicka den roterande skivan och maskinen mot dig.
3. **Om kapskivan kärvar eller om ett kap avbryts stänger du av elverktyget och håller det stilla tills skivan har stannat helt. Försök aldrig att ta ut kapskivan ur skäret när skivan är i rörelse, för att undvika bakåtkast.** Undersök och vidta korrigeringsåtgärder för att eliminera orsaken till att kapskivan fastnar.
4. **Starta inte om kapningen med verktyget kvar i arbetsstycket. Låt maskinen nå full hastighet och gå tillbaka i skäret.** Kapskivan kan fastna, vandra uppåt eller kastas bakåt om elverktyget startas om i arbetsstycket.
5. **Stötta långa eller stora arbetsstycken för att minimera risken för att kapskivan fastnar och kastas bakåt.** Stora arbetsstycken tenderar att svikta på grund av sin egen vikt. Stöd måste placeras under arbetsstycket nära såglinjen och nära arbetsstyckets kanter på båda sidorna om kapskivan.
6. **Var extra försiktig vid genomstickning i en befintlig vägg eller andra dolda utrymmen.** Den utskjutande kapskivan kan kapa gas- eller vattenledningar, elledningar eller föremål som kan orsaka bakåtkast.

## Säkerhetsvarningar särskilt vid slipning:

1. **Använd inte för stora slipskivor. Följ tillverkarens rekommendationer när du väljer slipskiva.** Större slippapper som sticker ut utanför underlaget ger risk för rivning och kan orsaka kärvning, rivning av skivan eller bakåtkast.

## Säkerhetsvarningar särskilt vid stålborstning:

1. **Var uppmärksam på att trådbitar kastas ut från borsten även vid normal användning. Överbelasta inte trådarna genom att anlägga onödigt stor kraft mot borsten.** Trådarna kan enkelt gå igenom tunnare klädsel och/eller huden.
2. **Om användning av skydd rekommenderas vid stålborstning får inte borsten skivas eller borsten gå emot skyddet.** Borstens diameter kan expandera på grund av belastningen eller centrifugalkraften.

## Ytterligare säkerhetsvarningar:

1. **Vid användning av nedsänkta center-rondeller ska endast glasfiberförstärkta rondeller användas.**
2. **ANVÄND ALDRIG sten-skålskivor med denna slipmaskin.** Denna slipmaskin är inte konstruerad för denna typ av skivor och användningen av dessa kan resultera i allvarig personskada.

3. Var försiktig så att inte spindeln, flänsen (i synnerhet monteringsytan) eller låsmuttern skadas. Skador på någon av dessa delar kan medföra att rondellen förstörs.
4. Se till att rondellen inte är i kontakt med arbetsstycket när du trycker på avtryckaren.
5. Låt verktyget vara igång en stund innan det används på arbetsstycket. Kontrollera att skivan inte vibrerar eller skakar, vilket kan innebära att den är felaktigt monterad eller dåligt balanserad.
6. Slipa endast med den del av rondellen som är avsedd för slipning.
7. Lämna inte maskinen igång. Använd endast maskinen när du håller den i händerna.
8. Rör inte vid arbetsstycket omedelbart efter arbetet. Det kan vara extremt varmt och orsaka brännskador.
9. Rör inte vid tillbehör omedelbart efter arbetet. Det kan vara extremt varmt och orsaka brännskador.
10. Följ tillverkarens anvisningar för korrekt montering och användning av rondeller. Hantera rondellerna varsamt och förvara dem på en säker plats.
11. Använd inte separata reducerhylsor eller adapterar för att kunna använda sliprondeller med större hål.
12. Använd endast flänsar som är avsedda för den här maskinen.
13. Kontrollera att gänglängden i rondellen är tillräckligt lång för spindellängden om rondellen är avsedd att gängas fast.
14. Kontrollera att arbetsstycket är ordentligt fastsatt.
15. Tänk på att rondellen fortsätter att rotera efter att maskinen stängts av.
16. Om arbetsplatsen är extremt varm och fuktig, eller har hög koncentration av elektriskt ledande damm, ska jordfelsbrytare (30 mA) användas för användarens säkerhet.
17. Använd inte maskinen för material som innehåller asbest.
18. Använd alltid föreskrivet dammuppsamlade sprängskydd när du arbetar med kapskiva.
19. Kapskivor får inte utsättas för sidokrafter.
20. Använd inte arbetshandskar i tyg när du arbetar med maskinen. Fibrer från tyghandskar kan komma in i maskinen och orsaka fel.
21. Se till att det inte finns några elkablar, vattenrör, gasledningar etc. som kan orsaka fara om de skadas av verktyget.

## SPARA DESSA ANVISNINGAR.

**⚠ VARNING:** GLÖM INTE att också fortsättningsvis strikt följa säkerhetsanvisningarna för maskinen även efter att du blivit van att använda den. Vid FELAKTIG HANTERING av maskinen eller om inte säkerhetsanvisningarna i denna bruksanvisning följs kan följden bli allvarliga personskador.

## FUNKTIONS BESKRIVNING

**⚠ FÖRSIKTIGT:** Se alltid till att maskinen är avstängd och nätsladden urdragen innan du justerar eller funktionskontrollerar maskinen.

### Spindellås

Tryck ned spindellåset för att förhindra att spindeln roterar när du monterar eller tar bort tillbehör.

► Fig.1: 1. Spindellås

**OBSERVERA:** Aktivera aldrig spindellåset medan spindeln rör sig. I annat fall kan maskinen skadas.

### Avtryckarhandtagets monteringslägen

Endast för modell GA7080/GA9080

**⚠ FÖRSIKTIGT:** Kontrollera alltid att avtryckarhandtaget är spärrat i önskat läge innan du startar verktyget.

Avtryckarhandtaget kan vridas 90° åt vänster eller höger beroende på vad som är lämpligt för arbetsuppgiften. Dra först ur verktygets kontakt ur vägguttaget. Tryck på låsknappen och vrid avtryckarhandtaget så långt det går åt vänster eller höger. Avtryckarhandtaget spärras i det läget.

► Fig.2: 1. Motorhus 2. Låsknapp 3. Handtag

### Avtryckarens funktion

**⚠ FÖRSIKTIGT:** Innan du ansluter maskinen till elnätet ska du kontrollera att avtryckaren fungerar och återgår till läget "OFF" när du släpper den.

**⚠ FÖRSIKTIGT:** Se till att stänga av verktyget vid strömavbrott eller oavsiktlig nedstängning, om t.ex. kontakten dras ut ur uttaget. I annat fall kommer verktyget starta när strömförsörjningen återupprättas och kan orsaka olycka eller personskada.

Avtryckaren har tre funktionsmönster beroende på land.

► Fig.3: 1. Avtryckare 2. Säkerhetsspärr

### Verktyg med låsknapp för kontinuerlig funktion

Landsspecifikt

**⚠ FÖRSIKTIGT:** Knappen kan låsas i läge "ON" för att underlätta användning när maskinen används under längre tid. Var försiktig när du låser maskinen i läget "ON", och fortsatt hålla ett stadigt grepp om maskinen.

Starta verktyget genom att trycka in avtryckaren (i riktning B). Släpp avtryckaren för att stoppa verktyget. För kontinuerlig funktion trycker du först in avtryckaren (i riktning B) och sedan säkerhetsspärren (i riktning A). Tryck in avtryckaren helt (i riktning B) och släpp den sedan för att avbryta det kontinuerliga läget.

## Verktyg med säkerhetsknapp

*Landsspecifikt (inkluderar Australien och Nya Zeeland)*

Säkerhetsspärren förhindrar oavsiktlig aktivering av verktyget. Starta verktyget genom att trycka in säkerhetsspärren (i riktning A) och sedan trycka in avtryckaren (i riktning B). Släpp avtryckaren för att stoppa verktyget.

**OBSERVERA:** Tryck inte in avtryckaren hårt utan att ha tryckt in säkerhetsspärren. Det kan göra att avtryckaren skadas.

## Verktyg med låsknapp för kontinuerlig funktion och säkerhetsknapp

*Landsspecifikt*

**FÖRSIKTIGT:** Knappen kan låsas in läge "ON" för att underlätta användning när maskinen används under längre tid. Var försiktig när du låser maskinen i läget "ON", och fortsätt hålla ett stadigt grepp om maskinen.

Säkerhetsspärren förhindrar oavsiktlig aktivering av verktyget.

Starta verktyget genom att trycka in säkerhetsspärren (i riktning A) och sedan trycka in avtryckaren (i riktning B). Släpp avtryckaren för att stoppa verktyget.

För kontinuerlig funktion startar du verktyget genom att trycka in säkerhetsspärren (i riktning A), trycka in avtryckaren (i riktning B) och sedan dra ut säkerhetsspärren (i riktning C).

Tryck in avtryckaren helt (i riktning B) och släpp den sedan för att avbryta det kontinuerliga läget.

**OBSERVERA:** Tryck inte in avtryckaren hårt utan att ha tryckt in säkerhetsspärren. Det kan göra att avtryckaren skadas.

## Indikatorlampa

*Endast för modell GA7080/GA7081/GA9080/GA9081*

► **Fig.4:** 1. Indikatorlampa

Den gröna indikatorlampan lyser när verktyget är inkopplat.

Om indikatorlampan inte tänds kan nätsladden eller styrningen vara defekt.

Om indikatorlampan tänds men verktyget inte startar även om det sätts på, kan kolborstarna vara utslitna eller så kan styrenheten, motorn eller strömbrytarknappen vara defekt.

## Spärr mot oavsiktlig omstart

*Endast för modell GA7080/GA7081/GA9080/GA9081*

Maskinen startar inte när avtryckaren är i låst läge även om den är ansluten till elnätet.

Om detta inträffar blinkar indikatorlampan rött för att visa att enheten för skydd mot oavsiktlig start fungerar. Inaktivera skyddet mot oavsiktlig start genom att återställa brytarknappen till OFF-läget.

**OBS:** Vänta i mer än en sekund innan du startar om verktyget när skyddet mot oavsiktlig start är i funktion.

## Mjukstartfunktion

*Endast för modell GA7080/GA7081/GA9080/GA9081*

Mjukstartfunktionen dämpar startchocken.

## MONTERING

**FÖRSIKTIGT:** Se alltid till att maskinen är avstängd och nätsladden urdragen innan maskinen repareras.

### Montera sidohandtaget

**FÖRSIKTIGT:** Kontrollera alltid att sidohandtaget sitter fast ordentligt innan arbetet påbörjas.

**FÖRSIKTIGT:** Du kan installera sidohandtaget i de 3 hålen. Installera sidohandtaget i ett av hålen beroende på avsedd användning.

Skruva fast sidohandtaget ordentligt på rätt plats på maskinen enligt figuren.

► **Fig.5**

### Montering eller demontering av loophandtag

*Valfria tillbehör*

**FÖRSIKTIGT:** Se alltid till att loophandtags bultar är ordentligt åtdragna innan användning.

**FÖRSIKTIGT:** Håll i loophandtags greppyta enligt bilden. Håll även handen borta från slipmaskinens metalldelar vid användning. Att vidröra metalldelarna kan leda till elstötar om skärtillsatsen oväntat kapar spänningsförande elkablar.

Loophandtaget kan vara bekvämare än originalsido-handtaget för vissa användningsområden. Installera loophandtaget genom att montera det på verktyget enligt bilden och dra åt de två bultarna.

För att ta bort loophandtaget följer du monteringsinstruktionerna i omvänd ordning.

► **Fig.6:** 1. Loophandtag 2. Bult 3. Greppyta

### Montering eller demontering av sprängskydd (för rondell med försänkt navrondell, lamellslipskiva, flexibel rondell, skivstålborste/kapskiva, diamantskiva)

**VARNING:** När en sliprondell med försänkt nav, lamellslipskiva, flexibel rondell eller skivstålborste används måste sprängskyddet monteras på maskinen så att den slutna sidan alltid är vänd mot användaren.

**VARNING:** Vid användning av en kap-/diamantskiva ska du vara noga med att endast använda det speciella sprängskydd som är avsett för användning tillsammans med kapskivor.

(I vissa europeiska länder kan det vanliga sprängskyddet användas tillsammans med diamantskivan. Följ föreskrifterna i ditt land.)



## För maskin med sprängskydd och låsskruv

Montera sprängskyddet så att de utskjutande delarna på sprängskyddets band passar in i uttagen på lagerhuset. Vrid sedan sprängskyddet så att det skyddar användaren i arbetet med maskinen. Dra åt skruven ordentligt. Gör på omvänt sätt för att ta bort sprängskyddet.

► **Fig.7:** 1. Sprängskydd 2. Lagerhus 3. Skruv

## För maskin med sprängskydd och klämspak

*Valfria tillbehör*

**⚠ VARNING:** Sprängskyddet måste monteras på verktyget så att den slutna sidan alltid är vänd mot användaren.

Lossa muttern och dra sedan spärren i pilens riktning.

► **Fig.8:** 1. Mutter 2. Spår

Montera sprängskyddet så att de utskjutande delarna på sprängskyddets band passar in i uttagen på lagerhuset. Vrid sedan sprängskyddet så att det skyddar användaren i arbetet med maskinen.

► **Fig.9:** 1. Sprängskydd 2. Lagerhus

► **Fig.10:** 1. Sprängskydd

Dra åt muttern ordentligt med en skiftnyckel och stäng sedan spaken i pilens riktning för att fästa sprängskyddet. Om spaken sitter för löst eller för hårt för att kunna fästa sprängskyddet, öppna spaken och sedan lossa eller dra dr ut åt muttern med skiftnyckeln för att justera sprängskyddets spännband.

► **Fig.11:** 1. Mutter 2. Spak

Gör på omvänt sätt för att ta bort sprängskyddet.

## Montera eller ta bort sliprondell med försänkt nav eller lamellslipskiva

*Valfria tillbehör*

**⚠ VARNING:** När en sliprondell med försänkt nav eller lamellslipskiva används, måste sprängskyddet monteras på maskinen så att den slutna sidan alltid är vänd mot användaren.

**⚠ FÖRSIKTIGT:** Se till att den monterade delen av den inre flänsen passar perfekt in i den inre diametern av den försänkta navrondellen/lamellskivan. Montering av den inre flänsen på fel sida kan leda till farliga vibrationer.

Montera den inre flänsen på spindeln.

Se till att den buktade delen av den inre flänsen monteras på den raka delen längst ned på spindeln.

Passa in rondellen/skivan på innerflänsen och skruva på låsmuttern så att den utskjutande delen pekar nedåt (i riktning mot rondellen).

► **Fig.12:** 1. Låsmutter 2. Försänkt navrondell 3. Inre fläns 4. Monteringsdel

Tryck in spindelläset ordentligt för att dra fast låsmuttern så att spindeln inte kan rotera. Använd sedan tappnyckeln för att dra åt ytterligare.

► **Fig.13:** 1. Tappnyckel för låsmutter 2. Spindellås

Gör på omvänt sätt för att ta bort rondellen.

## Montera eller ta bort flexibel rondell

*Valfria tillbehör*

**⚠ VARNING:** Använd alltid det medföljande skyddet när en flexibel rondell är monterad på maskinen. Skivan kan splittras under användningen och skyddet minskar risken för personskador.

► **Fig.14:** 1. Låsmutter 2. Flexibel rondell 3. Stödplatta 4. Inre fläns

Följ anvisningarna för försänkt navrondell, men använd även en stödplatta över skivan. Se monteringssekvensen på tillbehörssidan i denna bruksanvisning.

## Superfläns

*Valfria tillbehör*

Superflänsar är specialtillbehör för modeller som INTE är utrustade med en bromsfunktion.

Modeller med bokstaven F är utrustade med en superfläns som standard. Endast 1/3 ansträngning behövs för att lossa muttern jämfört med konventionell typ.

## Montering eller demontering av Ezynut

*Valfria tillbehör*

*Endast för maskiner med M14-spindelgänga.*

**⚠ FÖRSIKTIGT:** Använd inte Ezynut med en superfläns. Dessa flänsar är så tjocka att hela gångan inte kan hållas kvar av spindeln.

Montera innerflänsen, slipskivan och Ezynut på spindeln så att Makitas logotyp på Ezynut är vänd utåt.

► **Fig.15:** 1. Ezynut 2. Sliprondell 3. Inre fläns 4. Spindel

Tryck in spindelläset och dra åt Ezynut genom att vrida slipskivan medurs så långt som den går att vrida.

► **Fig.16:** 1. Spindellås

Vrid ytterringen på Ezynut moturs för att lossa Ezynut.

**OBS:** Ezynut kan lossas för hand så länge som pilen är riktad mot skåran. Annars behövs det en tappnyckel för att lossa den. Sätt i en av tappnyckelns stift i ett av hålen och vrid Ezynut moturs.

► **Fig.17:** 1. Pii 2. Spår

► **Fig.18**

## Montera eller ta bort sliprondell

*Valfria tillbehör*

► **Fig.19:** 1. Låsmutter för slipning 2. Sliprondell 3. Gummidyna

1. Fäst gummidynan på spindeln.
2. Passa in rondellen över gummidynan och skruva fast låsmuttern för slipning på spindeln.
3. Håll i spindeln med spindelläset och dra åt låsmuttern för slipning ordentligt med tappnyckeln.

Följ monteringsanvisningarna i omvänd ordning för att ta bort rondellen.

**OBS:** Använd endast slipningstillbehör som specificeras i denna bruksanvisning. Dessa måste köpas separat.

## Användning av kap-/diamantskiva

### Valfria tillbehör

**⚠ VARNING:** Vid användning av en kap-/diamantskiva ska du vara noga med att endast använda det speciella sprängskydd som är avsett för användning tillsammans med kapskivor.

(I vissa europeiska länder kan det vanliga sprängskyddet användas tillsammans med diamantskivan. Följ föreskrifterna i ditt land.)

**⚠ VARNING:** Använd ALDRIG kapskivor för sidoslipning.

Montera den inre flänsen på spindeln. Passa in rondellen/skivan på innerflänsen och skruva på låsmuttern på spindeln.

► **Fig.20:** 1. Låsmutter 2. Kap-/diamantskiva 3. Inre fläns 4. Sprängskydd för kap-/diamantskiva

### För Australien och Nya Zeeland

► **Fig.21:** 1. Låsmutter 2. Yttre fläns 78 3. Kap-/diamantskiva 4. Inre fläns 78 5. Sprängskydd för kap-/diamantskiva

## Installation av skålförmad stålborste

### Valfria tillbehör

**⚠ FÖRSIKTIGT:** Använd inte en borste som är skadad eller obalanserad. Användning av en skadad borste kan öka risken för skador på grund av kontakt med trasiga borstrådar.

► **Fig.22:** 1. Skålförmad stålborste

Ta bort eventuella tillbehör på spindeln. Trä den skålförmade stålborsten på spindeln och dra åt med skruvnyckeln.

## Installation av skivstålborste

### Valfria tillbehör

**⚠ FÖRSIKTIGT:** Använd inte en skivstålborste som är skadad eller obalanserad. Användning av en skadad skivstålborste kan öka risken för skador på grund av kontakt med trasiga borstrådar.

**⚠ FÖRSIKTIGT:** Använd ALLTID skydd tillsammans med skivstålborstar och kontrollera att skivdiametern passar innanför skyddet. Skivan kan splittras under användningen och skyddet minskar risken för personskador.

► **Fig.23:** 1. Skivstålborste

Ta bort eventuella tillbehör på spindeln. Montera skivstålborsten på spindeln och dra åt med skruvnyckeln.

## Installera det dammupsamlade sprängskyddet

Dammupsamlade sprängskydd för slipning (för modell GA7080/GA7081/GA9080/GA9081)

► **Fig.24:** 1. Låsmutter 2. Diamantskiva av kopptyp 3. Diamantskiva av navkapseltyp 4. Inre fläns 5. Dammupsamlade sprängskydd 6. Lagerhus

**⚠ VARNING:** Det dammupsamlade sprängskyddet för slipning används endast för slipning i platt betong med diamantskiva av kopptyp. Använd det inte med slipstenar eller i något annat syfte än det angivna.

Dammupsamlade sprängskydd för kapning (för modell GA9080/GA9081/GA9082)

► **Fig.25**

**OBS:** Information om hur man installerar det dammupsamlade höljet finns i dess bruksanvisning.

## Ansluta en dammsugare

### Valfria tillbehör

**⚠ VARNING:** Dammsug aldrig upp metallpartiklar som bildas vid körning. Metallpartiklar som bildas av sådan bearbetning är så heta att de kan antända filtret inne i dammsugaren.

Använd ett sprängskydd med dammupsamlare och en dammsugare för att undvika dammiga miljöer orsakade av sågning i trä. Se bruksanvisningen som är fäst på sprängskyddets dammupsamlare för montering och användning.

► **Fig.26:** 1. Dammupsamlade sprängskydd för kapning 2. Slang på dammsugare

## ANVÄNDNING

**⚠ VARNING:** Tänk på att aldrig tvinga maskinen. Maskinens vikt ska utgöra ett tillräckligt tryck. Tvång eller överdrivet tryck kan resultera i farliga rondellbrott.

**⚠ VARNING:** Byt ALLTID ut rondellen om den har tappats under slipning.

**⚠ VARNING:** Slå ALDRIG med rondellen på arbetsstycket.

**⚠ VARNING:** Undvik att studsas eller hackas med rondeller, i synnerhet i närheten av hörn, skarpa kanter osv. Det är lätt att i dessa situationer förlora kontrollen över maskinen så att den kastas bakåt.

**⚠ VARNING:** Använd ALDRIG maskinen med sågklingor avsedda för trä eller andra sågblad. Att använda sådana klingor i slipmaskiner innebär stor risk för bakåtkast som kan förorsaka personskador.

**⚠ VARNING:** Fortsatt användning av en utsliten skiva kan leda till att skivan exploderar och till allvarlig personskada.



**⚠ FÖRSIKTIGT:** Starta aldrig maskinen när denna är i kontakt med arbetsstycket. Det kan orsaka personskador.

**⚠ FÖRSIKTIGT:** Använd alltid skyddsglasögon eller visir under arbetet.

**⚠ FÖRSIKTIGT:** När du är klar med arbetet ska du vänta tills rondellen stannat helt innan du lägger maskinen åt sidan.

**⚠ FÖRSIKTIGT:** Håll ALLTID maskinen i ett fast grepp med ena handen på huset och den andra på sidohandtaget.

## Slipning av trä och metall

### ► Fig.27

Starta maskinen och för rondellen eller skivan mot arbetsstycket.

I allmänhet är det lämpligt att hålla kanten på skivan/ rondellen i ungefär 15° vinkel mot arbetsstycket. Under inkörning av en ny skiva/rondell ska slipmaskinen inte föras i en framåtriktning eftersom den då kan köra fast i arbetsstycket. När kanten på skivan/rondellen har rundats av kan den användas i båda riktningarna (framåt och bakåt).

## Användning av kap-/diamantskiva

### Valfria tillbehör

**⚠ VARNING:** "Pressa" inte skivan eller utsätt den för överdrivet tryck. Försök inte att göra ett alltför stort kapdjup. Överbelastning av skivan ökar trycket och risken för att skivan vrids eller fastnar i skäret vilket kan orsaka bakåtkast, sprucken skiva och överhettad motor.

**⚠ VARNING:** Starta inte skärningen med maskinen i arbetsstycket. Låt skivan komma upp i full hastighet och för den försiktigt in i skäret genom att föra maskinen framåt över arbetsstyckets yta. Kapskivan kan fastna, vandra uppåt eller kastas bakåt om elverktyget startas om i arbetsstycket.

**⚠ VARNING:** Under skärningen får skivans vinkel aldrig ändras. Sidotryck på kapskivan (som vid slipning) medför att skivan spricker och sprängs, vilket kan leda till svåra personskador.

**⚠ VARNING:** En diamantskiva ska arbetas vinkelrätt mot det material som ska kapas.

För modell GA7080 och GA9080 kan du vrida på avtryckarhandtaget.

**Användningsexempel:** körning med slipande kapskiva med GA7080/GA9080

### ► Fig.28

**Användningsexempel:** körning med slipande kapskiva med GA7081/GA7082/GA9081/GA9082

### ► Fig.29

**Användningsexempel:** körning med diamantskiva med GA7080/GA9080

### ► Fig.30

**Användningsexempel:** körning med diamantskiva med GA7081/GA7082/GA9081/GA9082

### ► Fig.31

## Användning av den skålformade stålborsten

### Valfria tillbehör

**⚠ FÖRSIKTIGT:** Kontrollera hur borsten fungerar genom att köra maskinen utan belastning och försäkra dig om att ingen finns framför eller i linje med borsten.

**OBSERVERA:** Undvik att använda för mycket tryck vilket gör att trådarna böjs för mycket vid användning av den skålformade stålborsten. Det kan leda till förtida slitage.

**Användningsexempel:** användning med skålformad stålborste

### ► Fig.32

## Användning av skivstålborsten

### Valfria tillbehör

**⚠ FÖRSIKTIGT:** Kontrollera hur skivstålborsten fungerar genom att köra maskinen utan belastning och försäkra dig om att ingen finns framför eller i linje med skivstålborsten.

**OBSERVERA:** Undvik att använda för mycket tryck vilket gör att trådarna böjs för mycket vid användning av skivstålborsten. Det kan leda till att borsten förbrukas i förtid.

**Användningsexempel:** användning med skivstålborste

### ► Fig.33

## UNDERHÅLL

**⚠ FÖRSIKTIGT:** Se alltid till att maskinen är avstängd och nätkabeln urdragen innan inspektion eller underhåll utförs.

**OBSERVERA:** Använd inte bensin, förtunningsmedel, alkohol eller liknande. Missfärgning, deformation eller sprickor kan uppstå.

För att upprätthålla produktens SÄKERHET och TILLFÖRLITLIGHET bör allt underhålls- och justeringsarbete utföras av ett auktoriserat Makita servicecenter och med reservdelar från Makita.

**OBS:** Lossa inte skruven på locket. Det kan leda till att locket öppnas av misstag.

### ► Fig.34: 1. Skruv

## Rengöring av ventilationsöppningar

Håll maskinen och luftventilerna rena. Rengör maskinens ventiler regelbundet eller så snart ventilationen försämrats.

### ► Fig.35: 1. Utblås 2. Inlopp

# VALFRIA TILLBEHÖR

**⚠ FÖRSIKTIGT: Följande tillbehör eller tillsatser rekommenderas för användning med den Makita-maskin som denna bruksanvisning avser.** Om andra tillbehör eller tillsatser används kan det uppstå risk för personsador. Använd endast tillbehören eller tillsatserna för de syften de är avsedda för.

Kontakta ditt lokala Makita servicecenter om du behöver ytterligare information om dessa tillbehör.

► Fig.36

	180 mm	230 mm
1	Sidohandtag/loophandtag	
2	Sprängskydd för försänkt navrondell/lamellskiva/flexibel rondell/skivstålborste	
3	Inre fläns/superfläns *2	
4	Försänkt navrondell/lamellskiva	
5	Låsmutter/Ezynut *1*2	
6	Sprängskydd för slipande kapskiva/diamantskiva *3	
7	Inre fläns 78 (endast för Australien och Nya Zeeland) *4	
8	Slipande kapskiva/diamantskiva	
9	Yttre fläns 78 (endast för Australien och Nya Zeeland) *4	
10	Stödplatta	
11	Flexibel rondell	
12	Gummidyna	
13	Sliprondell	
14	Låsmutter för slipning	
15	Skivstålborste	
16	Skålformad stålborste	
17	-	Sidohandtag för dammuppsamlade sprängskydd
18	-	Dammuppsamlade sprängskydd för kapning *4
19	-	Superfläns *2
20	-	Diamantskiva
21	Dammuppsamlade sprängskydd för offset-diamantskiva	
22	Offset-diamantskiva	
-	Tappnyckel för låsmutter	
-	Dammskyddstillbehör	

**OBS: \*1** Endast för verktyg med M14-spindelgänga.

**OBS: \*2** Använd inte superfläns och Ezynut tillsammans.

**OBS: \*3** I vissa europeiska länder kan det vanliga sprängskyddet användas tillsammans med diamantskivan istället för det speciella sprängskyddet som täcker båda sidorna av skivan. Följ föreskrifterna i ditt land.

**OBS: \*4** Använd inre fläns 78 och yttre fläns 78 tillsammans. (Endast Australien och Nya Zeeland)

**OBS:** Några av tillbehören i listan kan vara inkluderade i maskinpaketet som standardtillbehör. De kan variera mellan olika länder.

## TEKNISKE DATA

Modell:	GA7080	GA7081	GA7082	GA9080	GA9081	GA9082
Hjuldiameter	180 mm			230 mm		
Maks. hjultykkelse	7,2 mm			6,5 mm		
Spindelgjenger	M14 eller M16 eller 5/8"					
Angitt hastighet (n)	8 500 min <sup>-1</sup>			6 600 min <sup>-1</sup>		
Total lengde	509 mm	461 mm		509 mm	461 mm	
Nettovekt	6,3 – 6,8 kg	6,1 – 6,6 kg	6,0 – 6,5 kg	6,5 – 8,6 kg	6,3 – 8,4 kg	6,2 – 8,3 kg
Sikkerhetsklasse	□/II					

- På grunn av vårt kontinuerlige forsknings- og utviklingsprogram kan spesifikasjonene som oppgis i dette dokumentet endres uten varsel.
- Spesifikasjonene kan variere fra land til land.
- Vekten kan variere avhengig av tilbehøret/tilbehørene. Den letteste og tyngste kombinasjonen, i henhold til EPTA-prosedyre 01/2014, vises i tabellen.

### Riktig bruk

Maskinen er beregnet på sliping, pussing og kutting av metall og steinmaterialer uten bruk av vann.

### Strømforsyning

Maskinen må bare kobles til en strømkilde med samme spenning som vist på typeskiltet, og kan bare brukes med enfase-vekselstrømforsyning. Den er dobbelt verneisoleret og kan derfor også brukes fra kontakter uten jording.

### For offentlige lavspenningsnett på mellom 220 V og 250 V

#### Kun for modell GA7082/GA9082

Inn- og utkobling av elektriske apparater forårsaker spenningsvariasjoner. Bruken av dette apparatet under uheldige forhold i strømmettet kan ha negative virkninger på bruken av annet utstyr. Når strømmettimpedansen er lik eller lavere enn 0,20 ohm, er det grunn til å anta at ingen negative virkninger vil oppstå. Nettuttaket som brukes til dette apparatet må være beskyttet av en treg sikring eller et tregt overlastvern.

### Støy

Typisk A-vektet lydtryknivå er bestemt i henhold til EN60745-2-3:

Modell	Lydtryknivå (L <sub>PA</sub> ): (dB(A))	Lydeffektnivå (L <sub>WA</sub> ): (dB(A))	Usikkerhet (K): (dB(A))
GA7080	91	102	3
GA7081	91	102	3
GA7082	91	102	3
GA9080	92	103	3
GA9081	92	103	3
GA9082	92	103	3

**MERK:** Den/de oppgitte verdien(e) for genererte vibrasjoner har blitt målt i henhold til standard testmetoder, og kan bli brukt til å sammenligne ett verktøy med et annet.

**MERK:** Den/de angitte verdien(e) for de genererte vibrasjonene kan også brukes til en foreløpig vurdering av eksponeringen.

**⚠ ADVARSEL:** Bruk hørselsvern.

**⚠ ADVARSEL:** De genererte vibrasjonene ved faktisk bruk av elektroverktøyet kan avvike fra den/de angitte vibrasjonsverdien(e), avhengig av hvordan verktøyet brukes.

**⚠ ADVARSEL:** Sørg for å identifisere vernetiltak for å beskytte operatøren, som er basert på et estimat av eksponeringen under de faktiske bruksforholdene (idet det tas hensyn til alle deler av driftssyklusen, dvs. hvor lenge verktøyet er slått av, hvor lenge det går på tomgang og hvor lenge startbryteren faktisk holdes trykket).

# Vibrasjoner

Den totale vibrasjonsverdien (triaksial vektorsum) bestemt i henhold EN60745-2-3:

## Arbeidsmåte: Overflatesliping med normalt støttehåndtak

Modell	Generert vibrasjon ( $a_{hv, AG}$ ) : (m/s <sup>2</sup> )	Usikkerhet (K): (m/s <sup>2</sup> )
GA7080	5,6	1,5
GA7081	6,8	1,5
GA7082	6,8	1,5
GA9080	5,2	1,5
GA9081	6,3	1,5
GA9082	6,3	1,5

## Arbeidsmåte: Overflatesliping med vibrasjonssikkert støttehåndtak

Modell	Generert vibrasjon ( $a_{hv, AG}$ ) : (m/s <sup>2</sup> )	Usikkerhet (K): (m/s <sup>2</sup> )
GA7080	5,9	1,5
GA7081	7,3	1,5
GA7082	7,3	1,5
GA9080	5,3	1,5
GA9081	5,4	1,5
GA9082	5,4	1,5

## Arbeidsmåte: Plansliping med normalt støttehåndtak

Modell	Generert vibrasjon ( $a_{hv, AG}$ ) : (m/s <sup>2</sup> )	Usikkerhet (K): (m/s <sup>2</sup> )
GA7080	3,6	1,5
GA7081	3,2	1,5
GA7082	3,2	1,5
GA9080	2,5 m/s <sup>2</sup> eller mindre	1,5
GA9081	2,7	1,5
GA9082	2,7	1,5

## Arbeidsmåte: Plansliping med vibrasjonssikkert støttehåndtak

Modell	Generert vibrasjon ( $a_{hv, AG}$ ) : (m/s <sup>2</sup> )	Usikkerhet (K): (m/s <sup>2</sup> )
GA7080	3,9	1,5
GA7081	3,1	1,5
GA7082	3,1	1,5
GA9080	2,5 m/s <sup>2</sup> eller mindre	1,5
GA9081	3,1	1,5
GA9082	3,1	1,5

**MERK:** Den/de oppgitte verdien(e) for totalt genererte vibrasjoner har blitt målt i henhold til standard testmetoder, og kan bli brukt til å sammenligne ett verktøy med et annet.

**MERK:** Den/de angitte verdien(e) for totalt genererte vibrasjoner kan også brukes til en foreløpig vurdering av eksponeringen.

**⚠ ADVARSEL:** De genererte vibrasjonene ved faktisk bruk av elektroverktøyet kan avvike fra den/de angitte vibrasjonsverdien(e), avhengig av hvordan verktøyet brukes og spesielt i forhold til arbeidsstykket som blir behandlet.

**⚠ ADVARSEL:** Sørg for å identifisere vernetiltak for å beskytte operatøren, som er basert på et estimat av eksponeringen under de faktiske bruksforholdene (idet det tas hensyn til alle deler av driftssyklusen, dvs. hvor lenge verktøyet er slått av, hvor lenge det går på tomgang og hvor lenge startbryteren faktisk holdes trykket).

**⚠ ADVARSEL:** Den oppgitte verdien for genererte vibrasjoner brukes for hovedbruksområdene for elektroverktøyet. Hvis verktøyet brukes til andre formål, kan verdien for de genererte vibrasjonene være en annen.

## Samsvarserklæringer

### Gjelder kun for land i Europa

Samsvarserklæringene er lagt til som vedlegg A i denne bruksanvisningen.

## SIKKERHETSADVARSEL

### Generelle advarsler angående sikkerhet for elektroverktøy

**⚠ADVARSEL** Les alle sikkerhetsadvarsler, instruksjoner, illustrasjoner og spesifikasjoner som følger med dette elektroverktøyet. Hvis ikke alle instruksjonene nedenfor følges, kan det føre til elektrisk støt, brann og/eller alvorlig personskade.

### Oppbevar alle advarsler og instruksjoner for senere bruk.

Uttrykket «elektrisk verktøy» i advarslene refererer både til elektriske verktøy (med ledning) tilkoblet strømmettet, og batteridrevne verktøy (uten ledning).

### Sikkerhetsanvisninger for vinkelsliper

Vanlige sikkerhetsadvarsler for sliping, pussing, stålborsting og kapping :

1. Dette elektriske verktøyet er beregnet for sliping, pussing, stålborsting og kapping. Les alle sikkerhetsadvarsler, instruksjoner, illustrasjoner og spesifikasjoner som følger med dette elektroverktøyet. Hvis ikke alle instruksjonene nedenfor følges, kan det forekomme elektrisk støt, brann og/eller alvorlig skade.
2. Polering bør ikke utføres med dette verktøyet. Bruk av verktøyet til noe annet enn det er beregnet for, kan medføre fare og forårsake personskade.
3. Ikke bruk tilbehør som ikke er spesielt beregnet og anbefalt av verktøyprodusenten. Det at tilbehøret kan monteres på verktøyet, betyr ikke at det er trygt å bruke.
4. Angitt hastighet for tilbehøret må være minst like høy som største angitte hastighet på elektroverktøyet. Tilbehør som kjøres med større hastighet enn det som er angitt, kan gå i stykker og slynges ut.
5. Den ytre diametere og tykkelsen på tilbehøret må ligge innenfor den angitte kapasiteten for elektroverktøyet. Tilbehør i feil størrelse kan ikke sikres eller kontrolleres fullgodt.
6. Gjengent montering av tilbehør må samsvare med gjengen på sliperen. For tilbehør montert med flenser, må spindelhullet på tilbehøret passe til med diametere på flensen. Tilbehør som ikke passer til monteringsmekanismen på verktøyet vil komme ut av balanse, vibrere sterkt og kan forårsake at du mister kontrollen.

7. Ikke bruk skadet tilbehør. Før bruk må du undersøke om tilbehør som slipeskiver har hakk eller sprekker, om bakrondeller har sprekker eller er slitt og om stålborster har løse eller ødelagte tråder. Hvis det elektriske verktøyet eller tilbehøret mistes, må du undersøke om det har oppstått skade og eventuelt skifte det ut med uskadd tilbehør. Når et tilbehør er undersøkt og montert, skal du plassere deg selv og andre utenfor tilbehørets rotasjonsplan og kjøre verktøyet på maksimal hastighet, uten belastning, i ett minutt. Skadd tilbehør vil vanligvis gå i stykker i løpet av en slik test.
8. Bruk personlig verneutstyr. Avhengig av bruksområdet, må du bruke visir eller vernebriller. Bruk etter behov støvmaske, hørselsvern, hansker og beskyttelsesdekke som kan stoppe små slipepartikler eller fragmenter fra arbeidsstykket. Øyevernet må kunne stoppe flygende biter som oppstår under ulike operasjoner. Støvmasken eller åndedrettsvernet må kunne filtrere ut partikler som oppstår under arbeidet. Kraftig lyd over lengre tid kan forårsake redusert hørsel.
9. Hold andre på trygg avstand fra arbeidsområdet. Alle som beveger seg inn i arbeidsområdet må bruke personlig verneutstyr. Fragmenter fra arbeidsstykket eller fra skadet tilbehør kan slynges ut og forårsake skade utenfor det nære arbeidsområdet.
10. Hold maskinen kun i det isolerte håndtaket når skjæreverktøyet kan komme i kontakt med skjulte ledninger eller maskinens egen ledning under arbeidet. Hvis kuttetilbehøret kommer i kontakt med «strømførende» ledninger, kan ikke isolerte metalldele i maskinen bli «strømførende» og kunne gi brukeren elektrisk støt.
11. Plasser ledningen unna det roterende tilbehøret. Hvis du mister kontrollen, kan ledningen kuttet av eller henge fast og hånden eller armen din kan bli trukket inn til det roterende tilbehøret.
12. Ikke legg ned elektroverktøyet før tilbehøret har stoppet helt. Det roterende tilbehøret kan få feste i overflaten og trekke elektroverktøyet ut av kontroll.
13. Ikke kjør elektroverktøyet når du bærer det langs siden. Utsiktet kontakt med roterende tilbehør kan føre til at det fester i klærne og trekkes inn mot kroppen.
14. Rengjør verktøyets luftventiler regelmessig. Motorens vifte trekker støv inn i verktøyhuset og mye oppsamlet metallstøv kan medføre elektrisk fare.
15. Ikke bruk elektroverktøyet nær brennbare materialer. Gnister kan antenne slike materialer.
16. Ikke bruk tilbehør som krever kjølevæske. Bruk av vann eller andre kjølevæsker kan føre til elektrisk støt.

## Tilbakeslag og relaterte advarsler

Tilbakeslag er en plutselig reaksjon på en klemt eller fastsittende skive, bakrondell, børste eller annet tilbehør. Fastklemming forårsaker plutselig stopp av det roterende tilbehøret, noe som i sin tur gjør at det ukontrollerbare elektroverktøyet kastes i motsatt retning av tilbehørets rotasjonsretning ved fastklemmingspunktet. Hvis for eksempel en slipeskive klemmes eller hektes fast i arbeidsemnet, kan kanten på skiven som er fastklemt, grave seg inn i overflaten på materialet og føre til at skiven graver seg ut eller slås ut. Skiven kan enten sprette mot eller vekk fra operatøren, avhengig av rotasjonsretningen på skiven når den klemmes fast. Slipeskiver kan også knekke under slike forhold. Tilbakeslag er et resultat av at elektroverktøyet misbrukes og/eller brukes på feil måte eller under feil forhold, og kan unngås ved å ta de nødvendige forholdsreglene som beskrives under.

1. **Hold godt fast i verktøyet og plasser kroppen og armen din slik at du kan motstå kreftene i et tilbakeslag. Bruk alltid hjelpehåndtak når det følger med, for å få best mulig kontroll over tilbakeslag eller dreiemomentreaksjonen ved oppstart.** Operatøren kan kontrollere dreiemomentreaksjonen eller tilbakeslagskreftene hvis de riktige forholdsreglene tas.
2. **Legg aldri hånden nær det roterende tilbehøret.** Tilbehøret kan slå tilbake over hånden.
3. **Ikke plasser kroppen i det området elektroverktøyet kan slå tilbake i.** Tilbakeslag gjør at verktøyet slås i motsatt retning av skivens bevegelse når den blir sittende fast.
4. **Vær spesielt forsiktig under arbeid med hjørner, skarpe kanter osv. Unngå å la tilbehøret sprette eller hugge.** Hjørner, skarpe kanter eller støt har en tendens til å klemme fast det roterende tilbehøret og forårsake tap av kontrollen eller tilbakeslag.
5. **Ikke monter et sagkjedeblad for treskjæring eller et tannet sagblad.** Slike blader gir ofte tilbakeslag og mangel på kontroll.

## Spesifikke sikkerhetsadvarsler for sliping og kapping :

1. **Bruk bare skiver som er anbefalt for elektroverktøyet.** Skiver som ikke er beregnet for verktøyet, kan ikke sikres godt nok og er utrygge.
2. **Slipeoverflaten til skivene med forsenket nav må monteres under planet til vernet.** En feilmontert skive som stikker gjennom planet for vernet kan ikke tilstrekkelig beskyttes.
3. **Vernet må være ordentlig festet til verktøyet og plasseres slik at det gir størst mulig sikkerhet og slik at minst mulig av skiven vender mot brukeren.** Vernet bidrar til å beskytte brukeren mot brukne skivefragmenter og utilsikket kontakt med skiven og mot gnister som kan antenne klær.
4. **Skiver må bare brukes slik det er anbefalt. For eksempel: Ikke slip med siden av en kappeskive.** Kappeskiver for pussing er bare beregnet for periferisk pussing. Sidekrefter mot disse skivene kan knuse dem.
5. **Bruk alltid uskadete skiveflenser med riktig størrelse og form for skiven du har valgt.** Riktige skiveflenser støtter skiven og reduserer muligheten for skivebrudd. Skiveflenser for kappeskiver kan være forskjellige fra skiveflenser for slipeskiver.

6. **Ikke bruk utslitte skiver fra større elektroverktøy.** Skiver fra større elektroverktøy passer ikke for den høyere hastigheten til mindre verktøy og kan sprekke.

## Ekstra sikkerhetsadvarsler for kapping :

1. **Ikke «klemt fast» den avskårne skiven eller legg sterkt press på den. Ikke forsøk å kutte svært dypt.** For mye press på skiven øker belastningen og sjansen for at skiven vrir eller setter seg fast under kutting, samt at det øker sjansen for tilbakeslag eller at skiven blir ødelagt.
2. **Ikke plasser deg på linje med og bak den roterende skiven.** Når skiven beveger seg bort fra deg ved bruksstedet, kan et mulig tilbakeslag drive den roterende skiven og verktøyet rett mot deg.
3. **Når skiven fastklemmes eller du ønsker å avbryte kappingen, må du slå av verktøyet og holde det i ro til skiven har stoppet helt. Du må aldri forsøke å trekke kuttesskiven ut av kuttet mens skiven er i bevegelse. Det kan føre til tilbakeslag.** Undersøk årsaken til at skiven setter seg fast, og rett opp feilen.
4. **Ikke start kappingen på nytt mens skiven står i arbeidsemnet. La skiven få full hastighet og sett den forsiktig i kuttet.** Skiven kan sette seg fast, bli trukket oppover eller gi tilbakeslag hvis det elektriske verktøyet startes på nytt i arbeidsemnet.
5. **Støtt opp plater eller store arbeidsemner for å minimere muligheten for fastklemming eller tilbakeslag.** Store arbeidsemner har en tendens til å synke under sin egen vekt. Det må plasseres støtter under arbeidsemnet nært kuttlinjen og nært kanten på arbeidsemnet på begge sider av skiven.
6. **Vær ekstra forsiktig når du lager «hull» i eksisterende vegger eller andre områder uten innsyn.** Skiven som stikker ut, kan kutte gass- eller vannrør, elektriske ledninger eller objekter som kan forårsake tilbakeslag.

## Spesielle sikkerhetsadvarsler for pussing:

1. **Ikke bruk alt for stort smergelpapir. Følg produsentens anbefalinger når du velger pussepapir.** Forstapp papir som stikker utenfor pusseputen, kan forårsake oppriving og føre til slitasje eller tilbakeslag på skiven.

## Spesielle sikkerhetsadvarsler for stålborsting:

1. **Vær oppmerksom på at metalltråder kan løsne fra børsten også ved vanlig bruk. Ikke overbelast metalltrådene ved å legge ekstra trykk på børsten.** Metalltrådene kan lett trenge gjennom tynne klær og hud.
2. **Hvis det anbefales bruk av vern ved stålborsting, må du all unngå kontakt mellom stålborsteskiven eller børsten og vernet.** Stålskiver eller børster kan utvide seg på grunn av arbeidsbelastningen og sentrifugalkreftene.

## Ekstra sikkerhetsadvarsler:

1. **Når du bruker slipeskiver med forsenket nav, må du passe på bare å bruke glassfiberarmerte skiver.**
2. **BRUK ALDRI denne vinkelsliperen med slipeskiver av typen Stone Cup.** Denne vinkelsliperen er ikke konstruert for denne typen hjul, og bruk av et slikt produkt kan resultere i alvorlige helseskader.

3. Vær forsiktig så du ikke ødelegger spindelen, flensen (særlig monteringsflaten) eller låse-mutteren. Skade på disse delene kan resultere i at skiven brekker.
4. Forviss deg om at skiven ikke har kontakt med arbeidsstykket før startbryteren er slått på.
5. Før du begynner å bruke maskinen på et arbeidsstykke, bør du la den gå en liten stund. Se etter vibrasjoner eller vingling som kan tyde på at skiven er dårlig balansert.
6. Bruk den angitte overflaten av skiven til å utføre slipingen.
7. Ikke gå fra verktøyet mens det er i gang. Verktøyet må bare brukes mens operatøren holder det i hendene.
8. Ikke berør arbeidsstykket umiddelbart etter bruk. Det kan være ekstremt varmt og kan gi deg brannskader.
9. Ikke berør tilbehør umiddelbart etter bruk. De kan være ekstremt varme og kan gi deg brannskader.
10. Følg produsentens anvisninger for korrekt montering og bruk av skiver. Håndter og oppbevar skivene forsiktig.
11. Ikke bruk separate reduksjonsbøssinger eller adaptore for å tilpasse slipeskiver med store hull.
12. Bruk bare flenser som er spesifisert for dette verktøyet.
13. For maskiner som er beregnet på å bli utstyrt med gjengehullsskive, må du forvise deg om at gjengen i hullet er lang nok til å passe til spindellengden.
14. Forviss deg om at arbeidsstykket står støtt.
15. Ta hensyn til at skiven fortsetter å rotere etter at maskinen er slått av.
16. Hvis arbeidsplassen er ekstremt varm og fuktig, eller svært forurenset med elektrisk ledende støv, må du bruke en kortslutningsbryter (30 mA) for å ivareta operatørens sikkerhet.
17. Ikke bruk maskinen på materialer som inneholder asbest.
18. Når du bruker kappeskiven, må du alltid bruke beskyttelseskappen med støvoppsamler, slik lokale bestemmelser krever.
19. Kappeskiver må ikke utsettes for trykk fra siden.
20. Ikke bruk tekstilhansker når du bruker maskinen. Fibre fra tekstilhanskene kan komme inn i maskinen noe som kan føre til brudd i maskinen.
21. Pass på at det ikke finnes noen elektriske kabler, vannrør, gassrør, osv. som kan utgjøre en fare hvis de blir skadet av verktøyet.

## TA VARE PÅ DISSE INSTRUKSENE.

**⚠ ADVARSEL:** IKKE LA hensynet til hva som er "behagelig" eller det faktum at du kjenner produktet godt (etter mange gangers bruk) gjøre deg mindre oppmerksom på sikkerhetsreglene for bruken av det aktuelle produktet. Ved MISBRUK eller hvis ikke sikkerhetsreglene i denne bruksanvisningen følges, kan det oppstå alvorlig personskade.

## FUNKSJONSBESKRIVELSE

**⚠ FORSIKTIG:** Forviss deg alltid om at maskinen er slått av og støpselet trukket ut av kontakten før du justerer eller kontrollerer de mekaniske funksjonene.

### Spindellås

Trykk på spindellåsen for å forhindre spindelrotasjon når du monterer eller fjerner tilbehør.

► Fig.1: 1. Spindellås

**OBS:** Du må aldri aktivere spindellåsen mens spindelen beveger seg. Dette kan skade verktøyet.

### Monteringsstilling for bryterhåndtak

*Kun for modell GA7080/GA9080*

**⚠ FORSIKTIG:** Pass alltid på at bryterhåndtaket er låst i ønsket stilling før bruk.

Bryterhåndtaket kan roteres 90° til venstre eller høyre etter behov. Først må du koble verktøyet fra strømmen. Trykk på låseknappen, og rotér bryterhåndtaket helt til venstre eller høyre. Bryterhåndtaket låses i denne stillingen.

► Fig.2: 1. Motorhus 2. Låseknapp 3. Håndtak

### Bryterfunksjon

**⚠ FORSIKTIG:** Før du kobler maskinen til strømmen, må du alltid kontrollere at startbryteren aktiverer maskinen på riktig måte og går tilbake til «AV»-stilling når den slippes.

**⚠ FORSIKTIG:** Pass på at du skrur av verktøyet i tilfelle et strøbrudd eller at maskinen blir skrudd av ved et uhell, f.eks. at du trekker ut kontakten. Ellers vil verktøyet starte uventet når strømmen kommer på igjen, og dette kan forårsake en ulykke eller en personskade.

Det er tre mønstre for bryterfunksjon, avhengig av land.

► Fig.3: 1. Startbryter 2. Sperreknapp

### For maskiner med PÅ-sperreknapp

*Landsspesifikk*

**⚠ FORSIKTIG:** Bryteren kan sperres i «ON»-stilling for å gjøre det lettere for operatøren ved langvarig bruk. Vær forsiktig når du sperrer verktøyet i «ON»-stilling, og hold det godt fast.

Trykk på startbryteren (i B-retningen) for å starte maskinen. Slipp opp bryteren for å stanse verktøyet.

For kontinuerlig drift, må du trykke på startbryteren (i B-retningen) og deretter skyve inn sperrespaken (i A-retningen).

Hvis du vil stoppe maskinen mens den er låst, må du trykke startbryteren helt inn (i B-retningen) og så slippe den igjen.



## For maskiner med avsperringsknapp

### Landsspesifikk (inkludert Australia og New Zealand)

Låsespaken finnes for å hindre at startbryteren aktiveres utilsiktet.

Skyv inn sperrespaken (i A-retningen) og trykk på startbryteren (i B-retningen) for å starte maskinen. Slipp opp bryteren for å stanse verktøyet.

**OBS:** Ikke trekk hardt i startbryteren uten å trykke inn låsespaken. Det kan føre til at bryteren knekker.

## For maskiner med PÅ-sperreknapp og AV-sperreknapp

### Landsspesifikk

**⚠️FORSIKTIG:** Bryteren kan sperres i «ON»-stilling for å gjøre det lettere for operatøren ved langvarig bruk. Vær forsiktig når du sperrer verktøyet i «ON»-stilling, og hold det godt fast.

Låsespaken finnes for å hindre at startbryteren aktiveres utilsiktet.

Skyv inn sperrespaken (i A-retningen) og trykk på startbryteren (i B-retningen) for å starte maskinen. Slipp opp bryteren for å stanse verktøyet.

Når maskinen skal brukes kontinuerlig, må du trykke inn sperrespaken (i A-retningen), trykke inn startbryteren (i B-retningen) og så trekke i sperrespaken (i C-retningen).

Hvis du vil stoppe maskinen mens den er låst, må du trykke startbryteren helt inn (i B-retningen) og så slippe den igjen.

**OBS:** Ikke trekk hardt i startbryteren uten å trykke inn låsespaken. Det kan føre til at bryteren knekker.

## Indikatorlampe

### Kun for modell GA7080/GA7081/GA9080/GA9081

► Fig.4: 1. Indikatorlampe

Lampen lyser grønt når verktøyet er koblet til.

Hvis indikatorlampen ikke tennes, kan det være feil på strømledningen eller kontrolleren.

Hvis indikatorlampen slår seg på uten at verktøyet starter, selv om det er slått på, kan kullbørstene være slitte, eller kontrolleren, motoren eller bryteren kan være defekt.

## Sikker mot utilsiktet omstart

### Kun for modell GA7080/GA7081/GA9080/GA9081

Maskinen starter ikke når bryteren er sperret, selv når strømkabelen er plagget inn.

På dette tidspunktet blinker indikatorlampen rødt for å vise at sikringen som skal hindre utilsiktet omstart er aktivert.

For å avbryte denne sikkerhetsanordningen skyver du bryteren til OFF-stilling.

**MERK:** Vent mer enn et sekund før du starter verktøyet på nytt når sikringen mot utilsiktet start er aktivert.

## Mykstartfunksjon

### Kun for modell GA7080/GA7081/GA9080/GA9081

Funksjonen for myk start reduserer reaksjonen ved start.

## MONTERING

**⚠️FORSIKTIG:** Forviss deg alltid om at maskinen er slått av og støpselet trukket ut av kontakten før du utfører noe arbeid på maskinen.

## Montere støttehåndtak (hjelpeshåndtak)

**⚠️FORSIKTIG:** Forviss deg alltid om at støttehåndtaket er skikkelig montert før du tar maskinen i bruk.

**⚠️FORSIKTIG:** Du kan montere støttehåndtak i de 3 hullene. Monter støttehåndtaket i ett av hullene henhold til bruken.

Skru støttehåndtaket godt fast på maskinen i den stillingen som er vist på figuren.

► Fig.5

## Montere eller demontere bøylehåndtaket

### Valgfritt tilbehør

**⚠️FORSIKTIG:** Du må alltid påse at boltene på løkkegrepet er godt strammet før bruk.

**⚠️FORSIKTIG:** Hold grepområdet på bøylehåndtaket som vist i figuren. Hold også hånden unna metalldelen på sliperen under bruk. Berøring av metalldelen kan gi et elektrisk støt hvis skjæretilbehøret uforvarende kapper en strømførende ledning.

Bøylehåndtaket kan være mer behagelig enn det opprinnelige støttehåndtaket for noen bruksområder. For å montere bøylehåndtaket, setter du det på verktøyet som vist i figuren og strammer de to boltene for å feste det.

Følg monteringsprosedyren i omvendt rekkefølge for å ta av bøylehåndtaket.

► Fig.6: 1. Bøylehåndtak 2. Bolt 3. Grepområde



## Montere eller demontere beskyttelseskappen (for skive med forsenket nav, klaffskive, flex-skive, skivebørste/kappeskive, diamantskive)

**⚠ ADVARSEL:** Ved bruk av slipeskive med forsenket nav / klaffskive, flex-skive eller stål-børste, må skivebeskyttelsen settes på verktøyet slik at den lukkede siden av kappen vender mot operatøren.

**⚠ ADVARSEL:** Ved bruk av kappeskive/diamantskive må du forsikre deg om at du bare bruker den spesielle beskyttelseskappen som er beregnet for bruk med kappeskiver.

(I enkelte europeiske land kan det vanlige vernet brukes ved bruk av diamantskive. Følg lokale forskrifter.)

## For verktøy med låseskrue med beskyttelseskappe

Monter skivebeskyttelsen slik at fremspringet på skivebeskyttelsesbåndet er innrettet med hakket i lagerboksen. Drei deretter beskyttelseskappen til den står i en slik vinkel at den kan beskytte operatøren under arbeidet som skal utføres. Forviss deg om at du har trukket skruen godt til.

Fjern beskyttelseskappen ved å følge installeringsfremgangsmåten i motsatt rekkefølge.

► **Fig.7:** 1. Beskyttelseskappe 2. Lagerboks 3. Skruer

## For verktøy med klemmespak med beskyttelseskappe

### Valgfritt tilbehør

**⚠ ADVARSEL:** Beskyttelseskappen må settes på verktøyet slik at den lukkede siden av kappen alltid peker mot operatøren.

Løsne mutteren, og dra hendelen i pilens retning.

► **Fig.8:** 1. Mutter 2. Spak

Monter beskyttelseskappen slik at fremspringet på beskyttelseskappebåndet er innrettet med hakket i lagerboksen. Drei deretter beskyttelseskappen til den står i en slik vinkel at den kan beskytte operatøren under arbeidet som skal utføres.

► **Fig.9:** 1. Beskyttelseskappe 2. Lagerboks

► **Fig.10:** 1. Beskyttelseskappe

Stram mutteren godt til med en skiftenøkkel og lukk spaken i pilens retning for å feste beskyttelseskappen. Hvis spaken er for stram eller for løs til at beskyttelseskappen kan festes, må du åpne spaken og deretter løsne eller stramme mutteren ved hjelp av skiftenøkkelen for å justere strammingen av båndet til beskyttelseskappen.

► **Fig.11:** 1. Mutter 2. Spak

Fjern beskyttelseskappen ved å følge installasjonsfremgangsmåten i motsatt rekkefølge.

## Montere eller fjerne skive med nedsenket nav eller klaffskive

### Valgfritt tilbehør

**⚠ ADVARSEL:** Ved bruk av slipeskive med forsenket nav / klaffskive, må skivebeskyttelsen settes på verktøyet slik at den lukkede siden av kappen vender mot operatøren.

**⚠ FORSIKTIG:** Sørg for at monteringsdelen av den indre flensen passer perfekt inn i den indre omkretsen til den nedsenkede navet / klaffskiven. Hvis den indre flensen monteres på feil side, kan det resultere i farlig vibrasjon.

Monter den indre flensen på spindelen.

Sørg for at du fester den nedsenkede delen av den indre flensen på den rettvinklede delen på bunnen av spindelen.

Sett skiven/disken på den indre flensen, og skru låsemutteren med fremspringet vendt nedover (mot skiven).

► **Fig.12:** 1. Låsemutter 2. Forsenket nav 3. Indre flens 4. Monteringsdel

Stram låsemutteren ved å trykke så kraftig på spindellåsen at spindelen ikke kan rotere, og bruk låsemutternøkkelen til å stramme mutteren godt med klokken.

► **Fig.13:** 1. Låsemutternøkkel 2. Spindellås

Fjern hjulet ved å følge installeringsfremgangsmåten i motsatt rekkefølge.

## Montere eller fjerne flex-skiven

### Valgfritt tilbehør

**⚠ ADVARSEL:** Når du bruker flex-skiven må du alltid bruke medfølgende beskyttelse. Skiven kan knuse ved bruk, og vernet bidrar til å redusere faren for helseskader.

► **Fig.14:** 1. Låsemutter 2. Flex-hjul 3. Reserveput 4. Indre flens

Følg instruksjonene for skive med nedsenket nav, men bruk også reserveputen over skiven. Se monteringsrekkefølgen på tilbehørssiden i denne håndboken.

## Superflens

### Valgfritt tilbehør

Superflens er et spesialtilbehør for modeller som IKKE er utstyrt med bremsefunksjon.

Modeller med bokstaven F er som standard utstyrt med superflens. Låsemutteren kan løsnes med bare 1/3 av den kraften som er nødvendig ved bruk av vanlige flenstyper.

## Montere eller demontere Ezynut

### Valgfritt tilbehør

Kun for verktøy med M14 spindelgjenger.

**⚠FORSIKTIG:** Ikke bruk Ezynut med superflens. De flensene er så tykke at spindelen ikke kan holde alle gjengene.

Monter den indre flensen, slipeskiven og Ezynut på spindelen, og påse at Makita-logoen på Ezynut er vendt utover.

► **Fig.15:** 1. Ezynut 2. Slipeskive 3. Indre flens 4. Spindel

Press spindellåsen godt på og stram Ezynut ved å dreie slipeskiven så langt som mulig med klokken.

► **Fig.16:** 1. Spindellås

For å løse Ezynut dreier du den utvendige ringen på Ezynut mot klokken.

**MERK:** Du kan løse Ezynut for hånd så lenge pilen peker mot innsnittet. Ellers må du bruke en låsemutternøkkel for å løse den. Sett én stift på nøkkelen i et hull og drei Ezynut mot klokken.

► **Fig.17:** 1. Pil 2. Spor

► **Fig.18**

## Montere eller fjerne slipeskiven

### Valgfritt tilbehør

► **Fig.19:** 1. Låsemutter for sliping 2. Slipeskive 3. Gummirondell

1. Monter gummihetten på spindelen.

2. Sett skiven på gummirondellen og skru låsemutteren for sliping på spindelen.

3. Hold spindelen med skaftlåsen og stram låsemutterne for sliping med klokken med låsemutternøkkelen.

Fjern skiven ved å følge installeringsfremgangsmåten i motsatt rekkefølge.

**MERK:** Bruk slipetilbehør spesifisert i denne håndboken. Disse må kjøpes separat.

## Bruke kappeskive/diamantskive

### Valgfritt tilbehør

**⚠ADVARSEL:** Ved bruk av kappeskive/diamantskive må du forsikre deg om at du bare bruker den spesielle beskyttelseskappen som er beregnet for bruk med kappeskiver.

(I enkelte europeiske land kan det vanlige vernet brukes ved bruk av diamantskive. Følg lokale forskrifter.)

**⚠ADVARSEL:** IKKE bruk kappeskiver til sideveis sliping.

Monter den indre flensen på spindelen.

Sett skiven/disken på den indre flensen og skru låsemutteren på spindelen.

► **Fig.20:** 1. Låsemutter 2. Slipende kappeskive/diamantskive 3. Indre flens 4. Skivevern for slipende kappeskive/diamantskive

### For Australia og New Zealand

► **Fig.21:** 1. Låsemutter 2. Ytre flens 78 3. Slipende kappeskive/diamantskive 4. Indre flens 78 5. Skivevern for slipende kappeskive/diamantskive

## Installere en koppbørsten av stål

### Valgfritt tilbehør

**⚠FORSIKTIG:** Ikke bruk en børste som er skadet, eller som ikke er balansert. Hvis du bruker en skadet børste, kan dette øke faren for personskaade ved kontakt med ødelagte børstetråder.

► **Fig.22:** 1. Koppbørste av stål

Fjern alt tilbehør fra spindelen. Tre koppbørsten av stål på spindelen, og trekk til med nøkkelen.

## Installere en sirkulærbørste av stål

### Valgfritt tilbehør

**⚠FORSIKTIG:** Ikke bruk en skivebørste som er skadet, eller som ikke er balansert. Hvis du bruker en skadet skivebørste, kan dette øke faren for personskaade ved kontakt med ødelagte børstetråder.

**⚠FORSIKTIG:** Bruk ALLTID beskyttelseskappen med skivebørster, og pass på at skivens diameter passer inne i beskyttelseskappen. Skiven kan knuse ved bruk, og vernet bidrar til å redusere faren for helseskader.

► **Fig.23:** 1. Sirkulærbørste av stål

Fjern alt tilbehør fra spindelen. Tre sirkulærbørsten av stål på spindelen, og trekk til med nøkkelen.

## Montere beskyttelseskappe med støvoppsamler

**Beskyttelseskappe med støvoppsamler (for modell GA7080/GA7081/GA9080/GA9081)**

► **Fig.24:** 1. Låsemutter 2. Diamantskive av kopptype 3. Diamantskive av klemkopptype 4. Indre flens 5. Beskyttelseskappe med støvoppsamler 6. Lagerboks

**⚠ADVARSEL:** Beskyttelseskappen med støvoppsamler for sliping skal kun brukes til å slippe flat betong med en diamantskive av kopptype. Den må ikke brukes med slipesteiner eller til andre formål enn de som er nevnt.

**Beskyttelseskappe med støvoppsamler for kapping (for modell GA9080/GA9081/GA9082)**

► **Fig.25**

**MERK:** Informasjon om hvordan støvsamlerdekslet monteres, finnes i håndboken for støvsamleren.

## Koble til støvsuger

### Valgfritt tilbehør

**⚠ADVARSEL:** Du må aldri støvsuge bort metallpartikler som oppstår under bruk. Slike metallpartikler som oppstår under bruk er så varme at de antenner støv og filteret inne i støvsugeren.

For å hindre støvete omgivelser fra skjæring i mur, må du bruke en beskyttelseskappe med støvsamler og en støvsuger. Se brukerveiledningen festet på beskyttelseskappen med støvsamler for å sette den sammen og å bruke den.

► **Fig.26:** 1. Beskyttelseskappe med støvoppsamler for kapping 2. Støvsugerslange

## BRUK

**⚠ ADVARSEL:** Det er aldri nødvendig å bruke makt på verktøyet. Vekten av maskinen utøver passende trykk. Makt og for stort press kan føre til farlige brudd i skiven.

**⚠ ADVARSEL:** Skiven må ALLTID skiftes hvis maskinen mistes under sliping.

**⚠ ADVARSEL:** ALDRI dunk eller slå skiven mot arbeidsstykket.

**⚠ ADVARSEL:** Unngå at skiven hopper eller setter seg fast, særlig ved sliping av hjørner, skarpe kanter osv. Dette kan føre til at du mister kontrollen, og at maskinen slår tilbake mot deg.

**⚠ ADVARSEL:** Maskinen må ALDRI brukes med skjæreblader for tre eller andre sagblader. Hvis slike blader brukes på en slipemaskin, kan de ofte føre til slag fra maskinen, slik at operatøren mister kontrollen og blir skadet.

**⚠ ADVARSEL:** Fortsatt bruk av et utslitt hjul kan resultere i at hjulet eksploderer og forårsaker alvorlig personskade.

**⚠ FORSIKTIG:** Maskinen må aldri slås på mens den er i berøring med arbeidsstykket, da dette kan skade operatøren.

**⚠ FORSIKTIG:** Bruk alltid vernebriller eller ansiktsmaske ved arbeid med maskinen.

**⚠ FORSIKTIG:** Når du er ferdig å bruke maskinen må du alltid slå den av og vente til skiven har stoppet helt før du setter maskinen ned.

**⚠ FORSIKTIG:** Ha ALLTID én hånd på selve verktøyhuset og den andre hånden på støttehåndtaket (håndtaket).

## Sliping og pussing

► Fig.27

Slå på maskinen og sett så skiven i berøring med arbeidsstykket.

Generelt skal kanten av skiven holdes i en vinkel på omtrent 15° mot overflaten av arbeidsstykket.

I innkjøringsperioden for en ny skive må slipemaskinen ikke brukes i foroverretning, da dette kan føre til at den skjærer inn i arbeidsstykket. Så snart kanten av skiven er rundet av etter å være brukt litt, kan den brukes i både forover- og bakoverretning.

## Bruke kappeskive/diamantskive

*Valgfritt tilbehør*

**⚠ ADVARSEL:** Ikke «klem fast» skiven eller legg sterkt press på den. Ikke forsøk å kutte svært dypt. For mye press på skiven øker belastningen og muligheten for vridning eller fastklemming av skiven i kuttet, noe som kan føre til tilbakeslag, skivebrudd og overoppheting av motoren.

**⚠ ADVARSEL:** Ikke start kappingen mens skiven står i arbeidsstykket. La skiven få full hastighet og sett den forsiktig i kuttet samtidig som du beveger verktøyet fremover over overflaten på arbeidsstykket. Skiven kan sette seg fast, vandre opp eller slå tilbake hvis verktøyet startes med skiven i arbeidsstykket.

**⚠ ADVARSEL:** Ikke endre vinkel på skiven under bruk. Legger du sideveis press på kappeskiven (som ved pussing), kan det føre til at skiven sprekker og brytes i stykker, noe som kan føre til alvorlig personskade.

**⚠ ADVARSEL:** En diamantskive skal brukes vinkelrett på materialet som kuttes.

For modell GA7080 og GA9080 kan du rotere bryterhåndtaket.

**Eksempel på bruk:** med kappeskive med slipeeffekt med GA7080/GA9080

► Fig.28

**Eksempel på bruk:** med kappeskive med slipeeffekt med GA7081/GA7082/GA9081/GA9082

► Fig.29

**Eksempel på bruk:** med diamantskive med GA7080/GA9080

► Fig.30

**Eksempel på bruk:** med diamantskive med GA7081/GA7082/GA9081/GA9082

► Fig.31

## Bruke koppbørsten av stål

*Valgfritt tilbehør*

**⚠ FORSIKTIG:** Kontroller driften av børsten ved å kjøre verktøyet uten belastning, og forsikre deg om at ingen er foran eller ved siden av børsten.

**OBS:** Unngå å bruke for stort trykk, som kan føre at metalltrådene bøyes når du bruker koppbørsten av stål. Det kan føre til at de ødelegges for tidlig.

**Brukseksempel:** bruk med koppbørsten av stål

► Fig.32

## Bruke sirkulær stålbørste

### Valgfritt tilbehør

**⚠FORSIKTIG:** Kontroller driften av skivebørsten ved å kjøre verktøyet uten belastning, og forsikre deg om at ingen er foran eller ved siden av skivebørsten.

**OBS:** Unngå å bruke for stort trykk, som kan føre at metalltrådene bøyes når du bruker sirkulærbørsten av stål. Det kan føre til at de ødelegges for tidlig.

Brukseksempel: bruk med sirkulærbørste av stål  
► Fig.33

## VEDLIKEHOLD

**⚠FORSIKTIG:** Forviss deg alltid om at maskinen er slått av og støpselet trukket ut av kontakten før du foretar inspeksjon eller vedlikehold.

**OBS:** Aldri bruk gasolin, bensin, tynner alkohol eller lignende. Det kan føre til misfarging, deformering eller sprekkdannelse.

For å opprettholde produktets SIKKERHET og PÅLITELIGHET, må reparasjoner, vedlikehold og justeringer utføres av autoriserte Makita servicesentre eller fabrikk-servicesentre, og det må alltid brukes reservedeler fra Makita.

**MERK:** Ikke løsne skruen på dekselet. Ellers kan dekselet åpnes ved et uhell.

► Fig.34: 1. Skruer

## Rengjøring av luftventil

Maskinen og lufteåpningene må holdes rene. Rengjør maskinens lufteåpninger med jevne mellomrom og ellers når åpningene begynner å tettes.

► Fig.35: 1. Ventilasjonsutløp 2. Innsugsventil

# VALGFRITT TILBEHØR

**⚠FORSIKTIG:** Det anbefales at du bruker dette tilbehøret eller verktøyet sammen med den Makita-maskinen som er spesifisert i denne håndboken. Bruk av annet tilbehør eller verktøy kan forårsake personskader. Tilbehør og verktøy må kun brukes til det formålet det er beregnet på.

Ta kontakt med ditt lokale Makita-servicesenter hvis du trenger mer informasjon om dette tilbehøret.

► Fig.36

	180 mm	230 mm
1	Støttehåndtak/bøylehåndtak	
2	Beskyttelseskappe for slipeskive med forsenket nav/klaffskive/flex-hjul/sirkulærbørste av stål	
3	Indre flens/superflens *2	
4	Slipeskive med forsenket nav/klaffskive	
5	Låsemutter/Ezynut *1*2	
6	Beskyttelseskappe for slipende kappeskive/diamantskive *3	
7	Indre flens 78 (bare for Australia og New Zealand) *4	
8	Slipende kappeskive/diamantskive	
9	Ytre flens 78 (bare for Australia og New Zealand) *4	
10	Reservepute	
11	Flex-hjul	
12	Gummironde	
13	Slipeskive	
14	Låsemutter for sliping	
15	Sirkulærbørste av stål	
16	Koppbørste av stål	
17	-	Støttehåndtak for beskyttelseskappe med støvoppsamler
18	-	Beskyttelseskappe med støvoppsamler for kapping *4
19	-	Superflens *2
20	-	Diamantskive
21	Beskyttelseskappe med støvoppsamler for forskjøvet diamantskive	
22	Diamantkappeskive	
-	Låsemutternøkkel	
-	Feste for støvhette	

**MERK:** \*1 Kun for verktøy med M14 spindelgjenger.

**MERK:** \*2 Superflensen og Ezynut må ikke brukes sammen.

**MERK:** \*3 Når du bruker et diamanthjul i enkelte europeiske land, kan en vanlig kappe brukes istedenfor spesialkappen som dekker begge sider av hjulet. Følg lokale forskrifter.

**MERK:** \*4 Bruk indre flens 78 og ytre flens 78 sammen. (Kun for Australia og New Zealand)

**MERK:** Enkelte elementer i listen kan være inkludert som standardtilbehør i verktøypakken. Elementene kan variere fra land til land.

## TEKNISET TIEDOT

Malli:	GA7080	GA7081	GA7082	GA9080	GA9081	GA9082
Laikan halkaisija	180 mm			230 mm		
Laikan suurin paksuus	7,2 mm			6,5 mm		
Karan kierre	M14, M16 tai 5/8"					
Nimellisnopeus (n)	8 500 min <sup>-1</sup>			6 600 min <sup>-1</sup>		
Kokonaispituus	509 mm	461 mm		509 mm	461 mm	
Nettopaino	6,3– 6,8 kg	6,1– 6,6 kg	6,0– 6,5 kg	6,5– 8,6 kg	6,3– 8,4 kg	6,2– 8,3 kg
Suojausluokka	□/II					

- Jatkuvasta tutkimus- ja kehitystyöstämme johtuen esitetyt tekniset tiedot saattavat muuttua ilman erillistä ilmoitusta.
- Tekniset tiedot voivat vaihdella maittain.
- Paino voi olla erilainen lisävarusteista johtuen. EPTA-meneteltävän 01/2014 mukaisesti, taulukossa on kuvattu kevyin ja painavin laiteyhdistelmä.

### Käyttötarkoitus

Työkalu on tarkoitettu metallin ja kiven hiomiseen ja leikkaamiseen ilman vettä.

### Virtalähde

Koneen saa kytkeä vain sellaiseen virtalähteeseen, jonka jännite on sama kuin arvokilvessä ilmoitettu, ja sitä saa käyttää ainoastaan yksivaiheisella vaihtovirralla. Laite on kaksinkertaisesti suojaeristetty ja siksi se voidaan kytkeä myös maadoittamattomaan pistorasiaan.

### 220-250 V matalajännitteiset julkiset jakeluverkot

*Vain malli GA7082/GA9082*

Sähkölaitteiden käynnistyksen ja sammutus aiheuttavat jännitevaihteluja. Tämän laitteen käyttö epävakaassa verkossa saattaa haitata muiden laitteiden toimintaa. Haittavaikutuksia ei ole odotettavissa, jos verkon impedanssi on enintään 0,20 ohmia. Verkkopistokkeessa, johon tämä laite kytketään, on oltava sulake tai hidas vikavirtakatkaisin.

### Melutaso

Tyypillinen A-painotettu melutaso määräytyy standardin EN60745-2-3 mukaan:

Malli	Äänenpainetaso (L <sub>PA</sub> ): (dB(A))	Äänentehotaso (L <sub>WA</sub> ): (dB(A))	Virhemarginaali (K): (dB(A))
GA7080	91	102	3
GA7081	91	102	3
GA7082	91	102	3
GA9080	92	103	3
GA9081	92	103	3
GA9082	92	103	3

**HUOMAA:** Ilmoitetut melutasoarvot on mitattu standarditestausmenetelmän mukaisesti ja niiden avulla voidaan vertailla työkaluja keskenään.

**HUOMAA:** Ilmoitettuja melutasoarvoja voidaan käyttää myös altistumisen alustavaan arviointiin.

**VAROITUS:** Käytä kuulosuojaimia.

**VAROITUS:** Sähkötyökalun käytön aikana mitattu melutasoarvo voi poiketa ilmoitetuista arvoista laitteen käyttötavan ja erityisesti käsiteltävän työkalun mukaan.

**VAROITUS:** Selvitä käyttäjän suojaamiseksi tarvittavat varoimet todellisissa käyttöolosuhteissa tapahtuvan arvioidun altistumisen mukaisesti (ottaen huomioon käyttöjako kokonaisuudessaan, myös jaksot, joiden aikana laite on sammutettuna tai käy tyhjäkäynnillä).

## Tärinä

Kokonaistärinä (kolmen akselin vektorien summa) määräytyy standardin EN60745-2-3 mukaan:

### Käyttötila: pintahionta tavallista sivukahvaa käyttäen

Malli	Tärinäpäästö ( $a_{h, AG}$ ): (m/s <sup>2</sup> )	Virhemarginaali (K): (m/s <sup>2</sup> )
GA7080	5,6	1,5
GA7081	6,8	1,5
GA7082	6,8	1,5
GA9080	5,2	1,5
GA9081	6,3	1,5
GA9082	6,3	1,5

### Käyttötila: pintahionta tärinänvaimentavaa sivukahvaa käyttäen

Malli	Tärinäpäästö ( $a_{h, AG}$ ): (m/s <sup>2</sup> )	Virhemarginaali (K): (m/s <sup>2</sup> )
GA7080	5,9	1,5
GA7081	7,3	1,5
GA7082	7,3	1,5
GA9080	5,3	1,5
GA9081	5,4	1,5
GA9082	5,4	1,5

### Käyttötila: laikkahionta tavallista sivukahvaa käyttäen

Malli	Tärinäpäästö ( $a_{h, AG}$ ): (m/s <sup>2</sup> )	Virhemarginaali (K): (m/s <sup>2</sup> )
GA7080	3,6	1,5
GA7081	3,2	1,5
GA7082	3,2	1,5
GA9080	2,5 m/s <sup>2</sup> tai alhaisempi	1,5
GA9081	2,7	1,5
GA9082	2,7	1,5

### Käyttötila: laikkahionta tärinänvaimentavaa sivukahvaa käyttäen

Malli	Tärinäpäästö ( $a_{h, AG}$ ): (m/s <sup>2</sup> )	Virhemarginaali (K): (m/s <sup>2</sup> )
GA7080	3,9	1,5
GA7081	3,1	1,5
GA7082	3,1	1,5
GA9080	2,5 m/s <sup>2</sup> tai alhaisempi	1,5
GA9081	3,1	1,5
GA9082	3,1	1,5

**HUOMAA:** Ilmoitetut kokonaistärinäarvot on mitattu standarditestausten mukaisesti ja niiden avulla voidaan vertailla työkaluja keskenään.

**HUOMAA:** Ilmoitettuja kokonaistärinäarvoja voidaan käyttää myös altistumisen alustavaan arviointiin.

**VAROITUS:** Sähkötyökalun käytön aikana mitattu todellinen tärinäpäästöarvo voi poiketa ilmoitetuista arvoista laitteen käyttötavan ja erityisesti käsiteltävän työkalupaleen mukaan.

**VAROITUS:** Selvitä käyttäjän suojaamiseksi tarvittavat varoimet todellisissa käyttöolosuhteissa tapahtuvan arvioidun altistumisen mukaisesti (ottaen huomioon käyttöjako kokonaisuudessaan, myös jaksot, joiden aikana laite on sammutettuna tai käy tyhjäkäynnillä).

**VAROITUS:** Ilmoitettu tärinäpäästöarvo koskee tämän työkalun pääasiallisia käyttötarkoituksia. Tärinäpäästöarvo voi kuitenkin muuttua, jos työkalua käytetään muihin tarkoituksiin.



## Vaatimustenmukaisuusvaatimukset

### *Koskee vain Euroopan maita*

Vaatimustenmukaisuusvakuutukset on liitetty tähän käyttöoppaaseen liitteeksi A.

## TURVAVAROITUKSET

### Sähkötyökalujen käyttöä koskevat yleiset varoitukset

**VAROITUS** Tutustu kaikkiin tämän sähkötyökalun mukana toimitettuihin turvavaroituksiin, ohjeisiin, kuviin ja teknisiin tietoihin. Seuraavassa esitettyjen ohjeiden noudattamatta jättäminen voi aiheuttaa sähköiskun, tulipalon ja/tai vakavan vamman.

### Säilytä varoitukset ja ohjeet tulevaa käyttöä varten.

Varoituksissa käytettävällä termillä "sähkötyökalu" tarkoitetaan joko verkkovirtaa käyttävää (johdollista) työkalua tai akkukäyttöistä (johdotonta) työkalua.

### Hiomakone turvavaroitukset

Hiontaa, hiekkapaperihiontaa, harjausta ja katkaisua koskevat yleiset varoitukset:

1. Tätä sähkötyökalua voidaan käyttää hiomakoneena, hiekkapaperihiomakoneena, teräsharjana ja katkaisutyökaluna. Tutustu kaikkiin tämän sähkötyökalun mukana toimitettuihin varoituksiin, ohjeisiin, kuviin ja teknisiin tietoihin. Seuraavassa lueteltujen ohjeiden noudattamatta jättäminen saattaa johtaa sähköiskun, tulipalon tai vakavaan vammautumiseen.
2. Älä käytä työkalua kiillottamiseen. Sellaiset toiminnot, joihin tätä sähkötyökalua ei ole suunniteltu, voivat aiheuttaa vaaran ja aiheuttaa henkilövamman.
3. Älä käytä sellaisia lisävarusteita, jotka eivät ole nimenomaan valmistajan suosittelemia tai suosittelamia. Vaikka lisävarusteen voi kiinnittää työkaluun, sen käyttö ei silti välttämättä ole turvallista.
4. Lisävarusteen määrätyn nopeuden täytyy olla ainakin samanvertainen tehokoneessa osoitetun enimmäisnopeuden kanssa. Sellaiset lisävarusteet, jotka toimivat nopeammin, kuin määritetty nopeus, voivat rikkoutua ja sinkoutua erilleen.
5. Lisävarusteesi ulkohalkaisijan ja paksuuden on oltava tehokoneesi määritetyn kapasiteetin sisällä. Väärin mitoitettuja lisävarusteita ei voida suojata tai ohjata sopivasti.
6. Lisävarusteiden kiertetyn asennuskiinnityksen on vastattava hiomakoneen karan kierteitä. Laippa-asennettavien lisävarusteiden asennusreiän on vastattava kohdistuslaipan halkaisijaa. Jos lisävaruste ei sovi tehokoneen asennusvarustukseen, tehokone ei ole tasapainossa. Se voi tärähtää voimakkaasti, mikä voi aiheuttaa työkalun hallinnan menetyksen.

7. Älä käytä viallisia lisävarusteita. Ennen jokaista käyttökertaa tarkista, että hioma-laikassa ei ole lohkeamia tai halkeamia, tyyntyneissä ei ole halkeamia tai merkkejä liiallisesta kulumisesta ja että teräsharjan harjakset eivät ole irti tai halkeilleet. Jos työkalu tai lisävaruste pääsee putoamaan, tarkista sen kunto tai vaihda lisävaruste ehjään. Asetu lisävarusteen tarkastuksen ja asennuksen jälkeen niin, ettei itse tai kukaan sivullinen ole pyörivän lisävarusteen kanssa samassa tasossa ja käytä laitetta sitten suurimmalla sallitulla joutokäyntinopeudella yhden minuutin ajan. Vioittunut lisävaruste hajoaa yleensä tässä testiajassa.
8. Käytä suojarusteita. Käytä käyttötarkoituksen mukaisesti kasvosuojusta, suojalaseja tai sivusuojilla varustettuja laseja. Käytä tarvittaessa hengityssuojainta, kuulosuojaimia, hansikkaita ja työessua, joka suojaa pieniltä pirstaleilta. Suojalasiaan täytyy suojata kaikenlaisista töistä aiheutuilta lentäviltä pirstaleilta. Hengityssuojaimen täytyy suodattaa työskentelyntuottamat hiukkaset. Pitkäaikainen altistuminen voimakkaalle melulle voi vahingoittaa kuuloa.
9. Sivullisten tulee pysyä turvallisen etäisyyden päässä työskentelyalueesta. Kaikkien työskentelyalueelle tulevien on käytettävä suojarusteita. Työkappaleen tai rikkoutuneen lisävarusteen pirstaleet voivat aiheuttaa vamman välittömästi toiminta-alueen ulkopuolella.
10. Jos on mahdollista, että työkalun terä osuu piilossa oleviin johtoihin tai koneen omaan virtajohtoon, pidä leikatessasi kiinni työkalusta sen eristetyistä tartuntapinnoista. Jos leikkauslisävaruste joutuu kosketukseen jännitteisen johdon kanssa, jännite voi siirtyä työkalun sähköä johtaviin metalliosiin ja aiheuttaa käyttäjälle sähköiskun.
11. Aseta johto varmaan paikkaan pyörivästä lisävarusteesta. Jos menetät hallintakyvyn, johto voi katketa tai repeytyä ja kätesi voi joutua pyörivään lisävarusteeseen.
12. Älä koskaan laita tehokonetta alas, ennen kuin lisävaruste on täysin pysähtynyt. Pyörivä lisävaruste voi tarrata pintaan ja vetää tehokoneen käsitäsi.
13. Älä käytä laitetta, kun kannat sitä sivullasi. Vahingossa aiheutuva kosketus pyörivään lisävarusteeseen voi repiä vaatteesi, vetäen lisävarusteen kehoosi.
14. Puhdista työkalun ilma-aukot säännöllisesti. Moottorin tuuletin imee pölyä koteloon, ja metallijauheen kerääntyminen laitteeseen voi aiheuttaa sähköiskuvaaran.
15. Älä käytä tehokonetta tulenarkojen materiaalien lähellä. Kipinä voivat sytyttää nämä materiaalit.
16. Älä käytä sellaisia lisävarusteita, jotka vaativat jäähdytysnesteitä. Jos käytät vettä tai muita jäähdytysnesteitä, ne voivat aiheuttaa sähkötapaturman tai -iskun.

## Takapotku ja siihen liittyvät varoitukset

Takapotku on kiinni juuttuneen laikan, tyynyn, harjan tai muun lisävarusteen aiheuttama äkillinen sysäys. Kiinni juuttuminen tai takertelu aiheuttaa sen, että pyörivä lisävaruste pysähtyy, mikä puolestaan alkaa työntää laitetta hallitsemattomasti pyörimisliikkeelle vastakkaiseen suuntaan.

Jos laikka esimerkiksi juuttuu työkappaleeseen, juuttumiskohtaan puretumassa oleva laikka voi tunkeutua kappaleen pintaan, jolloin se kiipeeä ylös tai potkaisee taaksepäin. Laikka voi ponnahtaa joko käyttäjää kohti tai käyttäjästä poispäin riippuen laikan pyörimissuunnasta juuttumishetkellä. Hiomalaikat voivat myös rikkoutua näissä tilanteissa.

Takapotku johtuu tehokoneen virheellisestä käytöstä ja/ tai käyttötavasta tai olosuhteista. Takapotku voidaan välttää seuraavien varoitusten avulla.

- 1. Pitele tehokoneesta tukevasti kiinni ja asetu sellaiseen asentoon, että voit vastustaa takapotkun voimaa. Käytä aina apukahvaa, jos annettu mukana, takapotkujen tai vääntömomentin maksimi hallinnon vuoksi käynnistyksen aikana.** Käyttäjä voi hallita vääntömomentin reaktioita tai takapotkun voimaa noudattamalla sopivia varoitoimenpiteitä.
- 2. Älä koskaan vie kättäsi pyörivän lisävarusteen lähelle.** Lisävaruste saattaa aiheuttaa takapotkun käsillesi.
- 3. Älä asetu niin, että kehosi jää sähkötyökalun tielle takapotkun sattuessa.** Takapotku heittää laitetta laikan pyörimissuuntaan nähden päinvastaiseen suuntaan.
- 4. Ole erityisen varovainen, kun työstät nurkkia, teräviä reunoja tms. Vältä laikan pommimista ja jumittumista.** Kulmilla, terävillä reunoilla tai ponnahtamisella on taipumus repäistä pyörivää lisävarustetta ja aiheuttaa hallinnan menettämisen tai takapotkun.
- 5. Älä käytä laitteessa moottorisahan puunleikkuuterää tai hammastettua terää.** Tällaiset terät aiheuttavat usein takapotkuja ja hallinnan menettämisen.

## Hiontaa ja katkaisua koskevat erityiset varoitukset:

- 1. Käytä vain kyseiselle sähkötyökalulle tarkoitettuja laikkatyyppisiä ja kyseiselle laikalle tarkoitettua erikoissuojaa.** Muita kuin kyseiselle sähkötyökalulle nimenomaisesti tarkoitettuja laikkoja ei voida suojata kunnolla, eivätkä ne ole turvallisia.
- 2. Uпотetulla navalla varustettujen laikkojen hiomapinnan on oltava suojaavan tason alapuolella.** Vääriin asennettua laikkaa, joka työntää suojaavan tason läpi, ei ole asianmukaisesti suojattu.
- 3. Suojus on kiinnitettävä laitteeseen tukevasti turvalliseen asentoon niin, että mahdollisimman pieni osa laikasta näkyy käyttäjää kohti.** Suoja suojaaa käyttäjää rikkoutuneen laikan palasilta ja kipinöiltä, jotka voisivat sytyttää vaatteet palamaan, sekä estää vahingossa koskettamasta laikkaa.
- 4. Laikkoja saa käyttää vain niille suositeltuun käyttötarkoitukseen.** Esimerkki: älä käytä katkaisulaikan sivua hiomiseen. Katkaisulaikkaa käytettäessä hionta on tarkoitettu tehtäväksi vain laikan kehällä. Laikkaan kohdistettava sivuttainen voima voi rikkoa sen sirpaleiksi.

- 5. Käytä aina ehjiä ja oikean kokoisia laikkalaippoja, joiden muoto vastaa valittua laikkaa.** Oikeantyyppiset laikkalaipat tukevat laikkaa ja pienentävät näin laikan rikkoutumisriskiä. Katkaisulaikkoihin tarkoitetut laipat voivat olla erilaisia kuin hiomalaikkojen laipat.
- 6. Älä käytä suurempien sähkötyökalujen kulu-neita laikkoja.** Suuriin sähkötyökaluihin tarkoitetut laikat eivät sovi suuremmalla nopeudella toimiviin pienempiin työkaluihin ja voivat siksi hajota.

## Katkaisua koskevat lisävaroitukset:

- 1. Älä anna laikan juuttua paikalleen äläkä käytä liiallista painetta. Älä yritä tehdä liian syvää uraa.** Laikan liiallisen painaminen lisää kuormitusta ja laikan vääntymis- tai juuttumisriskiä, jolloin seurauksena voi olla takapotku tai laikan rikkoutuminen.
- 2. Älä asetu samaan linjaan pyörivän laikan taakse.** Kun laikka käytettäessä liikkuu käyttäjästä poispäin, mahdollinen takapotku voi sysätä pyörivän laikan ja sähkötyökalun suoraan käyttäjää kohti.
- 3. Kun laikka takertelee tai työ joudutaan jostakin syystä keskeyttämään, katkaise laitteesta virta ja pidä sitä paikoillaan liikkumatta, kunnes laikka on täysin pysähtynyt. Älä koskaan yritä irrottaa laikkaa urasta, kun laikka vielä pyörii, koska seurauksena voi olla takapotku.** Selvitä laikan takertelun syy ja poista juuttumisen aiheuttamisen syy.
- 4. Älä käynnistä laitetta niin, että se on kiinni työkalupaleessa.** Anna laikan savuttaa täysi pyörimisnopeus ja työnnä laikka sitten varovasti leikkuu-uraan. Jos työkalu käynnistetään niin, että se on kiinni työkappaleessa, laikka voi juuttua, työntyä taaksepäin tai ponnahtaa ylös.
- 5. Vähennä laikan takertelu- ja takapotkuriskiä tukemalla paneelit ja ylisuuret työkappaleet huolellisesti.** Suurikokoiset työkappaleet pyrkivät taipumaan omasta painostaan. Työkappale on tuettava laikan kummaltakin puolelta leikkulinjan vierestä ja työkappaleen reunoilla.
- 6. Ole erityisen varovainen, kun teet aukkoja seinäin tai muihin umpinaiisiin rakenteisiin.** Laikka voi katkaista kaasu- tai vesiputken tai sähköjohdot ja tai osua takapotkun aiheuttaviin esteisiin.

## Hiekkapaperihiontaa koskevat erikoismääräykset:

- 1. Älä käytä ylikokoista hiomalaikkapaperia.** Noudata hiekkapaperin valinnassa valmistajan suosituksia. Hiomatyyppien ulkopuolelle ulottuva hiekkapaperi voi revetä ja aiheuttaa takertelua, laikkavaurioita tai takapotkun.

## Teräsharjausta koskevat erityiset varoitukset:

- 1. Ota huomioon, että harjaksia irtoaa harjasta myös normaalikäytössä. Älä kuormita harjaksia turhaan painamalla liian voimakkaasti.** Harjakset voivat heilosti tunkeutua kevyen vaate-tuksen ja/tai ihon läpi.
- 2. Jos harjauksessa suositellaan käytettäväksi suojusta, älä anna harjauslaikan tai harjan koskettaa suojukseen.** Harjauslaikan tai harjan halkaisija voi kasvaa kuormituksen ja keskipakoisvoiman vaikutuksesta.

## Turvallisuutta koskevat lisävaroitukset:

1. Jos käytät hiomalaikkaa, jossa on upotettu keskiö, varmista, että laikka on lasikuituvahvisteinen.
2. **ÄLÄ KOSKAAN** käytä tässä hiomakoneessa kiven hiontaan tarkoitettuja kuppilaikkoja. Hiomakonetta ei ole suunniteltu tämän tyyppisten laikkojen käyttöön. Vääräntyyppisten laikkojen käyttö voi aiheuttaa vakavan henkilövahingon.
3. Varo, ettet vahingoita karaa, laippaa (erityisesti asennuspintaa) tai lukkomutteria. Näiden osien vioittuminen voi aiheuttaa laikan rikkoutumisen.
4. Varmista, ettei laikka kosketa työkappaleeseen, ennen kuin virta on kytketty päälle kytkimestä.
5. Anna koneen käydä jonkin aikaa, ennen kuin alat työstää työkappaletta. Varo, ettei se värähtele tai tärisä, mikä voi olla merkki siitä, että laikka on huonosti asennettu tai tasapainotettu.
6. Käytä hiontaan siihen tarkoitettua laikan pintaa.
7. Älä jätä työkalua käymään itseksensä. Käytä laitetta vain silloin, kun pidät sitä kädessä.
8. Älä kosketa työkappaletta heti käytön jälkeen, sillä se saattaa olla erittäin kuuma ja polttaa ihoa.
9. Älä kosketa lisävarusteita heti käytön jälkeen, sillä ne saattavat olla erittäin kuumia ja polttaa ihoa.
10. Noudata valmistajan ohjeita laikkojen oikeasta asennuksesta ja käytöstä. Käsittele laikkoja varoen ja säilytä niitä huolella.
11. Älä käytä erillisiä supistusholkkeja tai sovitimia isoaukkoisten hiomalaikkojen kiinnitykseen.
12. Käytä ainoastaan tälle työkalulle tarkoitettuja laippoja.
13. Kun käytät kierrereillä varustetuille laikoille tarkoitettua työkalua, varmista, että laikan kierteet vastaavat pituudeltaan karan pituutta.
14. Varmista, että työkappale on tukevasti paikoillaan.
15. Ota huomioon, että laikka jatkaa pyörimistään vielä sen jälkeen, kun virta on katkaistu.
16. Jos työtila on erittäin kuuma ja kostea tai siinä esiintyy runsaasti sähköä johtavaa pölyä, varmista turvallisuus käyttämällä vikavirtakatkaisinta (30 mA).
17. Älä hio tai leikkaa työkalulla mitään asbestia sisältäviä materiaaleja.
18. Käytä aina paikallisten määräysten edellyttämää pölyä keräävää laikansuojusta.
19. Katkaisulaikkaa ei saa painaa sivusuunnassa.
20. Älä pidä kankaisia työkäsineitä käytön aikana. Kankaisista käsineistä irtoavat kuidut voivat päätyä työkalun sisään ja vaurioittaa työkalua.
21. Varmista, etteivät työkalun käytön seurauksena mahdollisesti vaurioituvat sähköjohdot, vesiputket, kaasuputket jne. voi aiheuttaa vaaratilanteita.

## SÄILYTÄ NÄMÄ OHJEET.

**VAROITUS:** ÄLÄ anna työkalun helppokäyttöisyyden (toistuvan käytön aikaansaama) johtaa sinua väärään turvallisuuden tunteeseen niin, että laiminlyöt työkalun turvaohjeiden noudattamisen. **VÄÄRINKÄYTTÖ** tai tässä käyttöohjeessa ilmoitettujen turvamääräysten laiminlyönti voi aiheuttaa vakavia henkilövahinkoja.

## TOIMINTOJEN KUVAUS

**HUOMIO:** Varmista aina ennen koneen säätöjen ja toiminnallisten tarkistusten tekemistä, että kone on sammutettu ja irrotettu pistorasiasta.

## Akselilukko

Kun kiinnität tai irrotat lisälaitteita, estä a pyörimistä painamalla lukitusta.

► **Kuva1:** 1. Akselilukko

**HUOMAUTUS:** Älä koskaan kytkä lukkoa päälle n pyöriessä. Työkalu voi rikkoutua.

## Kytinkahvan kiinnitysasennot

Vain malli GA7080/GA9080

**HUOMIO:** Varmista aina, että kytinkahva on lukittu haluttuun asentoon ennen käyttöä.

Kytinkahvaa voidaan kiertää 90° joko vasemmalle tai oikealle työskentelytarpeen mukaan. Irrota ensin työkalu virtalähteestä. Paina lukituspainiketta ja kierrä kytinkahva täysin vasemmalle tai oikealle. Kytinkahva lukittuu tähän asentoon.

► **Kuva2:** 1. Moottorin kotelo 2. Lukituspainike  
3. Kahva

## Kytikimen käyttäminen

**HUOMIO:** Tarkista aina ennen työkalun liittämistä virtalähteeseen, että liipaisinkytkin kytketty oikein ja palaa asentoon "OFF", kun se vapautetaan.

**HUOMIO:** Varmista, että sammutat työkalun sähkökatkoksen yhteydessä tai jos työkalu kytketään vahingossa irti virransyötöstä. Muussa tapauksessa työkalu käynnistyy odottamattomasti, kun virransyöttö palaa ja voi aiheuttaa tapaturman.

Kytikin voi toimia kolmella eri tavalla maakohtaisesti.

► **Kuva3:** 1. Liipaisinkytkin 2. Lukitusvipu

## Lukituskytkimellä varustetulle työkalulle

### Maakohtainen

**▲HUOMIO:** Kytkimen voi lukita ”ON”-asentoon, jotta pitkäaikainen käyttö olisi käyttäjälle helpompaa. Ole varovainen, kun lukitset työkalun ”ON”-asentoon ja pidä työkalusta luja ote.

Käynnistä työkalu painamalla liipaisinkytkintä (suuntaan B). Pysäytä vapauttamalla liipaisinkytkin.

Jos haluat työkalun käyvän jatkuvasti, paina ensin liipaisinkytkin pohjaan (suuntaan B) ja paina sitten lukitusvipu sisään (suuntaan A).

Lukittu työkalu pysäytetään vetämällä liipaisinkytkintä täysin (suuntaan B), ja sitten vapauttamalla se.

## Käynnistyksen estokytkimellä varustettu työkalu

### Maakohtainen (mukaan lukien Australia ja Uusi-Seelanti)

Työkalussa on lukitusvipu, joka estää liipaisinkytkimen painamisen vahingossa.

Käynnistä työkalu työntämällä lukitusvipua (suuntaan A) ja painamalla sitten liipaisinkytkintä (suuntaan B). Pysäytä vapauttamalla liipaisinkytkin.

**HUOMAUTUS:** Älä paina liipaisinkytkintä voimakkaasti, ellei paina samalla lukitusvipua. Tämä voi aiheuttaa kytkimen rikkoutumisen.

## Lukituskytkimellä ja käynnistyksen estokytkimellä varustettu kone

### Maakohtainen

**▲HUOMIO:** Kytkimen voi lukita ”ON”-asentoon, jotta pitkäaikainen käyttö olisi käyttäjälle helpompaa. Ole varovainen, kun lukitset työkalun ”ON”-asentoon ja pidä työkalusta luja ote.

Työkalussa on lukitusvipu, joka estää liipaisinkytkimen painamisen vahingossa.

Käynnistä työkalu työntämällä lukitusvipua (suuntaan A) ja painamalla sitten liipaisinkytkintä (suuntaan B). Pysäytä vapauttamalla liipaisinkytkin.

Jos haluat työkalun käyvän jatkuvasti, työnnä ensin lukitusvipua (suuntaan A), paina liipaisinkytkintä (suuntaan B) ja vedä sitten lukitusvipua (suuntaan C).

Lukittu työkalu pysäytetään vetämällä liipaisinkytkintä täysin (suuntaan B), ja sitten vapauttamalla se.

**HUOMAUTUS:** Älä paina liipaisinkytkintä voimakkaasti, ellei paina samalla lukitusvipua. Tämä voi aiheuttaa kytkimen rikkoutumisen.

## Merkkivalo

Vain malli GA7080/GA7081/GA9080/GA9081

► Kuva4: 1. Merkkivalo

Vihreä merkkivalo syttyy, kun laite kytketään virtalähteeseen. Jos merkkivalo ei syty, päävirtajohto tai ohjain saattaa olla vahingoittunut.

Jos merkkivalo palaa, mutta työkalu ei käynnisty, vaikka virta on kytketty, syynä voi olla hiiliharjojen kuluminen tai vika ohjaimessa, moottorissa tai kytkimessä.

## Tahattoman uudelleenkäynnistyksen esto

Vain malli GA7080/GA7081/GA9080/GA9081

Työkalu ei käynnisty, jos kytkin on lukittu, vaikka työkalun virtajohto kytketään.

Tällöin merkkivalo vilkkuu punaisena, mikä ilmaisee, että tahattoman uudelleenkäynnistyksen estolaite on toiminnassa.

Peruuta tahattoman uudelleenkäynnistyksen esto palauttamalla kytkin takaisin OFF-asentoon.

**HUOMAA:** Odota ainakin sekunti ennen uudelleenkäynnistystä, jos tahattoman uudelleenkäynnistyksen esto on aktivoitunut.

## Pehmeä käynnisty

Vain malli GA7080/GA7081/GA9080/GA9081

Pehmeä käynnistystoiminto vaimentaa käynnistysnykäystä.

## KOKOONPANO

**▲HUOMIO:** Varmista aina ennen koneelle tehtäviä toimenpiteitä, että kone on sammutettu ja irrotettu pistorasiasta.

## Sivukahvan asentaminen (kahva)

**▲HUOMIO:** Varmista aina ennen käyttöä, että sivukahva on tukevasti paikoillaan.

**▲HUOMIO:** Sivukahvan voi asentaa 3 eri reikään. Asenna sivukahva käyttötarkoituksen mukaiseen reikään.

Kiinnitä sivukahva koneeseen kuvan osoittamalla tavalla.

► Kuva5

## Silmukkakahvan asennus tai irrotus

### Lisävaruste

**▲HUOMIO:** Varmista aina ennen käyttöä, että silmukkakahvan pultit on kiristetty.

**▲HUOMIO:** Ota kiinni kuvan mukaisesta silmukkakahvan tartuntaosasta. Pidä kädet poissa hiomakoneen metalliosan luota käytön aikana. Metalliosan koskettaminen voi johtaa sähköiskuun, jos leikkulaite leikkaa kytketyn sähköjohton yllättäen.

Silmukkakahvan käyttömukavuus voi olla alkuperäistä sivukahvaa parempi joissakin käyttötarkoituksissa. Asenna silmukkakahva asettamalla se työkaluun kuvan mukaisesti ja kiristämällä se sitten kiinni kahdella pultilla.

Irrota silmukkakahva noudattamalla asennusohjeita päinvastaisessa järjestyksessä.

► Kuva6: 1. Silmukkakahva 2. Pultti 3. Tartuntaosa

## Laikan suojuksen kiinnittäminen ja irrottaminen (upotetulla navalla varustettu laikka, lamellilaikka, joustava laikka, teräsharjalaikka / hiova katkaisulaikka, timanttilaikka)

**VAROITUS:** Jos käytössä on upotetulla navalla varustettu hiomalaikka, lamellilaikka, joustava laikka tai teräsharjalaikka, laikan suojus on kiinnitettävä työkaluun niin, että suojuksen umpinainen puoli tulee aina käyttäjää kohti.

**VAROITUS:** Varmista hiomakatkaisu-/timanttilaikkaa käyttäessäsi, että käytät ainoastaan katkaisulaikoille tarkoitettua erikoislaikansuojusta.

(Joissakin Euroopan maissa voidaan käyttää timanttilaikan kanssa tavallista suojusta. Noudata oman maasi määräyksiä.)

## Lukitusruuvi-tyyppisillä laikkasuojuksilla varustetulle työkalulle

Kiinnitä laikan suojus niin, että laikan suojuksen kiinnityspannan ulokkeet tulevat laakerikotelon lovien kohdalle. Käännä laikan suojus sitten sellaiseen asentoon, jossa se suojaa käyttäjää työn vaatimusten mukaisesti. Varmista ruuvien kiristäminen tiukkaan.

Irrota laikan suojus päinvastaisessa järjestyksessä.

► **Kuva7:** 1. Laikan suojus 2. Laakeripesä 3. Ruuvi

## Kiristysruuvi-tyyppisillä laikkasuojuksilla varustetulle työkalulle

### Lisävaruste

**VAROITUS:** Laikan suojus on kiinnitettävä työkaluun niin, että suojuksen umpinainen puoli tulee aina käyttäjää kohti.

Löysää mutteri ja vedä tämän jälkeen vipua nuolen osoittamaan suuntaan.

► **Kuva8:** 1. Mutteri 2. Vipu

Kiinnitä laikan suojus niin, että laikan suojuksen kiinnityspannan ulokkeet tulevat laakeripesän lovien kohdalle. Käännä laikan suojus sitten sellaiseen asentoon, jossa se suojaa käyttäjää työn vaatimusten mukaisesti.

► **Kuva9:** 1. Laikan suojus 2. Laakeripesä

► **Kuva10:** 1. Laikan suojus

Kiristä mutteri tiukasti mutteriavaimella ja kiinnitä sitten laikan suojus sulkemalla vipu nuolen suuntaisesti. Jos vipu on liian tiukalla tai löysällä, eikä laikan suojus pysy kunnolla paikoillaan, avaa vipu ja sääda laikan suojuksen pannan kireys löysäämällä tai kiristämällä mutteria mutteriavaimella.

► **Kuva11:** 1. Mutteri 2. Vipu

Irrota laikan suojus päinvastaisessa järjestyksessä.

## Upotetulla navalla varustetun laikan tai lamellilaikan asentaminen ja irrottaminen

### Lisävaruste

**VAROITUS:** Jos käytössä on upotetulla navalla varustettu laikka tai lamellilaikka, laikan suojus on kiinnitettävä työkaluun niin, että suojuksen umpinainen puoli tulee aina käyttäjää kohti.

**HUOMIO:** Varmista, että sisälaipan asennusosa sopii upotetulla navalla varustetun laikan/lamellilaikan sisähalkaisijaan täydellisesti.

Sisälaipan asentaminen väärälle puolelle saattaa aiheuttaa vaarallista ääntä.

Asenna sisälaippa karaan.

Varmista, että sisälaipan upotettu kohta on vasten karan alaosan suoraa osaa.

Sovita laikka/kiekkio sisälaippaan ja ruuvaa lukkomutteri siten, että sen uloke osoittaa alaspäin (kohti laikkaa).

► **Kuva12:** 1. Lukkomutteri 2. Upotetulla navalla varustettu laikka 3. Sisälaippa 4. Asennusosa

Kiristä lukkomutteri painamalla akselilukkoa voimakkaasti niin, ettei kara pääse pyörimään, ja kiristä lukkomutteri sitten lukkomutteriavaimella myötäpäivään kääntämällä.

► **Kuva13:** 1. Lukkomutteriavain 2. Akselilukko

Laikka irrotetaan päinvastaisessa järjestyksessä.

## Joustolaikan kiinnitys ja irrotus

### Lisävaruste

**VAROITUS:** Käytä aina mukana toimitettua suojusta, kun joustolaikka on kiinni työkalussa. Laikka voi hajota käytössä, joten suojus vähentää henkilövahingon riskiä.

► **Kuva14:** 1. Lukkomutteri 2. Joustolaikka 3. Varatyyny 4. Sisälaippa

Noudata upotetulla navalla varustettua laikkaa koskevia ohjeita, mutta käytä lisäksi laikan päällä varatyynyä. Katso asennusjärjestys tämän ohjeen lisävarustesivulta.

## Superlaippa

### Lisävaruste

Superlaippa on erikoisvaruste mallille, jossa EI ole jarrutoimintoa.

F-kirjaimella merkityissä malleissa on vakiovarusteena superlaippa. Sen ansiosta lukkomutterin avaamiseen tarvitaan vain 1/3 tavallisen laipan edellyttämästä aukaisuvoimasta.

## Ezynut-mutterin asennus tai irrotus

### Lisävaruste

Vain työkaluille, joiden karan kierre on M14.

**▲HUOMIO:** Älä käytä Ezynut-mutteria superlaipan kanssa. Nämä laipat ovat niin paksuja, että kara ei voi tukea koko kierrettä.

Kiinnitä sisälaippa, hiomalaikka ja Ezynut karaan niin, että Ezynutin Makita-logo näkyy ulospäin.

► **Kuva15:** 1. Ezynut 2. Hiomalaikka 3. Sisälaippa 4. Kara

Paina akselilukkoa tiukasti ja kiristä Ezynut kiertämällä hiomalaikkaa myötäpäivään niin pitkälle kuin se menee.

► **Kuva16:** 1. Akselilukko

Löysää Ezynut-mutteria kääntämällä Ezynutin ulkorengasta vastapäivään.

**HUOMAA:** Ezynut voidaan löysätä käsivoimin aina, kun nuoli on loven kohdalla. Muissa tapauksissa avaamiseen tarvitaan sakara-avainta. Sovita yksi avaimen sakara koloon ja kierrä Ezynutia vastapäivään.

► **Kuva17:** 1. Nuoli 2. Lovi

► **Kuva18**

## Hiomalaikan asentaminen tai irrottaminen

### Lisävaruste

► **Kuva19:** 1. Hiomalon lukkomutteri 2. Hiomalaikka 3. Kumityyny

1. Asenna kumityyny karaan.
2. Sovita laikka kumitynyyn ja kiinnitä hiomalaikan lukkomutteri karaan.
3. Pidätä karaa akselilukolla ja kiristä hiomalaikan lukkomutteria myötäpäivään lukkomutteriavaimella.

Irrota laikka päinvastaisessa järjestyksessä.

**HUOMAA:** Käytä vain tässä ohjekirjassa määritettyjä hiomakoneita. Ne on ostettava erikseen.

## Hiovan katkaisulaikan/timanttilaikan käyttäminen

### Lisävaruste

**▲VAROITUS:** Varmista hiomakatkaisu-/timanttilaikkaa käyttäessäsi, että käytät ainoastaan katkaisulaikoille tarkoitettua erikoislaikansuojusta.

(Joissakin Euroopan maissa voidaan käyttää timanttilaikan kanssa tavallista suojusta. Noudata oman maasi määräyksiä.)

**▲VAROITUS:** ÄLÄ KOSKAAN käytä katkoloikkaa sivun hiontaan.

Asenna sisälaippa karaan.

Sovita laikka/ kiekko sisälaippaan ja kierrä lukkomutteri karaan.

► **Kuva20:** 1. Lukkomutteri 2. Hiova katkaisulaikka/ timanttilaikka 3. Sisälaippa 4. Hiovan katkaisulaikan/timanttilaikan suojus

### Australia ja Uusi-Seelanti

► **Kuva21:** 1. Lukkomutteri 2. Ulkolaippa 78 3. Hiova katkaisulaikka/timanttilaikka 4. Sisälaippa 78 5. Hiovan katkaisulaikan/timanttilaikan suojus

## Teräskuppiharjan asentaminen

### Lisävaruste

**▲HUOMIO:** Älä käytä harjaa, jos se on vaurioitunut tai epätasapainossa. Vaurioituneen harjan käyttäminen voi aiheuttaa loukkaantumisvaaran katkenneiden harjasten takia.

► **Kuva22:** 1. Teräskuppiharja

Poista karassa mahdollisesti olevat lisävarusteet. Kierrä teräskuppiharja karaan ja kiristä se työkalun kiintoavaimella.

## Teräsharjalaikan asentaminen

### Lisävaruste

**▲HUOMIO:** Älä käytä teräsharjalaikkaa, jos se on vaurioitunut tai epätasapainossa. Vaurioituneen teräsharjalaikan käyttäminen voi aiheuttaa loukkaantumisvaaran katkenneiden harjasten takia.

**▲HUOMIO:** Käytä teräsharjalaikan kanssa AINA suojusta. Varmista, että laikka mahtuu suojuksen sisäpuolelle. Laikka voi hajota käytössä, joten suojus vähentää henkilövahingon riskiä.

► **Kuva23:** 1. Teräsharjalaikka

Poista karassa mahdollisesti olevat lisävarusteet. Kiinnitä teräsharjalaikka karaan ja kiristä se kiintoavaimella.

## Pölyä keräävän laikan suojuksen asennus

Pölyä keräävä laikan suojus hiomakäyttöön (malliin GA7080/GA7081/GA9080/GA9081)

► **Kuva24:** 1. Lukkomutteri 2. Timanttikuppilaikka 3. Navallinen timanttikuppilaikka 4. Sisälaippa 5. Pölyä keräävä laikan suojus 6. Laakeripesä

**▲VAROITUS:** Hiomakäyttöön tarkoitettua pölyä keräävää laikan suojusta tulee käyttää vain betonipintojen tasohiontaan timanttikuppilaikalla. Älä käytä sitä hiomakivien kanssa tai mihinkään muuhun kuin mainittuun käyttötarkoitukseen.

Pölyä keräävä laikan suojus katkaisukäyttöön (malliin GA9080/GA9081/GA9082)

► **Kuva25**

**HUOMAA:** Katso pölyä keräävän suojuksen asennusohjeet pölyä keräävän suojuksen käyttöohjeista.



## Pölynimurin kytkeminen

### Lisävaruste

**VAROITUS:** Älä koskaan imuroi käytön yhteydessä muodostuvia metallihiukkasia. Käytön aikana muodostuvat metallihiukkaset ovat niin kuumia, että ne voivat sytyttää pölynimurin sisäpuolella olevan pölyn ja suodattimen palamaan.

Kivimateriaalin sahaamisesta muodostuvan pölyisen ympäristön välttämiseksi, käytä pölyä keräävää laikan suojusta ja pölynimuria.

Katso pölyn keräävän laikan suojuksen käyttöohjeesta lisätietoja sen asentamisesta ja käytöstä.

► **Kuva26:** 1. Pölyä keräävää laikan suojusta katkaisukäyttöön 2. Pölynimurin letku

## TYÖSKENTELY

**VAROITUS:** Älä koskaan pakota konetta. Koneen oma paino riittää. Pakottaminen ja liiallinen painaminen voi aiheuttaa vaarallisen laikan rikkoutumisen.

**VAROITUS:** Vaihda laikka AINA, jos kone pääsee putoamaan hionnan aikana.

**VAROITUS:** ÄLÄ KOSKAAN iske tai kolhi laikkaa työkalupaleeseen.

**VAROITUS:** Vältä laikan pomppimista ja jumittumista varsinkin silloin, kun työstät nurkkia, teräviä reunoja ja niin edelleen. Seurauksena voi olla hallinnan menetys ja takapotkun.

**VAROITUS:** ÄLÄ KOSKAAN asenna koneeseen puun leikkaamiseen tarkoitettuja teriä tai muita sahanteriä. Kulmahiomakoneessa käytettynä nämä terät aiheuttavat usein takapotkun ja hallinnan menetys, jolloin seurauksena voi olla henkilövahinko.

**VAROITUS:** Kuluneet laikan käytön jatkaminen voi johtaa laikan räjähtämiseen ja vakavaan tapaturmaan.

**HUOMIO:** Älä koskaan käynnistä konetta, kun se koskettaa työkalupaleeseen, koska tämä voi aiheuttaa käyttäjälle vammoja.

**HUOMIO:** Käytä aina suojalaseja tai kasvosuojusta käytön aikana.

**HUOMIO:** Käytön jälkeen katkaise koneesta aina virta ja odota, kunnes laikka on täysin pysähtynyt ennen kuin lasket koneen käsistä.

**HUOMIO:** Ota työkalusta AINA tukeva ote toisen käden ollessa rungossa ja toisen käden ollessa sivukahvassa (kahva).

## Hionta

### ► Kuva27

Käynnistä kone ja vie sitten laikka työkalupaleeseen. Pidä yleisesti laikkaa noin 15°:een kulmassa työkalupaleen pintaan nähden.

Kun ajat sisään uuttaa laikkaa, älä käytä hiomakonetta hioaksesi eteenpäin, koska tällöin laikka voi leikata työkalupaleeseen. Sitten kun laikan reuna on pyöristynyt käytössä, konetta voidaan käyttää sekä eteenpäin että taaksepäin.

## Hiovan katkaisulaikan/timanttilaikan käyttäminen

### Lisävaruste

**VAROITUS:** Älä anna laikan juuttua kiinni tai työnnä sitä liiallisella voimalla. Älä yritä tehdä liian syvää uraa. Laikan liiallinen painaminen voi aiheuttaa laikan kiertymisen tai juuttumisen, takapotkun, laikan rikkoutumisen tai moottorin ylikuumenemisen.

**VAROITUS:** Älä aloita leikkaamista työkalu kiinni työstettävässä kappaleessa. Anna laikan saavuttaa täysi nopeus ja aseta se varovasti leikattavaan kohtaan työntämällä työkalua eteenpäin työstettävän kappaleen pinnan yli. Laikka saattaa juuttua, nousta ylös tai potkaista takaisin, jos työkalu käynnistetään kiinni työstettävässä kappaleessa.

**VAROITUS:** Leikkaustoiminnan aikana, älä koskaan vaihda laikan kulmaa. Jos sijoitat katkaisulaikkaan sivupainetta (kuten hiomisen aikana), se voi aiheuttaa laikan murtumisen ja katkeamisen, mikä voi aiheuttaa henkilövamman.

**VAROITUS:** Timanttilaikkaa on pidettävä koh-tisuorassa leikattavaan materiaaliin nähden.

Malleissa GA7080 ja GA9080 kytkinkahva on käännettävä.

**Käyttöesimerkki:** hiovan katkaisulaikan käyttäminen mallilla GA7080/GA9080

► Kuva28

**Käyttöesimerkki:** hiovan katkaisulaikan käyttäminen mallilla GA7081/GA7082/GA9081/GA9082

► Kuva29

**Käyttöesimerkki:** timanttilaikan käyttäminen mallilla GA7080/GA9080

► Kuva30

**Käyttöesimerkki:** timanttilaikan käyttäminen mallilla GA7081/GA7082/GA9081/GA9082

► Kuva31

## Teräskuppiharjan käyttö

### Lisävaruste

**⚠️HUOMIO:** Tarkista harjan toiminta käyttämällä työkalua ilman kuormitusta. Varmista, ettei kukaan ole harjan tiellä.

**HUOMAUTUS:** Vältä liiallista painamista, koska se voi aiheuttaa harjasten liiallista taipumista teräskuppiharjaa käytettäessä. Se voi aiheuttaa ennenaikaisen rikkoutumisen.

Käyttöesimerkki: teräskuppiharjan käyttäminen

► Kuva32

## Teräsharjalaikan käyttäminen

### Lisävaruste

**⚠️HUOMIO:** Tarkista teräsharjalaikan toiminta käyttämällä työkalua ilman kuormitusta. Varmista, ettei kukaan ole teräsharjalaikan tiellä.

**HUOMAUTUS:** Vältä liiallista painamista, koska se voi aiheuttaa harjasten liiallista taipumista harjalaikkaa käytettäessä. Se voi aiheuttaa ennenaikaisen rikkoutumisen.

Käyttöesimerkki: teräsharjalaikan käyttäminen

► Kuva33

## KUNNOSSAPITO

**⚠️HUOMIO:** Varmista aina ennen tarkastuksia ja huoltotoimia, että työkalu on sammutettu ja irrotettu virtalähteestä.

**HUOMAUTUS:** Älä koskaan käytä bensiiniä, ohenteita, alkoholia tai tms. aineita. Muutoin pinta voi halkeilla tai sen värit ja muoto voivat muuttua. Muutoin laitteeseen voi tulla värjäytymiä, muodon vääristymiä tai halkeamia.

Tuotteen TURVALLISUUDEN ja LUOTETTAVUUDEN takaamiseksi korjaukset, muut huoltotyöt ja säädöt on teetettävä Makitan valtuutetussa huoltopisteessä Makitan varaosia käyttäen.

**HUOMAA:** Älä löysää suojuksen ruuvia. Muutoin suojus voi avautua vahingossa.

► Kuva34: 1. Ruuvi

## Ilma-aukkojen puhdistaminen

Kone ja sen ilma-aukot on pidettävä puhtaina. Puhdista koneen ilma-aukot säännöllisesti tai aina kun ne alkavat tukkeutua.

► Kuva35: 1. Ilman poistoaukko 2. Ilman tuloaukko



# LISÄVARUSTEET

**⚠HUOMIO:** Seuraavia lisävarusteita tai laitteita suositellaan käytettäväksi tässä ohjeessa kuvatun Makita-työkalun kanssa. Muiden lisävarusteiden käyttö voi aiheuttaa henkilövahinkoja. Käytä lisävarusteita ja -laitteita vain niiden käyttötarkoituksen mukaisesti.

Jos tarvitset apua tai yksityiskohtaisempia tietoja seuraavista lisävarusteista, ota yhteys paikalliseen Makitan huoltoon.

► **Kuva36**

–	180 mm	230 mm
1	Sivukahva/silmukkakahva	
2	Laikan suojus upotetulla navalla varustetulle hiomalaikalle/lamellilaikalle/joustolaikalle/teräsharjalaikalle	
3	Sisälaippa/superlaippa *2	
4	Upotetulla navalla varustettu laikka / lamellilaikka	
5	Lukkomutteri/Ezynut-mutteri *1*2	
6	Hiovan katkaisulaikan / timanttilaikan suojus *3	
7	Sisälaippa 78 (vain Australia ja Uusi-Seelanti) *4	
8	Hiova katkaisulaikka / timanttilaikka	
9	Ulkolaippa 78 (vain Australia ja Uusi-Seelanti) *4	
10	Varatyyny	
11	Joustolaikka	
12	Kumityyny	
13	Hiomalaikka	
14	Hionnan lukkomutteri	
15	Teräsharjalaikka	
16	Teräskuppiharja	
17	–	Pölyä keräävän laikan suojuksen sivukahva
18	–	Pölyä keräävä laikan suojus katkaisukäyttöön *4
19	–	Superlaippa *2
20	–	Timanttilaikka
21	Tärinää vaimentavan timanttilaikan pölyä keräävä laikan suojus	
22	Tärinää vaimentava timanttilaikka	
–	Lukkomutteriavain	
–	Pölykannen kiinnitin	

**HUOMAA:** \*1 Vain työkaluille, joiden karan kierre on M14.

**HUOMAA:** \*2 Älä käytä superlaippaa ja Ezynutia yhdessä.

**HUOMAA:** \*3 Joissakin Euroopan maissa timanttilaikkaa käytettäessä voidaan käyttää tavallista suojusta molemmat puolet peittävän erikoislaikan sijaan. Noudata oman maasi määräyksiä.

**HUOMAA:** \*4 Käytä sisälaippaa 78 ja ulkolaikkaa 78 yhdessä. (Vain Australia ja Uusi-Seelanti)

**HUOMAA:** Jotkin luettelossa mainitut varusteet voivat sisältyä työkalun toimitukseen vakiovarusteina. Ne voivat vaihdella maittain.

## SPECIFIKATIONER

Model:	GA7080	GA7081	GA7082	GA9080	GA9081	GA9082
Skivediameter	180 mm			230 mm		
Maks. skivetykkelse	7,2 mm			6,5 mm		
Spindelgevind	M14 eller M16 eller 5/8"					
Nominel hastighed (n)	8.500 min <sup>-1</sup>			6.600 min <sup>-1</sup>		
Længde i alt	509 mm	461 mm		509 mm	461 mm	
Nettovægt	6,3 - 6,8 kg	6,1 - 6,6 kg	6,0 - 6,5 kg	6,5 - 8,6 kg	6,3 - 8,4 kg	6,2 - 8,3 kg
Sikkerhedsklasse	□/II					

- På grund af vores kontinuerlige forsknings- og udviklingsprogrammer kan hosstående specifikationer blive ændret uden varsel.
- Specifikationer kan variere fra land til land.
- Vægten kan være anderledes afhængigt af tilbehøret. Den letteste og tungeste kombination i henhold til EPTA-procedure 01/2014 er vist i tabellen.

### Tilsigtet anvendelse

Denne maskine er beregnet til afslibning, sandslibning og skæring i metal- og stenmaterialer uden anvendelse af vand.

### Strømforsyning

Maskinen må kun tilsluttes en strømforsyning med samme spænding som angivet på typeskiltet og kan kun anvendes på enfaset vekselstrømforsyning. Den er dobbeltisoleret og kan derfor også tilsluttes netstik uden jordforbindelse.

### For offentlige lavspændingsnet på mellem 220 V og 250 V

#### Kun for model GA7082 / GA9082

Tænd og sluk af elektriske apparater medfører spændingsvingninger. Anvendelse af denne maskine under ugunstige lysnetforsyningsforhold kan have negativ indflydelse på driften af andet udstyr. Ved en netimpedans svarende til eller mindre end 0,20 ohm, kan det antages, at der ikke vil være negative påvirkninger. Stikkontakten, der anvendes til denne maskine, skal være beskyttet med en sikring eller en beskyttelsesafbryder med træg udløsning.

### Støj

Det typiske A-vægtede støjniveau bestemt i overensstemmelse med EN60745-2-3:

Model	Lydtrykniveau (L <sub>PA</sub> ): (dB (A))	Lydeffektniveau (L <sub>WA</sub> ): (dB (A))	Usikkerhed (K): (dB (A))
GA7080	91	102	3
GA7081	91	102	3
GA7082	91	102	3
GA9080	92	103	3
GA9081	92	103	3
GA9082	92	103	3

**BEMÆRK:** De(n) angivne støjemissionsværdi(er) er målt i overensstemmelse med en standardtestmetode og kan anvendes til at sammenligne en maskine med en anden.

**BEMÆRK:** De(n) angivne støjemissionsværdi(er) kan også anvendes i en præliminær eksponeringsvurdering.

**⚠ ADVARSEL:** Bær høreværn.

**⚠ ADVARSEL:** Støjemissionen under den faktiske anvendelse af maskinen kan være forskellig fra de(n) angivne værdi(er), afhængigt af den måde hvorpå maskinen anvendes, især den type arbejdsemne der behandles.

**⚠ ADVARSEL:** Sørg for at identificere de sikkerhedsforskrifter til beskyttelse af operatøren, som er baseret på en vurdering af eksponering under de faktiske brugsforhold (med hensyntagen til alle dele i brugscyklussen, f.eks. de gange, hvor maskinen er slukket, og når den kører i tomgang i tilgift til afbrydertiden).

## Vibration

Vibrationens totalværdi (tre-aksial vektorsum) bestemt i overensstemmelse med EN60745-2-3:

### Funktionstilstand: overfladeslibning med normalt sidehåndtag

Model	Vibrationsafgivelse ( $a_{h, AG}$ ): ( $m/s^2$ )	Usikkerhed (K): ( $m/s^2$ )
GA7080	5,6	1,5
GA7081	6,8	1,5
GA7082	6,8	1,5
GA9080	5,2	1,5
GA9081	6,3	1,5
GA9082	6,3	1,5

### Funktionstilstand: overfladeslibning med anti-vibrations-sidehåndtag

Model	Vibrationsafgivelse ( $a_{h, AG}$ ): ( $m/s^2$ )	Usikkerhed (K): ( $m/s^2$ )
GA7080	5,9	1,5
GA7081	7,3	1,5
GA7082	7,3	1,5
GA9080	5,3	1,5
GA9081	5,4	1,5
GA9082	5,4	1,5

### Funktionstilstand: disksandslibning med normalt sidehåndtag

Model	Vibrationsafgivelse ( $a_{h, AG}$ ): ( $m/s^2$ )	Usikkerhed (K): ( $m/s^2$ )
GA7080	3,6	1,5
GA7081	3,2	1,5
GA7082	3,2	1,5
GA9080	2,5 $m/s^2$ eller mindre	1,5
GA9081	2,7	1,5
GA9082	2,7	1,5

### Funktionstilstand: disksandslibning med anti-vibrations-sidehåndtag

Model	Vibrationsafgivelse ( $a_{h, AG}$ ): ( $m/s^2$ )	Usikkerhed (K): ( $m/s^2$ )
GA7080	3,9	1,5
GA7081	3,1	1,5
GA7082	3,1	1,5
GA9080	2,5 $m/s^2$ eller mindre	1,5
GA9081	3,1	1,5
GA9082	3,1	1,5

**BEMÆRK:** De(n) angivne totalværdi(er) for vibration er målt i overensstemmelse med en standardtestmetode og kan anvendes til at sammenligne en maskine med en anden.

**BEMÆRK:** De(n) angivne totalværdi(er) for vibration kan også anvendes i en præliminær eksponeringsvurdering.

**⚠ ADVARSEL:** Vibrationsemissionen under den faktiske anvendelse af maskinen kan være forskellig fra de(n) angivne værdi(er), afhængigt af den måde hvorpå maskinen anvendes, især den type arbejdsemne der behandles.

**⚠ ADVARSEL:** Sørg for at identificere de sikkerhedsforskrifter til beskyttelse af operatøren, som er baseret på en vurdering af eksponering under de faktiske brugsforhold (med hensyntagen til alle dele i brugscykklussen, f.eks. de gange, hvor maskinen er slukket, og når den kører i tomgang i tilgift til afbrydertiden).

**⚠ ADVARSEL:** Den erklærede værdi for vibrationsemission gælder for el-værktøjets primære anvendelser. Hvis el-værktøjet imidlertid anvendes til andre formål, kan værdien for vibrationsemission være anderledes.

## Overensstemmelseserklæringer

### Kun for lande i Europa

Overensstemmelseserklæringerne er inkluderet i Bilag A i denne brugsanvisning.

## SIKKERHEDSADVARSLER

### Almindelige sikkerhedsregler for el-værktøj

**⚠ADVARSEL** Læs alle sikkerhedsadvarsler, instruktioner, illustrationer og specifikationer, der følger med denne maskine. Hvis du ikke følger alle nedenstående instruktioner, kan det medføre elektrisk stød, brand og/eller alvorlig personskade.

### Gem alle advarsler og instruktioner til fremtidig reference.

Ordet "el-værktøj" i advarslerne henviser til det netforsyede (netledning) el-værktøj eller batteriforsyede (akku) el-værktøj.

### Sikkerhedsadvarsler for sliber

Almindelige sikkerhedsadvarsler for arbejde med slibning, slibning med sandpapir, trådbørstning eller slibende afskæring:

1. Denne maskine er beregnet til at fungere som en sliber, slibemaskine med sandpapir, trådbørste eller afskæringsværktøj. Læs alle de sikkerhedsadvarsler, instruktioner, illustrationer og specifikationer, som følger med denne maskine. Forsømmelse af at følge alle instruktionerne herunder kan resultere i elektrisk stød, brand og/eller alvorlig tilskadekomst.
2. Det anbefales ikke at udføre operationer som for eksempel polering med denne maskine. Anvendelse, som maskinen ikke er beregnet til, kan være farligt og føre til personskade.
3. Anvend ikke tilbehør, som ikke er specifikt lavet og anbefalet af maskinens fabrikant. Den omstændighed, at tilbehøret kan monteres på din maskine, er ingen garanti for, at anvendelsen bliver sikkerhedsmæssig forsvarlig.
4. Tilbehørets nominelle hastighed skal være beregnet til mindst den samme som den maksimale hastighed, som er anført på maskinen. Tilbehør, som kører med en større hastighed end deres nominelle hastighed, kan brække og slynges af.
5. Tilbehørets ydre diameter og tykkelse skal være inden for din maskines kapacitetsrating. Tilbehør med en forkert størrelse kan ikke beskyttes eller styres tilstrækkeligt.
6. Gevindmontering af tilbehør skal passe til maskinens spindelgevind. For tilbehør, som monteres med flanger, skal dornhullet på tilbehøret passe til lokaliseringsdiametere på flangen. Tilbehør, som ikke passer til maskinens monteringsdele, vil miste balancen, vibrere ekstremt og kan føre til tab af kontrol.

7. Anvend ikke beskadiget tilbehør. Inspicer altid tilbehøret inden brugen, som for eksempel slibeskiver, for skår og revner, bagskiven for revner, slitage eller ekstrem nedslidning, trådbørsten for løse eller revnede tråde. Hvis maskinen eller tilbehøret tabes, skal de eftersees for skade, eller en ubeskadiget tilbehørsdel skal monteres. Efter inspektion og montering af tilbehør, skal De og omkringstående stå på god afstand af det roterende tilbehørs flade, og maskinen skal køres på højeste, ubelastede hastighed i et minut. Beskadiget tilbehør vil normalt brække under prøvetiden.
8. Anvend personligt beskyttelsesudstyr. Afhængigt af brugen skal der anvendes ansigtsskærm, beskyttelsesbriller eller sikkerhedsbriller. Anvend, alt efter forholdene, støvmaske, høreværn, handsker og forklæde, som kan stoppe små slibningsstykker eller fragmenter fra arbejdsmenet. Øjenbeskyttelsen skal kunne stoppe afslyngede stykker, som er frembragt af forskelligt arbejde. Støvmasken og respiratoren skal være i stand til at filtrere partikler, som er frembragt af arbejdet. Længere tids udsættelse for støj af høj intensitet kan medføre høretab.
9. Hold tilskuere på god afstand af arbejdsområdet. Enhver person, som befinder sig i arbejdsområdet, skal bære personligt beskyttelsesudstyr. Fragmenter fra arbejdsmenet eller fra brækket tilbehør kan blive slynget af og være årsag til tilskadekomst, også uden for det umiddelbare arbejdsområde.
10. Hold kun maskinen i de isolerede gribeblader, når der udføres et arbejde, hvor det skærende tilbehør kan komme i berøring med skjulte ledninger eller dets egen ledning. Skærende tilbehør, som kommer i berøring med en strømførende ledning, kan bevirke, at udsatte metaldele på maskinen bliver ledende, hvorved operatøren kan få stød.
11. Anbring altid ledningen, så den ikke kommer i kontakt med drejende tilbehør. Hvis De mister herredømmet over maskinen, kan ledningen blive skåret over eller sætte sig fast, og Deres hånd eller arm kan komme i kontakt med det roterende tilbehør.
12. Læg aldrig maskinen fra Dem, før tilbehøret er stoppet fuldstændigt. Det roterende tilbehør kan gribe fat i overfladen, hvilket kan bevirke, at De mister herredømmet over maskinen.
13. Lad ikke maskinen køre, mens De bærer den ved siden. Utilsigtet kontakt med det roterende tilbehør kan gribe fat i tøj og derved trække tilbehøret ind mod kroppen.
14. Rengør maskinens ventilationsåbninger med jævne mellemrum. Motorens vifte vil trække støv ind i huset, og en kraftig ophobning af metalstøv kan skabe elektrisk fare.
15. Anvend ikke maskinen i nærheden af brændbare materialer. Disse materialer kan blive antændt af gnister.
16. Anvend ikke tilbehør, der kræver kølevæske. Anvendelse af vand eller anden kølevæske kan resultere i dødelige stød eller elektriske stød.

## Tilbageslag og relaterede advarsler

Tilbageslag er en pludselig reaktion på en fastklemt eller blokeret roterende skive, bagskive, børste eller andet tilbehør. En fastklemt eller blokeret del forårsager hurtig standsning af det roterende tilbehør, som derved bliver årsag til, at den ukontrollerede maskine bliver tvunget i den modsatte retning af tilbehørets rotation ved punktet for bindingen.

Hvis for eksempel en slibeskive er blokeret eller fastklemt af arbejdsemnet, kan kanten på skiven, som går ind i fastklemningspunktet, grave sig ind i materialets overflade og derved bevirke, at skiven kommer ud eller presses ud. Skiven kan enten slynges mod eller bort fra operatøren, afhængigt af skivens bevægelse på fastklemningspunktet. Slibeskiver kan også brække under disse forhold.

Tilbageslag er resultatet af misbrug af maskinen og/eller fejlagtig anvendelse eller forkerte brugsforhold og kan undgås ved at man tager de rigtige forholdsregler som vist herunder.

1. **Hold godt fast i maskinen og hold kroppen og armen således, at De kan modvirke tilbageslagskraften. Anvend altid hjælpéhåndtaget, hvis et sådant medfølger, til at opnå maksimal kontrol af tilbageslag og drejningsmomentreaktion under starten.** Operatøren kan kontrollere drejningsmomentreaktion eller tilbageslagskraft, hvis de rigtige forholdsregler tages.
2. **Anbring aldrig hænderne i nærheden af det roterende tilbehør.** De risikerer at få hånden ind i tilbageslagets bane.
3. **Stil Dem ikke i det område, hvor maskinen vil bevæge sig, hvis der opstår tilbageslag.** Tilbageslag vil slynge maskinen i den modsatte retning af skivens omdrejning på blokerings-tidspunktet.
4. **Vær særlig omhyggelig, når De arbejder på hjørner, skarpe kanter osv. Undgå at bumpere eller blokere tilbehøret.** Hjørner, skarpe kanter eller bumpen har tendens til at blokere det roterende tilbehør og forårsage tab af kontrol eller tilbageslag.
5. **Monter ikke en savkæde, træskæreklinge eller en savklinge med tænder.** Sådanne klinger giver hyppige tilbageslag og tab af kontrol.

## Særlige sikkerhedsadvarsler for arbejde med slibning og afskæring:

1. **Anvend kun skivetyper, som anbefales til din maskine og den specielle beskyttelsesskærm, som er beregnet til den valgte skive.** Skiver, for hvilke maskinen ikke er beregnet, kan ikke afskærmes tilstrækkeligt og er ikke sikkerhedsmæssigt forsvarlige.
2. **Slibeflader på forsænkede centerskiver skal monteres under beskyttelsesskærmerkantens flade.** En forkert monteret skive, som stikker ud fra beskyttelsesskærmerkantens flade, kan ikke beskyttes tilstrækkeligt.
3. **Beskyttelsesskærmen skal være ordentligt monteret på maskinen og placeret, så den optimale sikkerhed opnås, således at mindst muligt af skiven vender mod operatøren.** Beskyttelsesskærmen bidrager til at beskytte operatøren mod afbrækkede skivefragmenter og utilsigtet kontakt med skiven og gnister, der kan antænde tøjet.

4. **Skiver må kun anvendes til de anbefalede opgaver. For eksempel: slib ikke med siden af en afskæringsskive.** Slibende afskæringsskiver er beregnet til periferisk slibning. Hvis disse skiver udsættes for sidetryk, kan resultatet blive, at de brækker.
5. **Anvend altid ubeskadigede skiveflanger, som har den rigtige størrelse og form til den valgte skive.** Rigtige skiveflanger støtter skiven, hvorved risikoen for skivebrud nedsættes. Flanger til afskæringsskiver kan være anderledes end slibeskiveflanger.
6. **Anvend ikke nedslidte skiver fra større maskiner.** Skiver, som er beregnet til større maskiner, er ikke egnede til en mindre maskines højere hastighed og kan brække.

## Supplerende sikkerhedsadvarsler for arbejde med slibende afskæring:

1. **Vær påpasselig med ikke at "klemme" afskæringsskiven fast eller udsætte den for et ekstremt tryk. Forsøg ikke at lave et snit af ekstremt dybde.** Et for stort pres på skiven vil øge belastningen og risikoen for at skiven vrider eller binder i snittet med risikoen for tilbageslag eller brud på skiven til følge.
2. **Stå ikke på linje med eller bag den roterende skive.** Når skiven under anvendelse drejer bort fra Dem, kan et muligt tilbageslag bevirke, at den roterende skive og maskinen slynges direkte mod Dem.
3. **Hvis skiven binder eller hvis en skæring af en eller anden årsag afbrydes, skal De slukke for maskinen og holde den ubevægelig, indtil skiven er holdt helt op med at dreje. Forsøg aldrig at fjerne afskæringsskiven fra snittet, mens skiven er i bevægelse, da dette kan føre til tilbageslag.** Undersøg problemet og tag de rigtige forholdsregler for at eliminere årsagen til at skiven binder.
4. **Lad være med at starte skæringen i arbejdsemnet. Lad skiven komme op på fuld hastighed og gå derefter forsigtigt ind i snittet igen.** Skiven kan binde, presses op eller give tilbageslag, hvis maskinen startes igen i arbejdsemnet.
5. **Understøt paneler eller alle arbejdsemner i overstørrelse for at minimere risikoen for fastklemning af skiven og tilbageslag.** Store arbejdsemner har tendens til at synke sammen under deres egen vægt. Der skal anbringes støtteanordninger under arbejdsemnet i nærheden af snitlinjen og nær kanten på arbejdsstykket på begge sider af skiven.
6. **Vær ekstra forsigtig, når De laver et "lommesnit" i eksisterende vægge eller andre blinde områder.** Den fremspringende skive kan komme til at skære i gas- og vandrør, elektriske ledninger eller genstande, som kan forårsage tilbageslag.

## Særlige sikkerhedsadvarsler for slibning med sandpapir:

1. **Anvend ikke sandpapir af overstørrelse. Følg fabrikantens anbefalinger, når De vælger sandpapir.** Større sandpapir, som går ud over sandpapriskiven, udgør en fare for sønderrivelse og kan medføre blokering og beskadigelse af skiven eller være årsag til tilbageslag.

### Særlige sikkerhedsadvarsler for trådbørstning:

1. Vær opmærksom på, at trådbørstehårene afstødes fra børsten selv under almindelig anvendelse. Udsæt ikke trådbørstehårene for et for stort tryk ved at trykke for kraftigt på børsten. Trådbørstehårene kan nemt gennemtrænge tynde klæder og/eller huden.
2. Hvis anvendelse af en beskyttelseskærm ved trådbørstning anbefales, må man ikke tillade interferens af trådkiven eller børsten med beskyttelseskærmen. Trådkiven eller børsten kan udvide sig i diameter på grund af arbejdsbelastningen og centrifugalkraften.

### Supplerende sikkerhedsadvarsler:

1. Hvis der anvendes forsænkede centerskiver, skal man sørge for kun at anvende fiberglasforstærkede skiver.
2. ANVEND ALDRIG skiver af stenkop-typen med denne sliber. Denne sliber er ikke beregnet til disse typer skiver, og anvendelse af et sådant produkt kan resultere i alvorlig tilskadekomst.
3. Vær påpasselig med ikke at komme til at beskade spindlen, flangen (specielt monteringsfladen) eller låsemøtrikken. Beskadigelse af disse dele kan resultere i, at skiven brækker.
4. Sørg for, at skiven ikke er i berøring med arbejdsområdet, inden De tænder for maskinen med afbryderen.
5. Inden De begynder at anvende maskinen på et rigtigt arbejdsområde, skal De lade den køre i et stykke tid. Vær opmærksom på vibrationer eller slør, som kan være tegn på dårlig montage eller en forkert afbalanceret skive.
6. Anvend den specificerede overflade på skiven til at udføre slibningen.
7. Læg ikke maskinen fra Dem, mens den stadig kører. Anvend kun maskinen som håndværktøj.
8. Berør ikke arbejdsområdet lige efter at arbejdet er udført. Det kan blive meget varmt og være årsag til forbrændinger.
9. Undgå at berøre tilbehør umiddelbart efter arbejdets ophør. Det kan være meget varmt og kan forårsage forbrændinger af huden.
10. Overhold altid fabrikantens instruktioner for korrekt montage og anvendelse af skiver. Behandl og opbevar skiver med forsigtighed.
11. Anvend ikke separate reduktionsbøsninger eller adaptere til at tilpasse slibeskiver med store centerhuller til maskinen.
12. Anvend kun de specificerede flanger til denne maskine.
13. Ved anvendelse af maskiner, der er beregnet til montage af slibeskiver med gevindforsynet hul, skal det altid sikres, at gevindet i skiven er langt nok i forhold til spindellængden.
14. Kontrollér at emnet er korrekt understøttet.
15. Forsigtig! Skiven fortsætter med at rotere, efter at der slukket for maskinen.
16. Hvis arbejdsstedet er ekstremt varmt eller fugtigt, eller slømt tilslavet med ledende støv, bør der anvendes en kortslutningsafbryder (30 mA) for at garantere sikkerheden under arbejdet.

17. Anvend aldrig maskinen på materialer, der indeholder asbest.
18. Anvend altid den støvopsamlende beskyttelseskærm, som er påkrævet ifølge de lokale regler, når afskæringsskiven anvendes.
19. Skæreskiver må ikke udsættes for tryk fra siden.
20. Anvend ikke stofarbejdsdhandsker under brugen. Fibre fra stofhandsker kan muligvis trænge ind i maskinen, hvilket forvolder skade på maskinen.
21. Sørg for, at der ikke er nogen elledninger, vandrør, gasrør osv., der kan udgøre en fare, hvis de beskadiges ved brug af maskinen.

## GEM DISSE FORSKRIFTER.

**⚠ ADVARSEL:** LAD IKKE bekvemmelighed eller kendskab til produktet (opnået gennem gentagen brug) forhindre, at sikkerhedsforskrifterne for produktet nøje overholdes. MISBRUG eller forsømmelse af at følge de i denne brugsvejledning givne sikkerhedsforskrifter kan medføre alvorlig personskade.

## FUNKTIONSBESKRIVELSE

**⚠ FORSIGTIG:** Kontrollér altid, at maskinen er slået fra, og at netstikket er trukket ud, før der udføres justeringer, eller funktioner kontrolleres på maskinen.

### Aksellås

Tryk på aksellåsen for at forhindre, at spindlen roterer, når tilbehør monteres eller afmonteres.

► Fig.1: 1. Aksellås

**BEMÆRKNING:** Udløs aldrig aksellåsen, mens spindlen bevæger sig. Maskinen kan lide skade.

## Monteringspositioner på kontakthåndtag

Kun for model GA7080 / GA9080

**⚠ FORSIGTIG:** Sørg altid for, at kontakthåndtaget er låst fast i den ønskede position før anvendelse.

Kontakthåndtaget kan drejes enten 90° til venstre eller højre, så det passer til dine arbejdsbehov. Tag først maskinen ud af stikkontakten. Tryk på låseknappen, og drej kontakthåndtaget helt til venstre eller højre. Kontakthåndtaget låses i den position.

► Fig.2: 1. Motorhus 2. Låseknep 3. Håndtag

## Afbryderfunktion

**⚠FORSIGTIG:** Før maskinen sættes i stikkontakten, skal De altid kontrollere, at afbryderknappen fungerer korrekt og returnerer til "OFF"-positionen, når den slippes.

**⚠FORSIGTIG:** Sørg for at slukke for maskinen i tilfælde af strømafbrydelse eller ved nedlukning ved et uheld, f.eks. ved at netledningen tages ud af stikkontakten. Ellers vil maskinen starte uventet, når strømforsyningen gendannes, og medføre en ulykke eller personskade.

Der er tre mønstre for afbryderfunktionen afhængigt af land.  
► Fig.3: 1. Afbryderknop 2. Låsearm

## For maskiner med låsekontakt

### Landespecifik

**⚠FORSIGTIG:** Kontakten kan låses i "ON"-stillingen for at gøre det nemmere for brugeren ved længere tids brug af maskinen. Vær forsigtig, når maskinen låses i "ON"-stillingen, og hold godt fast i maskinen.

For at starte maskinen skal du blot trykke på afbryderknappen (i retning mod B). Slip afbryderknappen for at stoppe. For kontinuerlig brug skal du trykke på afbryderknappen (i retning mod B) og derefter trykke låsearmen ind (i retning mod A). For at stoppe maskinen fra den låste position skal du trykke afbryderknappen helt ind (i retning mod B) og derefter slippe den.

## For maskiner med lås-fra-kontakt

### Landespecifik (herunder Australien og New Zealand)

For at forhindre, at der trykkes på afbryderknappen ved et uheld, er maskinen forsynet med en låsearm. For at starte maskinen skal du trykke på låsearmen (i retning mod A) og derefter trykke på afbryderknappen (i retning mod B). Slip afbryderknappen for at stoppe.

**BEMÆRKNING:** Tryk ikke hårdt på afbryderknappen uden at trykke låsearmen ind. Dette kan forårsage brud på kontakten.

## For maskiner med låse- og lås-fra-kontakt

### Landespecifik

**⚠FORSIGTIG:** Kontakten kan låses i "ON"-stillingen for at gøre det nemmere for brugeren ved længere tids brug af maskinen. Vær forsigtig, når maskinen låses i "ON"-stillingen, og hold godt fast i maskinen.

For at forhindre, at der trykkes på afbryderknappen ved et uheld, er maskinen forsynet med en låsearm. For at starte maskinen skal du trykke på låsearmen (i retning mod A) og derefter trykke på afbryderknappen (i retning mod B). Slip afbryderknappen for at stoppe. For kontinuerlig brug skal du trykke på låsearmen (i retning mod A), trykke på afbryderknappen (i retning mod B) og derefter trække låsearmen (i retning mod C). For at stoppe maskinen fra den låste position skal du trykke afbryderknappen helt ind (i retning mod B) og derefter slippe den.

**BEMÆRKNING:** Tryk ikke hårdt på afbryderknappen uden at trykke låsearmen ind. Dette kan forårsage brud på kontakten.

## Indikatorlampe

**Kun for model GA7080 / GA7081 / GA9080 / GA9081**

► Fig.4: 1. Indikatorlampe

Indikatorlampen lyser grønt, når maskinen er tilsluttet. Hvis indikatorlampen ikke lyser, er netledningen eller kontrolløren muligvis defekt. Indikatorlampen lyser, men maskinen starter ikke, selvom maskinen er tændt, kulbørsterne kan være slidte, eller kontrolløren, motoren eller kontakten kan være defekt.

## Sikring mod utilsigtet start

**Kun for model GA7080 / GA7081 / GA9080 / GA9081**

Maskinen starter ikke med afbryderen i lås-til stilling, selv hvis maskinen er tilsluttet. I så fald blinker indikatorlampen rødt for at vise, at sikringsenheden mod utilsigtet start fungerer. For at annullere sikringen mod utilsigtet start skal du sætte kontakten tilbage i FRA-positionen.

**BEMÆRK:** Vent i mere end et sekund, før maskinen genstartes, når sikringen mod utilsigtet start fungerer.

## Funktion for blød start

**Kun for model GA7080 / GA7081 / GA9080 / GA9081**

Funktionen for blød start reducerer startreaktionen.

## SAMLING

**⚠FORSIGTIG:** Sørg altid for, at maskinen er slukket og taget ud af forbindelse, inden der udføres nogen form for arbejde på maskinen.

## Montering af sidehåndtag

**⚠FORSIGTIG:** Sørg altid for, at sidehåndtaget er ordentligt monteret inden brugen.

**⚠FORSIGTIG:** Du kan montere sidehåndtaget på de 3 huller. Monter sidehåndtaget på et af hullerne i overensstemmelse med anvendelsen.

Skru sidehåndtaget ordentligt på maskinen på det på illustrationen viste sted.

► Fig.5



## Montering eller afmontering af bøjlehåndtag

### Ekstraudstyr

**⚠️FORSIGTIG:** Sørg altid for, at boltene på bøjlehåndtaget er forsvarligt tilspændt før brugen.

**⚠️FORSIGTIG:** Hold i gribeområdet på bøjlehåndtaget som vist på figuren. Hold desuden altid hånden på afstand af sliberens metaldele under brugen. Man kan få elektrisk stød ved at berøre metaldelen, hvis skæretilbehøret uventet skærer i en strømførende ledning.

Bøjlehåndtaget kan være mere behageligt end det originale sidehåndtag til visse anvendelser. For at montere bøjlehåndtaget, skal du montere det på maskinen som vist og tilspænde to bolte for at fastgøre det.

For at afmontere bøjlehåndtaget skal du følge monteringsproceduren i omvendt rækkefølge.

► **Fig.6:** 1. Bøjlehåndtag 2. Bolt 3. Gribeområde

## Montering og afmontering af beskyttelsesskærm (til forsænket centerskive, bladdisk, flex-skive, trådskivebørste / slibende afskæringsskive, diamantskive)

**⚠️ADVARSEL:** Ved brug af en forsænket centerskive, bladdisk, flex-skive eller trådskivebørste skal beskyttelsesskærmen monteres på maskinen, så den lukkede side af skærmen altid vender mod operatøren.

**⚠️ADVARSEL:** Ved brug af en slibende afskæringsskive / diamantskive skal man sørge for kun at anvende den særlige beskyttelsesskærm, der er beregnet til brug med afskæringsskiver.

(I nogle lande i Europa kan den almindelige beskyttelsesskærm anvendes, når man anvender en diamantskive. Følg bestemmelserne for det pågældende land.)

## For maskiner med beskyttelsesskærm af låseskruetypen

Monter beskyttelsesskærmen, så fremspringet på båndet på beskyttelsesskærmen er ud for indhakkene på kuglelejevoksen. Drej derefter beskyttelsesskærmen til en sådan vinkel at den kan beskytte operatøren i overensstemmelse med arbejdet. Sørg for at stramme skruen godt til.

Følg fremgangsmåden til montering i modsat rækkefølge for at afmontere beskyttelsesskærmen.

► **Fig.7:** 1. Beskyttelsesskærm 2. Kuglelejevoks 3. Skruer

## For maskiner med beskyttelsesskærm af klæmmearmtypen

### Ekstraudstyr

**⚠️ADVARSEL:** Beskyttelsesskærmen skal monteres på maskinen, så den lukkede side af skærmen altid peger mod operatøren.

Løsn møtrikken, og træk derefter armen i pilens retning.

► **Fig.8:** 1. Møtrik 2. Arm

Monter beskyttelsesskærmen med fremspringene på beskyttelsesskærmens bånd justeret med indhakkene på kuglelejevoksen. Drej derefter beskyttelsesskærmen til en sådan vinkel, at den kan beskytte operatøren i overensstemmelse med arbejdet.

► **Fig.9:** 1. Beskyttelsesskærm 2. Kuglelejevoks

► **Fig.10:** 1. Beskyttelsesskærm

Tilspænd møtrikken sikkert ved hjælp af en skrueøgle, og luk derefter armen i pilens retning for at fastgøre beskyttelsesskærmen. Hvis armen er for stram eller for løs til at fastgøre beskyttelsesskærmen, skal du åbne armen og derefter løse eller tilspænde møtrikken ved hjælp af skrueøglen for at justere tilspændingen af beskyttelsesskærmens bånd.

► **Fig.11:** 1. Møtrik 2. Arm

Følg monteringsproceduren i omvendt rækkefølge for at afmontere beskyttelsesskærmen.

## Montering eller afmontering af forsænket centerskive eller bladdisk

### Ekstraudstyr

**⚠️ADVARSEL:** Når en forsænket centerskive eller bladdisk anvendes, skal beskyttelsesskærmen sættes på maskinen, så den lukkede side af skærmen altid er rettet mod operatøren.

**⚠️FORSIGTIG:** Sørg for, at monteringsdelen af den indvendige flange passer perfekt ind i den indvendige diameter på den forsænkede centerskive / bladdisken. Monteres den indvendige flange på den forkerte side, kan det medføre farlig vibration.

Monter den indvendige flange på spindlen.

Sørg for, at anbringe den bulende del af den indvendige flange på den lige del nederst på spindlen.

Monter skiven/disken på den indvendig flange, og skru låsemøtrikken med fremspringet nedad (vendt mod hjulet).

► **Fig.12:** 1. Låsemøtrik 2. Forsænket centerskive 3. Indvendig flange 4. Monteringsdel

Låsemøtrikken strammes ved at man trykker fast på aksellåsen, så spindlen ikke kan dreje, og derefter anvender låsemøtriknøglen til at stramme godt til i retningen med uret.

► **Fig.13:** 1. Låsemøtriknøgle 2. Aksellås

Gå frem i modsat rækkefølge af monteringsproceduren, når skiven skal tages af.



## Montering og afmontering af flex-skive

### Ekstraudstyr

**⚠ ADVARSEL:** Brug altid den medfølgende beskyttelsesskærm, når flex-skiven er monteret på maskinen. Skiven kan brække under brugen, og beskyttelsesskærmen bidrager til at reducere risikoen for tilskadekomst.

- **Fig.14:** 1. Låsemøtrik 2. Flex-skive 3. Bagskive 4. Indvendig flange

Følg instruktionerne for den forsænkede centerskive, men brug også bagskiven over skiven. Se rækkefølgen for samling på siden med beskrivelse af tilbehør i denne brugsanvisning.

## Superflange

### Ekstraudstyr

Superflange er et særligt tilbehør til en model, som IKKE er udstyret med en bremsefunktion.

Modeller med bogstavet F er udstyret med en superflange som standard. Der behøves kun 1/3 kraft til at løsne låsemøtrikken i forhold til den almindelige type.

## Montering eller fjernelse af Ezynut

### Ekstraudstyr

**Kun for maskiner med M14-spindelgevind.**

**⚠ FORSIGTIG:** Brug ikke Ezynut sammen med superflange. Disse flanger er så tykke, at hele gevindet ikke kan skrues ind i spindlen.

Monter den indvendige flange, slibeskiven og Ezynut på spindlen, så Makita-logoet på Ezynut vender udad.

- **Fig.15:** 1. Ezynut 2. Slibeskive 3. Indvendig flange 4. Spindel

Tryk fast på aksellåsen, og stram Ezynut ved at dreje slibeskiven i retningen med uret, så langt som den kan komme.

- **Fig.16:** 1. Aksellås

Hvis du vil løsne Ezynut, skal du dreje den udvendige ring på Ezynut i retningen mod uret.

**BEMÆRK:** Ezynut kan løsnes i hånden, så længe pilen peger mod hakket. Ellers skal der bruges en låsemøtriknøgle til at løsne den. Sæt en stift på nøglen i hullet, og drej Ezynut i retningen mod uret.

- **Fig.17:** 1. Pil 2. Hak  
► **Fig.18**

## Montering og afmontering af slibedisk

### Ekstraudstyr

- **Fig.19:** 1. Sandslibelåsemøtrik 2. Slibedisk 3. Gummipude

1. Monter gummipuden på spindlen.
2. Monter disken på gummipuden og skru sandslibelåsemøtrikken på spindlen.
3. Hold spindlen med aksellåsen og spænd sandslibelåsemøtrikken ordentligt til i urets retning med låsemøtriknøglen.

Følg fremgangsmåden til montage i modsat rækkefølge for at afmontere disken.

**BEMÆRK:** Brug sandslibetilbehør, som er specificeret i denne brugsanvisning. Dette skal anskaffes separat.

## Anvendelse med slibende afskæringsskive / diamantskive

### Ekstraudstyr

**⚠ ADVARSEL:** Ved brug af en slibende afskæringsskive / diamantskive skal man sørge for kun at anvende den særlige beskyttelsesskærm, der er beregnet til brug med afskæringsskiver.

(I nogle lande i Europa kan den almindelige beskyttelsesskærm anvendes, når man anvender en diamantskive. Følg bestemmelserne for det pågældende land.)

**⚠ ADVARSEL:** Anvend ALDRIG en afskæringsskive til sideslibning.

Monter den indvendige flange på spindlen.

Monter skiven / disken på den indvendige flange, og skru låsemøtrikken på spindlen.

- **Fig.20:** 1. Låsemøtrik 2. Slibende afskæringsskive / diamantskive 3. Indvendig flange 4. Beskyttelsesskærm til slibende afskæringsskive / diamantskive

### For Australien og New Zealand

- **Fig.21:** 1. Låsemøtrik 2. Udvendig flange 78 3. Slibende afskæringsskive / diamantskive 4. Indvendig flange 78 5. Beskyttelsesskærm til slibende afskæringsskive / diamantskive

## Montering af trådkopbørste

### Ekstraudstyr

**⚠ FORSIGTIG:** Anvend ikke en børste, som er beskadiget, eller som ikke er i balance. Anvendelse af en beskadiget børste kan øge risikoen for tilskadekomst forårsaget af kontakt med knækkede børstetråde.

- **Fig.22:** 1. Trådkopbørste

Fjern alt tilbehør på spindlen. Sæt trådkopbørsten på spindlen, og tilspænd med nøglen.

## Montering af trådskeibørste

### Ekstraudstyr

**⚠FORSIGTIG:** Anvend ikke en trådskeibørste, som er beskadiget, eller som ikke er i balance.

Anvendelse af en beskadiget trådskeibørste kan øge risikoen for tilskadekomst forårsaget af kontakt med ødelagte tråde.

**⚠FORSIGTIG:** Anvend ALTID en beskyttelseskærm med trådskeibørster, og sørg for, at skivens diameter passer inden i beskyttelseskærmen. Skiven kan brække under brugen, og beskyttelseskærmen bidrager til at reducere risikoen for tilskadekomst.

► **Fig.23:** 1. Trådskeibørste

Fjern alt tilbehør på spindlen. Sæt trådskeibørsten på spindlen, og tilspænd med nøglen.

## Montering af beskyttelseskærm til støvopsamling

Beskyttelseskærm til støvopsamling til slibning (for model GA7080 / GA7081 / GA9080 / GA9081)

► **Fig.24:** 1. Låsemøtrik 2. Diamantskive af koptypen 3. Navformet diamantskive af koptypen 4. Indvendig flange 5. Beskyttelseskærm til støvopsamling 6. Kuglelejeboks

**⚠ADVARSEL:** Beskyttelseskærm til støvopsamling til slibning er kun beregnet til slibning af flad beton med en diamantskive af koptypen. Brug den ikke sammen med slibesten eller til andre formål end nævnt.

Beskyttelseskærm til støvopsamling ved afskæring (for model GA9080 / GA9081 / GA9082)

► **Fig.25**

**BEMÆRK:** Oplysninger om, hvordan støvopsamlingsdækslet monteres, finder du i manualen til støvopsamlingsdækslet.

## Tilslutning af en støvsuger

### Ekstraudstyr

**⚠ADVARSEL:** Støvsuger aldrig metalpartikler, der produceres ved anvendelse. Metalpartikler, der produceres ved en sådan anvendelse, er så varme, at de antænder støvet og filteret inde i støvsugeren.

For at undgå støvede omgivelser på grund af skæring i murværk skal du anvende en beskyttelseskærm til støvopsamling og en støvsuger.

Se i brugsanvisningen, der følger med beskyttelseskærmen til støvopsamling, vedrørende samling og brug af den.

► **Fig.26:** 1. Beskyttelseskærm til støvopsamling ved afskæring 2. Støvsugerens slange

## ANVENDELSE

**⚠ADVARSEL:** Det bør aldrig være nødvendigt at anvende magt på maskinen. Maskinens egen vægt sørger for det nødvendige tryk. Tvang og ekstremt tryk kan medføre farlige brud på skiven.

**⚠ADVARSEL:** Skift ALTID skiven ud, hvis maskinen tabes under slibning.

**⚠ADVARSEL:** Stød eller slå ALDRIG skiven mod arbejdsemnet.

**⚠ADVARSEL:** Undgå at støde og vride skiven, især ved arbejde på hjørner, skarpe kanter osv. Det kan medføre tab af kontrol og tilbageslag.

**⚠ADVARSEL:** Anvend ALDRIG maskinen med klinger, der er beregnet til skæring i træ, og andre savklinger. Hvis sådanne klinger anvendes på en sliber, bliver resultatet ofte tilbageslag og tab af kontrol, hvilket kan føre til tilskadekomst.

**⚠ADVARSEL:** Fortsat brug af en udslidt skive kan medføre, at skiven sprænger, og alvorlig personskade.

**⚠FORSIGTIG:** Tænd aldrig for maskinen, mens den er i kontakt med arbejdsemnet. Operatøren kan i så fald komme til skade.

**⚠FORSIGTIG:** Bær altid beskyttelsesbriller eller ansigtsskærm under brugen.

**⚠FORSIGTIG:** Efter brugen skal man altid slukke for maskinen og vente, indtil skiven er stoppet helt, inden man lægger maskinen fra sig.

**⚠FORSIGTIG:** Hold ALTID godt fast i maskinen med den ene hånd på maskinhuset og den anden på sidehåndtaget.

## Slibning og sandslibning

► **Fig.27**

Start maskinen og anbring derefter skiven eller disken på arbejdsemnet.

Generelt skal kanten på skiven eller disken holdes i en vinkel på ca. 15° mod arbejdsemnets overflade.

I det tidsrum, hvor en ny skive indkøres, må man ikke arbejde med sliberen i forlæns retning, da dette muligvis vil bevirke, at den skærer ind i arbejdsemnet. Når først et stykke tids anvendelse har rundet kanten af skiven af, kan den anvendes i både forlæns og baglæns retning.

## Anvendelse med slibende afskæringsskive / diamantskive

### Ekstraudstyr

**⚠ ADVARSEL:** Vær påpasselig med ikke at "klemme" skiven eller udsætte den for ekstremt tryk. Forsøg ikke at lave et snit af ekstrem dybde. Et for stort pres på skiven vil øge belastningen og risikoen for at skiven vrider eller binder i snittet samt risikoen for tilbageslag, brud på skiven og overophedning af motoren.

**⚠ ADVARSEL:** Begynd ikke skæringen i arbejdsområdet. Lad skiven komme op på fuld hastighed og gå omhyggeligt ind i snittet, idet maskinen bevæges fremad over arbejdsområdets overflade. Skiven kan binde, presses op eller give tilbageslag, hvis maskinen startes i arbejdsområdet.

**⚠ ADVARSEL:** Under skæring må man aldrig ændre skivens vinkel. Hvis man øver sidelæns tryk på afskæringsskiven (som ved slibning), vil det bevirke, at skiven revner eller brækker med alvorlig tilskadekomst til følge.

**⚠ ADVARSEL:** En diamantskive skal anvendes vinkelret på det materiale, der skæres i.

For model GA7080 og GA9080 kan du dreje kontakthåndtaget.

**Eksempel på anvendelse:** anvendelse med slibende afskæringsskive med GA7080 / GA9080  
► Fig.28

**Eksempel på anvendelse:** anvendelse med slibende afskæringsskive med GA7081 / GA7082 / GA9081 / GA9082  
► Fig.29

**Eksempel på anvendelse:** anvendelse med diamantskive med GA7080 / GA9080  
► Fig.30

**Eksempel på anvendelse:** anvendelse med diamantskive med GA7081 / GA7082 / GA9081 / GA9082  
► Fig.31

## Anvendelse med trådkopbørste

### Ekstraudstyr

**⚠ FORSIGTIG:** Kontroller børstens funktion ved at køre maskinen uden belastning, og sørg for at der ikke befinder sig nogen personer foran eller i forlængelse af børsten.

**BEMÆRKNING:** Undgå, at udøve et for stort tryk, som medfører overbøjning af tråde, når trådkopbørsten anvendes. Det kan muligvis medføre for tidligt brud.

**Eksempel på anvendelse:** anvendelse med trådkopbørste  
► Fig.32

## Anvendelse med trådskevebørste

### Ekstraudstyr

**⚠ FORSIGTIG:** Kontroller trådskevebørstens funktion ved at køre maskinen uden belastning, og sørg for, at der ikke befinder sig nogen personer foran eller i forlængelse af børsten.

**BEMÆRKNING:** Undgå, når trådskevebørsten anvendes, at udøve et for stort tryk, som medfører overbøjning af tråde. Det kan muligvis medføre for tidligt brud.

**Eksempel på anvendelse:** anvendelse med trådskevebørste  
► Fig.33

## VEDLIGEHOLDELSE

**⚠ FORSIGTIG:** Kontrollér altid, at der er slukket for maskinen, og at netstikket er trukket ud, før der udføres eftersyn eller vedligeholdelse.

**BEMÆRKNING:** Anvend aldrig benzin, rensebenzin, fortynder, alkohol og lignende. Det kan medføre misfarvning, deformation eller revner.

For at opretholde produktets SIKKERHED og PÅLIDELIGHED må reparation, vedligeholdelse eller justering kun udføres af et autoriseret Makita servicecenter eller fabrikksservicecenter med anvendelse af Makita reservedele.

**BEMÆRK:** Løsn ikke skruen på dækslet. Ellers kan dækslet åbnes ved et uheld.

► Fig.34: 1. Skruen

## Rengøring af ventilationsåbninger

Maskinen og dens ventilationsåbninger skal altid holdes rene. Rengør maskinens ventilationsåbninger med jævne mellemrum eller når ventilationsåbningerne begynder at blive tilstoppede.

► Fig.35: 1. Udstødningsåbning 2. Indsugningsåbning

# EKSTRAUDSTYR

**⚠️FORSIGTIG:** Det følgende tilbehør og ekstraudstyr er anbefalet til brug med Deres Makita maskine, der er beskrevet i denne brugsanvisning. Anvendelse af andet tilbehør eller ekstraudstyr kan udgøre en risiko for personskade. Anvend kun tilbehør og ekstraudstyr til det beskrevne formål.

Hvis De behøver hjælp ved valg af tilbehør eller ønsker yderligere informationer, bedes De kontakte Deres lokale Makita servicecenter.

► Fig.36

-	180 mm	230 mm
1	Sidehåndtag/bøjlehåndtag	
2	Beskyttelsesskærm til forsænket centerslibeskive/bladdisk/flex-skive/trådslibebørste	
3	Indvendig flange/superflange *2	
4	Forsænket centerslibeskive/bladdisk	
5	Låsemøtrik / Ezynut *1*2	
6	Beskyttelsesskærm til slibende afskæringsskive/diamantskive *3	
7	Indvendig flange 78 (kun Australien og New Zealand) *4	
8	Slibende afskæringsskive/diamantskive	
9	Udvendig flange 78 (kun Australien og New Zealand) *4	
10	Bagskive	
11	Flex-skive	
12	Gummipude	
13	Slibedisk	
14	Sandslibelåsemøtrik	
15	Trådslibebørste	
16	Trådkopbørste	
17	-	Sidehåndtag til beskyttelsesskærm til støvopsamling
18	-	Beskyttelsesskærm til støvopsamling ved afskæring *4
19	-	Superflange *2
20	-	Diamantskive
21	Beskyttelsesskærm til støvopsamling til diamantkopskive	
22	Diamantkopskive	
-	Låsemøtriknøgle	
-	Støvdækselanordning	

**BEMÆRK:** \*1 Kun for maskiner med M14-spindelgevind.

**BEMÆRK:** \*2 Brug ikke Superflangen og Ezynut sammen.

**BEMÆRK:** \*3 I nogle lande i Europa kan den almindelige beskyttelsesskærm anvendes i stedet for den specielle beskyttelsesskærm, som dækker begge sider af skiven, når man anvender en diamantskive. Følg bestemmelserne i det pågældende land.

**BEMÆRK:** \*4 Brug indvendig flange 78 og udvendig flange 78 sammen. (Kun for Australien og New Zealand)

**BEMÆRK:** Nogle ting på denne liste kan være inkluderet i værktøjspakken som standardtilbehør. Det kan være forskellige fra land til land.

## SPECIFIKĀCIJAS

Modelis:	GA7080	GA7081	GA7082	GA9080	GA9081	GA9082
Slīpriņas diametrs	180 mm			230 mm		
Maks. slīpriņas biezums	7,2 mm			6,5 mm		
Vārpstas vītne	M14 vai M16, vai 5/8"					
Nominālais ātrums (n)	8 500 min <sup>-1</sup>			6 600 min <sup>-1</sup>		
Kopējais garums	509 mm	461 mm		509 mm	461 mm	
Tīrsvars	6,3– 6,8 kg	6,1– 6,6 kg	6,0– 6,5 kg	6,5– 8,6 kg	6,3– 8,4 kg	6,2– 8,3 kg
Drošības klase	□/II					

- Nepārtrauktās izpētes un izstrādes programmas dēļ šeit uzrādītās specifikācijas var tikt mainītas bez brīdinājuma.
- Atkarībā no valsts specifikācijas var atšķirties.
- Svārs var atšķirties atkarībā no papildierīces(-ēm). Tabulā ir attēlota vieglākā un smagākā kombinācija atbilstoši EPTA procedūrai 01/2014.

### Paredzētā lietošana

Šis darbarīks paredzēts metāla un akmeņu slīpēšanai, smalkai slīpēšanai un griešanai bez ūdens izmantošanas.

### Barošana

Darbarīks jāpievieno tikai tādām barošanas avotam, kura spriegums atbilst uz darbarīka tehnisko datu plāksnītes norādītajam, un darbarīku var izmantot tikai ar vienfāzes maiņstrāvas barošanu. Darbarīks aprīkots ar divkāro izolāciju, tādēļ to var izmantot arī, pievienojot kontaktligzdai bez iezemējuma vada.

### Darbarīks paredzēts barošanai no zemsprieguma elektrības tīkliem ar spriegumu no 220 V līdz 250 V

#### Tikai modelim GA7082/GA9082

Pārslēdzot elektroierīces funkcijas, rodas sprieguma svārstības. Šīs ierīces darbināšana nelabvēlīgos elektropadeves apstākļos var pasliktināt citu iekārtu darbību. Ja elektrotīkla pilnā pretestība nepārsniedz 0,20 omus, var uzskatīt, ka negatīvas ietekmes nebūs. Elektrotīkla kontaktligzdai, kurai ir pievienota šī ierīce, jābūt aizsargātai ar drošinātāju vai jaudas slēdzi ar izslēgšanās aizkavi.

### Trokšņa līmenis

Tipiskais A svērtais trokšņa līmenis noteikts saskaņā ar EN60745-2-3:

Modelis	Skaņas spiediena līmenis (L <sub>PA</sub> ): (dB(A))	Skaņas jaudas līmenis (L <sub>WA</sub> ): (dB(A))	Nenoteiktība (K): (dB(A))
GA7080	91	102	3
GA7081	91	102	3
GA7082	91	102	3
GA9080	92	103	3
GA9081	92	103	3
GA9082	92	103	3

**PIEZĪME:** Paziņotā trokšņa emisijas vērtība noteikta atbilstoši standarta pārbaudes metodei, un to var izmantot, lai salīdzinātu vienu darbarīku ar citu.

**PIEZĪME:** Paziņoto trokšņa emisijas vērtību arī var izmantot iedarbības sākotnējā novērtējumā.

**▲BRĪDINĀJUMS:** Lietojiet ausu aizsargus.

**▲BRĪDINĀJUMS:** Trokšņa emisija patiesos darba apstākļos var atšķirties no paziņotās vērtības atkarībā no darbarīka izmantošanas veida un jo īpaši atkarībā no apstrādājamā materiāla veida.

**▲BRĪDINĀJUMS:** Lai aizsargātu lietotāju, nosakiet drošības pasākumus, kas pamatoti ar iedarbību reālos darba apstākļos (ņemot vērā visus ekspluatācijas cikla posmus, piemēram, laiku, kamēr darbarīks ir izslēgts un kad darbojas tukšgaitā, kā arī palaides laiku).

## Vibrācija

Vibrācijas kopējā vērtība (trīsasu vektora summa) noteikta atbilstoši EN60745-2-3:

**Darba režīms: virsmas slīpēšana ar parastu sānu rokturi**

Modelis	Vibrācija ( $a_{hv, AG}$ ): ( $m/s^2$ )	Nenoteiktība (K): ( $m/s^2$ )
GA7080	5,6	1,5
GA7081	6,8	1,5
GA7082	6,8	1,5
GA9080	5,2	1,5
GA9081	6,3	1,5
GA9082	6,3	1,5

**Darba režīms: virsmas slīpēšana ar antivibrācijas sānu rokturi**

Modelis	Vibrācija ( $a_{hv, AG}$ ): ( $m/s^2$ )	Nenoteiktība (K): ( $m/s^2$ )
GA7080	5,9	1,5
GA7081	7,3	1,5
GA7082	7,3	1,5
GA9080	5,3	1,5
GA9081	5,4	1,5
GA9082	5,4	1,5

**Darba režīms: slīpēšana ar disku ar parastu sānu rokturi**

Modelis	Vibrācija ( $a_{hv, AG}$ ): ( $m/s^2$ )	Nenoteiktība (K): ( $m/s^2$ )
GA7080	3,6	1,5
GA7081	3,2	1,5
GA7082	3,2	1,5
GA9080	2,5 $m/s^2$ vai mazāk	1,5
GA9081	2,7	1,5
GA9082	2,7	1,5

**Darba režīms: slīpēšana ar disku ar antivibrācijas sānu rokturi**

Modelis	Vibrācija ( $a_{hv, AG}$ ): ( $m/s^2$ )	Nenoteiktība (K): ( $m/s^2$ )
GA7080	3,9	1,5
GA7081	3,1	1,5
GA7082	3,1	1,5
GA9080	2,5 $m/s^2$ vai mazāk	1,5
GA9081	3,1	1,5
GA9082	3,1	1,5

**PIEZĪME:** Paziņotā kopējā vibrācijas vērtība noteikta atbilstoši standarta pārbaudes metodei, un to var izmantot, lai salīdzinātu vienu darbarīku ar citu.

**PIEZĪME:** Paziņoto kopējo vibrācijas vērtību arī var izmantot iedarbības sākotnējā novērtējumā.

**▲BRĪDINĀJUMS:** Vibrācijas emisija patiesos darba apstākļos var atšķirties no paziņotās vērtības atkarībā no darbarīka izmantošanas veida un jo īpaši atkarībā no apstrādājamā materiāla veida.

**▲BRĪDINĀJUMS:** Lai aizsargātu lietotāju, nosakiet drošības pasākumus, kas pamatoti ar iedarbību reālos darba apstākļos (ņemot vērā visus ekspluatācijas cikla posmus, piemēram, laiku, kamēr darbarīks ir izslēgts un kad darbojas tukšgaitā, kā arī palaišanas laiku).

**▲BRĪDINĀJUMS:** Paziņoto vibrācijas emisijas vērtību izmanto galvenajām mehanizētā darbarīka darbībām. Taču, ja darbarīku izmanto citām darbībām, vibrācijas emisijas vērtība var būt atšķirīga.

## Atbilstības deklarācijas

### Tikai Eiropas valstīm

Atbilstības deklarācijas šajā lietošanas rokasgrāmatā ir iekļautas kā A pielikums.

## DROŠĪBAS BRĪDINĀJUMI

### Vispārīgi elektrisko darbarīku drošības brīdinājumi

**▲BRĪDINĀJUMS** Izlasiet visus drošības brīdinājumus, norādījumus un tehniskos datus un izpētiet ilustrācijas, kas iekļautas šā elektriskā darbarīka komplektā. Neievērojot visus tālāk minētos noteikumus, iespējams elektriskās strāvas trieciena, aizdegšanās un/vai smagu traumu risks.

### Glabāriet visus brīdinājumus un norādījumus, lai varētu tajos ieskatīties turpmāk.

Termins „elektrisks darbarīks” brīdinājumos attiecas uz tādu elektrisko darbarīku, ko darbina ar elektrību (ar vadu), vai tādu, ko darbina ar akumulatoru (bez vada).

### Drošības brīdinājumi slīpmašīnas lietošanai

Drošības brīdinājumi, kas vienādi attiecas uz slīpēšanas, smalkās slīpēšanas, tīrīšanas ar stieplu suku vai abrazīvas griešanas darbībām:

1. Šo mehānizēto darbarīku paredzēts izmantot slīpēšanai, smalkai slīpēšanai, tīrīšanai ar stieplu suku vai griešanai. Izlasiet visus drošības brīdinājumus, instrukcijas, apskatiet ilustrācijas un tehniskos datus mehānizētā darbarīka komplektā. Ja netiek ievēroti visi tālāk minētie noteikumi, var tikt izraisīta elektrotrauma, notikt aizdegšanās un/vai rasties smagas traumas.
2. Ar šo mehānizēto darbarīku nav ieteicams veikt tādas darbības kā pulēšana. Tādu darbību veikšana, kam šis mehānizētais darbarīks nav paredzēts, var būt bīstama un radīt traumas.
3. Lietojiet tikai darbarīka ražotāja īpaši izgatavotos un ieteiktos piederumus. Kaut arī piederumu ir iespējams piestiprināt pie mehānizētā darbarīka, tā lietošana nav droša.
4. Piederuma nominālajam ātrumam jābūt vismaz identiskam ar maksimālo ātrumu, kas atzīmēts uz mehānizētā darbarīka. Piederumi, kas griežas ātrāk par nominālo ātrumu, var salūzt un tikt izsviesti.
5. Piederuma ārējam diametram un biežumam jābūt mehānizētā darbarīka jaudas robežās. Nepareiza izmēra piederumus nav iespējams pietiekami uzmanīt vai vadīt.
6. Piederumu stiprinājuma vītnei jāatbilst slīpmašīnas vārpstas vītnei. Piederumu, kurus piestiprina aiz atlokiem, ass atverei jāatbilst atloka uzstādīšanas diametram. Piederumi, kas neatbilst mehānizētā darbarīka stiprinājumiem, kļūst nestabili, pārmērīgi vibrēs un var izraisīt vadības zaudēšanu.

7. Neizmantojiet bojātu piederumu. Pirms katras lietošanas pārbaudiet, vai piederumos, piemēram, abrazīvajās ripās nav plaisu, plīsumu, atbalsta plāksne nav saplaisājusi, saplēsta vai pārmērīgi nolietota, un stieplu sukā nav vaļņņu vai salūzušu stieplu. Ja mehānizētais darbarīks nokrīt, pārbaudiet, vai nav radušies bojājumi, vai uzstādiet nebojātu piederumu. Pēc piederuma pārbaudes un uzstādīšanas atkāpieties pats un lieciet visiem klātesošajiem atkāpties no piederuma rotācijas plaknes, un vienu minūti darbiniet mehānizēto darbarīku bez slodzes ar maksimālo ātrumu. Bojāti piederumi šādas pārbaudes laikā parasti salūst.
8. Izmantojiet individuālos aizsarglīdzekļus. Atkarībā no veicamā darba valkājiet sejas aizsargu, aizsargbrilles vai brilles. Ja nepieciešams, valkājiet putekļu masku, ausu aizsargus, cimdus un darba priekšautu, kas aiztur mazas abrazīvas vai materiāla daļiņas. Acu aizsardzības aprīkojumam jāspēj aizturēt lidojošus grūžus, kas rodas dažādu darbu veikšanas laikā. Putekļu maskai vai respiratoram jāaiztur darba laikā radušās daļiņas. Ilgstoši pakļaujot sevi ļoti intensīvam troksnim, var rasties dzirdes zudums.
9. Gādāriet, lai apkārtējie atrastos drošā attālumā no darba vietas. Ikvienam, kas atrodas darba vietā, jāizmanto individuālie aizsarglīdzekļi. Apstrādājamā materiāla vai bojāta piederuma daļiņas var tikt izsviestas un traumēt cilvēkus darba vietas tuvumā.
10. Mehānizēto darbarīku turiet tikai aiz izolētajām satveršanas virsmām, ja veicat darbus, kuru laikā griešanas piederums varētu saskarties ar aplēptu elektroinstalāciju vai pašas ierīces barošanas kabeli. Griešanas piederumam saskaroties ar kabeli zem sprieguma, mehānizētā darbarīka metāla daļas var vadīt spriegumu un radīt operatoram elektrotraumu.
11. Kabeli novietojiet tā, lai tas nepieskartos rotējošajam piederumam. Ja zaudēsit vadību, kabelis var tikt pārgriezts vai iekļētijs, bet jūsu roka var tikt ierauta rotējošajā piederumā.
12. Nekādā gadījumā nenolieciet mehānizēto darbarīku, pirms tas nav pilnībā apstājies. Rotējošais piederums var aizķert virsmu un izraut mehānizēto darbarīku jums no rokām.
13. Nedarbiniet mehānizēto darbarīku, to pārnēsājot. Ja apgērbs nejauši pieskaras rotējošajam piederumam, tas var tikt satverts, iespējot piederumu miesā.
14. Regulāri tīriet mehānizētā darbarīka ventilācijas atveres. Motora ventilators ievilk putekļus korpusā un pārmērīga sīku metāla daļiņu uzkrāšanās var izraisīt elektrositēsmas bojājumus.
15. Mehānizēto darbarīku nedrīkst darbināt ugunsdrošību materiālu tuvumā. Dzirksteles var aizdedzināt šos materiālus.
16. Nelietojiet tādus piederumus, kam vajadzīgi dzesēšanas šķidrums. Lietojot ūdeni vai citus dzesēšanas šķidrums, var gūt nāvējošu elektrotraumu vai elektriskās strāvas trieciena.



## Atsitiens un ar to saistīti brīdinājumi

Atsitiens ir pēkšņa reakcija uz rotējošās ripas iespiešanu vai aizķeršanos, balsta paliktņi, suku vai kādu citu piederumu. Iespriešana vai aizķeršanās izraisa pēkšņu rotējošā piederuma apstāšanos, kas savukārt saskares brīdī izraisa nevadāmu mehānizētā darbarīka grūdienu pretējā virzienā.

Ja abrazīvā slīpriņa, piemēram, aizķeras vai iesprūst apstrādājamā materiālā, slīpriņas mala, kas nokļūst iesprūšanas vietā, var iespieties materiāla virsmā, liekot slīpriņai izvīrties vai atlēkt. Slīpriņa saskares brīdī var izlēkt operatora virzienā vai prom no viņa, atkarībā no slīpriņas kustības virziena. Šādos gadījumos abrazīvās slīpriņas var arī salūzt.

Atsitiens rodas darbarīka nepareizas lietošanas un/vai nepareizas darbības vai apstākļu rezultātā, un no tā var izvairīties, veicot piemērotus drošības pasākumus, kā norādīts tālāk.

1. **Saglabājiet ciešu darbarīka tvērienu un novietojiet ķermeni un rokas tā, lai pretotos atsitienu spēkam. Lai maksimāli kontrolētu atsitienu (iedarbināšanas laikā) vai griezes momentu, vienmēr lietojiet palīgrocīti, ja tāds ir.** Operators var savaldīt griezes momenta reakciju vai atsitienu spēku, ja veic atbilstošus piesardzības pasākumus.
2. **Nekad nenovietojiet roku rotējošā piederuma tuvumā.** Piederums var radīt atsitienu, trāpot rokai.
3. **Neviena jūsu ķermeņa daļa nedrīkst atrasties ceļā, kur atsitienu gadījumā pārvietosies mehānizētais darbarīks.** Atsitiens iekēršanās gadījumā grūds darbarīku no iekēršanās vietas slīpriņas kustībai pretējā virzienā.
4. **Īpaši uzmanieties, apstrādājot stūrus, asas malas u.c. Nepieļaujiet piederuma atlēkšanu un aizķeršanos.** Stūri, asas malas vai atlēkšana parasti izraisa rotējošā piederuma aizķeršanos un var radīt kontroles zaudēšanu vai atsitienu.
5. **Nepievienojiet ķēdes zāģa kokgriezumu asmeni vai zobaino zāģa asmeni.** Šādi asmeņi izraisa biežus atsitienu un vadības zaudēšanu.

## Drošības brīdinājumi tieši slīpēšanas un abrazīvas griešanas darbībām:

1. **Izmantojiet tikai savam mehānizētajam darbarīkam ieteicamos ripu veidus un īpašos aizsargus, kas paredzēti izvēlētajai ripai.** Ripas, kam mehānizētais darbarīks nav paredzēts, nevar pienācīgi aizsargāt, tāpēc tās nav drošas.
2. **Ripas ar ieliektu centru slīpēšanas virsmai jāatrodas zemāk par aizsargatloka malu.** Nepareizi piestiprināta ripa, kas izvīrās no aizsargatloka malas plaknes, nav pietiekami aizsargājama.
3. **Aizsargam jābūt stingri piestiprinātam pie mehānizētā darbarīka un novietotam maksimālā drošībai, lai operatora virzienā ir atsegtā mazākā ripas daļa.** Aizsargs palīdz aizsargāt operatoru no salūzušas ripas daļām un nejaūšas saskares ar slīpriņu un dzirkstelēm, kas var aizdedzināt apģērbu.
4. **Slīpriņas jāizmanto tikai tām ieteicamajiem darbiem. Piemēram: neslīpējiet ar griešanas ripas malu.** Abrazīvas griešanas ripas paredzētas perifērai slīpēšanai, tāpēc, ja uz šīm ripām iedarbojas sānu spēks, tās var salūzt.

5. **Vienmēr izmantojiet nebojātus, izvēlētajai ripai atbilstoša izmēra un formas ripas atlokus.** Atbilstoši slīpriņas atloki balsta slīpriņu, tādējādi samazinot tās salūšanas iespēju. Noglejās ripas atloki var atšķirties no slīpēšanai paredzēto ripu atlokiem.
6. **Neizmantojiet nodilušas lielāku mehānizēto darbarīku ripas.** Lielākiem mehānizētajiem darbarīkiem paredzētās ripas nav piemērotas mazāka darbarīka lielākajam ātrumam, tās var sabrukt.

## Papildu drošības brīdinājumi tieši abrazīvas griešanas darbībām:

1. **Neļaujiet griezējripi iesprūst, neizmantojiet pārmērīgu spiedienu. Negrieziet pārāk dziļi.** Ripas pārloģošana palielina slodzi, ripas sašķiešanas vai iekēršanās griezumā, atsitienu vai slīpriņas salūšanas iespējamību.
2. **Nenostājieties vienā līnijā ar rotējošo ripu un aiz tās.** Kad darba laikā ripas pārvietojas virzienā prom no jūsu ķermeņa, iespējams atsitiens var grūt rotējošo ripu un mehānizēto darbarīku tieši jūsu virzienā.
3. **Kad darba vietā ripas pārvietojas virzienā prom no operatora ķermeņa, iespējams atsitiens rotējošo ripu un mehānizēto darbarīku var grūt tieši operatora virzienā. Nekādā gadījumā nemēģiniet izņemt griezējripi no griezuma, kad ripa vēl griežas, lai netiktu izraisīts atsitiens.** Pārbaudiet un veiciet attiecīgus pasākumus, lai novērstu ripas iekēršanās cēloņus.
4. **Neatsāciet griešanu, darbarīkam atrodoties apstrādājamā materiālā. Ļaujiet ripai sasniegt pilnu ātrumu un tad uzmanīgi atkal ievietojiet to griezumā.** Slīpriņa var iekerties, izvīrties augšup vai atlēkt, ja mehānizētais darbarīks tiek atkal iedarbināts, atrodoties apstrādājamajā virsmā.
5. **Atbalstiet paneļus un visus lielos apstrādājamos materiālus, lai samazinātu slīpriņas iesprūšanas un atsitienu bīstamību.** Lielī apstrādājamie materiāli bieži vien ieliecas sava svara dēļ. Balsti jānovieto abās slīpriņas pusēs zem apstrādājamās virsmas, griezuma līnijas tuvumā un tuvu apstrādājamās virsmas malai.
6. **Esiet īpaši uzmanīgs, veicot „nišas griezumus” jau esošajās sienās vai citās aizsegtās vietās.** Caururbjošā slīpriņa var pārgriezt gāzes vai ūdens caurules, elektrības vadus vai priekšmetus, kas var izraisīt atsitienu.

## Drošības brīdinājumi tieši smalkajai slīpēšanai:

1. **Neizmantojiet pārāk lielu slīpēšanas ripas papīru. Izvēloties smilšpapīru smalkajai apstrādei, ievērojiet ražotāja ieteikumus.** Par slīpēšanas pamatni lielāks smilšpapīrs rada plīsuma briesmas, jo ripa var iekerties, plīst vai izraisīt atsitienu.

## Drošības brīdinājumi apstrādei ar stieplu suku:

1. **Ņemiet vērā, ka stieplu sari tiek izviesti no sukas pat parastās darbības laikā. Nepārslogojiet stieples, pieliekot sukai pārmērīgu spēku.** Stieplu sari var ātri caursist vieglus audumus un/vai ādu.
2. **Ja apstrādei ar stieplu suku ieteikts izmantot aizsargu, nepieļaujiet stieplu ripas vai sukas saskari ar aizsargu.** Darba slodzes un centrālās spēku iedarbībā stieplu ripai vai sukai var palielināties diametrs.



## Papildu drošības brīdinājumi:

1. Lietojot slīpripas ar ieliektu jeb iedzīlīnātu centru, noteikti izmantojiet tikai slīpripas ar stikla šķiedras armatūru.
2. Šai slīpmašīnai **NEKAD NEUZSTĀDIET** kausveida akmens ripu. Šī slīpmašīna nav paredzēta šāda veida ripām, un to izmantošana var radīt smagas traumas.
3. Uzmanieties, lai nesabojātu vārpstu, atloku (it īpaši uzstādīšanas virsmu) un kontruzgriezni. Šo detaļu bojājums var izraisīt ripas salūšanu.
4. Pārliecinieties, ka slīpripa nepieskaras apstrādājamajai virsmai pirms slēdža ieslēgšanas.
5. Pirms lietot darbarīku materiāla apstrādei, izslācīgi darbiniet to bez slodzes. Pievērsiet uzmanību tam, vai nav novērojama vibrācija vai svārstības, kas var norādīt uz nekvalitatīvu uzstādīšanu vai nepareizi līdzsvarotu slīpripu.
6. Lai slīpētu, izmantojiet tam paredzēto slīpripas virsmu.
7. Neatstājiet darbarīku ieslēgtu. Darbiniet darbarīku vienīgi tad, ja turat to rokās.
8. Neskarieties pie apstrādājamās detaļas tūlīt pēc darba izpildes; tā var būt ārkārtīgi karsta un apdedzināt ādu.
9. Nepieskarieties piederumiem tūlīt pēc darba izpildes; tie var būt ārkārtīgi karsti un apdedzināt ādu.
10. Ievērojiet ražotāja norādījumus slīpripu pareizai montāžai un lietošanai. Rīkojieties ar slīpripām uzmanīgi un uzglabājiet tās rūpīgi.
11. Neizmantojiet atsevišķus samazinošus ieliktņus vai pārejas, lai pielāgotu abrazīvās slīpripas ar liela diametra atveri.
12. Izmantojiet tikai šim darbarīkam paredzētus atlokus.
13. Darbarīkiem, kuri paredzēti lietošanai ar vītņotu slīpripu, pārliecinieties, ka slīpripas vītnes garums atbilst vārpstas garumam.
14. Pārbaudiet, vai apstrādājamā detaļa ir pienācīgi atbalstīta.
15. Nemiet vērā, ka slīpripa turpina griezties arī pēc darbarīka izslēgšanas.
16. Ja darba vietā ir ārkārtīgi augsta temperatūra un liels mitrums, vai tā ir stipri piesārņota ar vadītspējīgiem putekļiem, izmantojiet īssavienojuma pārtraucēju (30 mA), lai garantētu operatora drošību.
17. Neizmantojiet darbarīku tādu materiālu apstrādei, kas satur azbestu.
18. Lietojot griezējripas, vienmēr izmantojiet ripas aizsargu ar putekļu savācēju, ko prasa vietēja likumdošana.
19. Griešanas ripas nedrīkst pakļaut jebkādam sānu spiedienam.
20. Strādājot nelietojiet auduma darba cimdus. Šķiedras no auduma cimdiem var iekļūt darbarīkā, izraisot darbarīka bojājumus.
21. Raugieties, lai tuvumā nav elektrības vada, ūdens cauruļu, gāzes cauruļu u. c., kas varētu radīt bīstamu situāciju, ja tos darba laikā sabojā ar šo darbarīku.

## SAGLABĀJIET ŠOS NORĀDĪJUMUS.

**▲BRĪDINĀJUMS:** NEPIEĻAUJIET to, ka labu iemaņu vai izstrādājuma labas pārziņāšanas (darbarīku atkārtoti ekspluatējot) rezultātā vairs stingri neievērojāt šī izstrādājuma drošības noteikumus. NEPAREIZI LIETOJOT darbarīku vai neievērojot šajā instrukcijā rokasgrāmatā minētos drošības noteikumus, var tikt gūtas smagas traumas.

## FUNKCIJU APRAKSTS

**▲UZMANĪBU:** Pirms regulējat vai pārbaudāt darbarīka darbību, vienmēr pārliecinieties, ka darbarīks ir izslēgts un atvienots no barošanas.

## Vārpstas bloķētājs

Nospiediet vārpstas bloķētāju, lai novērstu vārpstas griešanas piederumu uzstādīšanas vai noņemšanas laikā.

► **Att.1:** 1. Vārpstas bloķētājs

**IEVĒRĪBAI:** Nekad neieslēdziet vārpstas bloķētāju, kad griežas vārpsta. Tas var sabojāt darbarīku.

## Slēdža roktura uzstādīšanas pozīcijas

*Tikai modelim GA7080/GA9080*

**▲UZMANĪBU:** Pirms darbarīka izmantošanas vienmēr pārbaudiet, vai slēdža rokturis ir nobloķēts vēlamajā pozīcijā.

Slēdža rokturi var pagriezt par 90° pa kreisi vai pa labi, lai pielāgotu to jūsu darba vajadzībām. Vispirms atvienojiet darbarīku no elektrotīkla. Nospiediet bloķēšanas pogu un grieziēt slēdža rokturi līdz galam uz kreiso vai labo pusi. Slēdža rokturis paliks nobloķēts attiecīgajā pozīcijā.

► **Att.2:** 1. Motora korpusu 2. Bloķēšanas poga 3. Rokturis

## Slēdža darbība

**▲UZMANĪBU:** Pirms darbarīka pieslēgšanas vienmēr pārbaudiet, vai slēdža mēlīte darbojas pareizi un atlaista atgriežas stāvoklī „OFF” (Izslēgts).

**▲UZMANĪBU:** Ja rodas pārtraukums energoapgādē vai tiek nejausi izslēgta elektropadeve, piemēram, atvienojot elektrības kabeli, noteikti izslēdziet darbarīku. Citādi, kad tiks atjaunota energoapgāde, darbarīks var pēkšņi ieslēgties, radot negadījumu vai traumu.

Atkarībā no iegādes valsts slēdzis darbojas trīs dažādos veidos.

► **Att.3:** 1. Slēdža mēlīte 2. Bloķēšanas svira

## Darbarīkam ar ieslēgta stāvokļa bloķēšanas slēdzi

*Dažādām valstīm atšķiras*

**⚠UZMANĪBU:** Slēdzi var fiksēt stāvoklī "ON" (ieslēgts), lai atvieglotu operatora darbu, strādājot ilgstoši. Esiet uzmanīgs, fiksējot darbarīka slēdzi stāvoklī „ON” (ieslēgts); stingri turiet darbarīku.

Lai ieslēgtu darbarīku, pavelciet slēdža mēlīti (B virzienā). Lai apturētu darbarīku, atlaidiet slēdža mēlīti. Lai darbarīks darbotos nepārtraukti, pavelciet slēdža mēlīti (B virzienā) un tad nospiediet bloķēšanas sviru (A virzienā).  
Lai apturētu darbarīku, kad slēdzis ir bloķēts, pievelciet slēdža mēlīti līdz galam (B virzienā), tad atlaidiet to.

## Darbarīkam ar izslēgta stāvokļa bloķēšanas slēdzi

*Dažādās valstīs atšķiras (ieskaitot Austrāliju un Jaunzēlandi)*

Lai nepieļautu slēdža mēlītes nejaušu pavilkšanu, darbarīks ir aprīkots ar bloķēšanas sviru. Lai iedarbinātu darbarīku, nospiediet bloķēšanas sviru (A virzienā) un pavelciet slēdža mēlīti (B virzienā). Lai apturētu darbarīku, atlaidiet slēdža mēlīti.

**IEVĒRĪBAI:** Nespiediet slēdža mēlīti ar spēku, kamēr nav iespiesta iekšā atbloķēšanas svira. Tā var sabojāt slēdzi.

## Darbarīkam ar slēdža bloķēšanu gan ieslēgtā, gan izslēgtā stāvoklī

*Dažādām valstīm atšķiras*

**⚠UZMANĪBU:** Slēdzi var fiksēt stāvoklī "ON" (ieslēgts), lai atvieglotu operatora darbu, strādājot ilgstoši. Esiet uzmanīgs, fiksējot darbarīka slēdzi stāvoklī „ON” (ieslēgts); stingri turiet darbarīku.

Lai nepieļautu slēdža mēlītes nejaušu pavilkšanu, darbarīks ir aprīkots ar bloķēšanas sviru. Lai iedarbinātu darbarīku, nospiediet bloķēšanas sviru (A virzienā) un pavelciet slēdža mēlīti (B virzienā). Lai apturētu darbarīku, atlaidiet slēdža mēlīti. Lai darbarīks darbotos nepārtraukti, nospiediet bloķēšanas sviru (A virzienā), pavelciet slēdža mēlīti (B virzienā) un pavelciet bloķēšanas sviru (C virzienā).  
Lai apturētu darbarīku, kad slēdzis ir bloķēts, pievelciet slēdža mēlīti līdz galam (B virzienā), tad atlaidiet to.

**IEVĒRĪBAI:** Nespiediet slēdža mēlīti ar spēku, kamēr nav iespiesta iekšā atbloķēšanas svira. Tā var sabojāt slēdzi.

## Gaismas indikators

*Tikai modelim GA7080/GA7081/GA9080/GA9081*

► **Att.4:** 1. Gaismas indikators

Zaļās krāsas gaismas indikators iedegas, kad darbarīks tiek pievienots barošanas avotam. Ja indikators neiedegas, var būt bojāts barošanas kabelis vai vadības ierīce.  
Ja indikatora lampiņa deg, taču darbarīks nesāk darboties, pat ja tas ir ieslēgts, iespējams, ir nolietojušās oglešukas vai var būt bojāts regulators, motors vai slēdzis.

## Aizsardzība pret nejaušu ieslēgšanos

*Tikai modelim GA7080/GA7081/GA9080/GA9081*

Darbarīks neieslēdzas, piespiežot slēdzi pat tad, ja darbarīks pievienots barošanai. Šajā brīdī indikatora lampiņa mirgo sarkanā krāsā, norādot, ka darbojas drošības mehānisms pret nejaušu darbības atsākšanu.  
Lai atceltu nejaušas ieslēgšanas aizsardzības režīmu, atgrieziet slēdzi pozīcijā „OFF” (Izslēgts).

**PIEZĪME:** Ja aktivizēts nejaušas ieslēgšanas aizsardzības režīms, pirms darbarīka atkārtotas iedarbināšanas pagaidiet ilgāk par sekundi.

## Pakāpeniskas jeb laidenās ieslēgšanas funkcija

*Tikai modelim GA7080/GA7081/GA9080/GA9081*

Pakāpeniskas ieslēgšanas funkcija mazina iedarbināšanas reakciju.

## MONTĀŽA

**⚠UZMANĪBU:** Vienmēr pārlicinieties, ka darbarīks ir izslēgts un atvienots no barošanas, pirms veicat jebkādas darbības ar darbarīku.

## Sānu roktura uzstādīšana (rokturis)

**⚠UZMANĪBU:** Pirms darbarīka izmantošanas vienmēr pārlicinieties, ka sānu rokturis ir uzstādīts droši.

**⚠UZMANĪBU:** Sānu rokturi var uzstādīt kādā no 3 atverēm. Uzstādiet sānu rokturi kādā no atverēm atbilstoši veicamajai darbībai.

Stingri pieskrūvējiet sānu rokturi pie darbarīka, kā parādīts attēlā.

► **Att.5**

## Cilpveida roktura uzstādīšana vai noņemšana

### Papildu piederumi

**▲UZMANĪBU:** Pirms lietošanas vienmēr pārbaudiet, vai cilpveida roktura bultskrūves ir cieši pievilktas.

**▲UZMANĪBU:** Satveriet attēlā norādīto cilpveida roktura satveršanas zonu. Darba laikā nepieskarieties slīpmašīnas metāla daļām. Ja griešanas uzgalis nejauši pārgriež vadu, kurā plūst strāva, un jūs tajā brīdī esat pieskārušies metāla daļai, ir iespējams elektrotrieciena risks.

Dažu darbu veikšanai cilpveida rokturis var būt ērtāks risinājums par oriģinālo sānu rokturi. Lai uzstādītu cilpveida rokturi, uzlieciet to uz darbarīka, kā parādīts, un pievelciet abas bultskrūves, lai rokturi nostiprinātu. Lai noņemtu cilpveida rokturi, iepriekš aprakstīto uzstādīšanas procedūru izpildiet pretējā secībā.

- **Att.6:** 1. Cilpveida rokturis 2. Bultskrūve  
3. Satveršanas zona

## Slīpripas aizsarga uzstādīšana vai noņemšana (slīpripa ar ieliektu centru, plāksņu diska, lokanā ripa, stieplju sukas ripa/abrazīva griezējripa, dimanta ripa)

**▲BRĪDINĀJUMS:** Izmantojot slīpripas ar ieliektu centru, plāksņu diska, lokanās ripas vai stieplju sukas ripas, slīpripas aizsargs jāuzstāda uz darbarīka tā, lai aizsarga slēgtā daļa vienmēr būtu vērsta pret operatoru.

**▲BRĪDINĀJUMS:** Izmantojot abrazīvo griezējripu vai dimanta ripu, lietojiet tikai īpašu griezējripiem paredzētu ripas aizsargu.

(Dažās Eiropas valstīs, izmantojot dimanta ripu, var lietot parasto aizsargu. Ievērojiet savas valsts noteikumus.)

## Darbarīkam ar fiksācijas skrūves tipa slīpripas aizsargu

Uzstādiet slīpripas aizsargu tā, lai uz tā malas esošie izciļņi sakristu ar gultņa ieliktna robiem. Tad slīpripas aizsargu pagrieziet tādā leņķī, lai darba laikā tas aizsargātu operatoru. Pārliecinieties, ka skrūve ir cieši pievilkta.

Lai noņemtu slīpripas aizsargu, izpildiet iepriekš minētās darbības pretējā secībā.

- **Att.7:** 1. Ripas aizsargs 2. Gultņa ieliktnis 3. Skrūve

## Darbarīkam ar saspiedēja sviras tipa slīpripas aizsargu

### Papildu piederumi

**▲BRĪDINĀJUMS:** Slīpripas aizsargs jāuzstāda uz darbarīka tā, lai aizsarga slēgtā daļa vienmēr būtu vērsta operatora virzienā.

Atskrūvējiet vaļīgāk uzgriezni un tad velciet sviru bultiņas virzienā.

- **Att.8:** 1. Uzgrieznis 2. Svira

Uzstādiet slīpripas aizsargu tā, lai uz tā malas esošie izciļņi sakristu ar gultņa ieliktna padziļinājumiem. Tad slīpripas aizsargu pagrieziet tādā leņķī, lai darba laikā tas aizsargātu operatoru.

- **Att.9:** 1. Ripas aizsargs 2. Gultņa ieliktnis

- **Att.10:** 1. Ripas aizsargs

Stingri pievelciet uzgriezni, izmantojot uzgriežņu atslēgu, tad aizveriet sviru bultiņas virzienā, lai nostiprinātu slīpripas aizsargu. Ja svira ir pārāk cieši pievilkta vai ir pārāk vaļīga, lai nostiprinātu slīpripas aizsargu, atveriet sviru un tad noskrūvējiet vai pieskrūvējiet uzgriezni ar uzgriežņu atslēgu, lai noregulētu slīpripas aizsarga malas pievilksanu.

- **Att.11:** 1. Uzgrieznis 2. Svira

Lai noņemtu slīpripas aizsargu, izpildiet iepriekš minētās darbības pretējā secībā.

## Slīpripas ar ieliektu centru vai plāksņu diska uzstādīšana un noņemšana

### Papildu piederumi

**▲BRĪDINĀJUMS:** Izmantojot slīpripas ar ieliektu centru vai plāksņu diskus, slīpripas aizsargs jāuzstāda uz darbarīka tā, lai aizsarga slēgtā daļa vienmēr būtu vērsta operatora virzienā.

**▲UZMANĪBU:** Pārliecinieties, ka iekšējā atloka stiprinājuma daļa precīzi iekļaujas slīpripas ar ieliektu centru vai plāksņu diska iekšējā diametrā. Ja iekšējo atloku uzstādīsiet nepareizajā pusē, var rasties bīstama vibrācija.

Iekšējo atloku uzstādiet uz vārpstas.

Iekšējā atloka ieliektu daļu uzstādiet uz taisnās daļas vārpstas apakšdaļā.

Novietojiet slīpripu uz iekšējā atloka un pieskrūvējiet kontruzgriezni ar izvīrījumu uz leju (proti, uz slīpripas pusi).

- **Att.12:** 1. Kontruzgrieznis 2. Slīpripa ar ieliektu centru 3. Iekšējais atloks 4. Stiprinājuma daļa

Lai pievilktu kontruzgriezni, stingri nospiediet vārpstas blokētāju, lai vārpsta negriežtos, tad ar kontruzgriežņa atslēgu stingri pievelciet to pulksteņrādītāju kustības virzienā.

- **Att.13:** 1. Kontruzgriežņa atslēga 2. Vārpstas blokētājs

Lai slīpripu noņemtu, iepriekš norādītās darbības izpildiet pretējā secībā.

## Lokanās ripas uzstādīšana un noņemšana

### Papildu piederumi

**▲BRĪDINĀJUMS:** Ja darbarīkam izmantojat lokano ripu, vienmēr lietojiet komplektā iekļauto aizsargu. Lietošanas laikā ripa var sadrupēt, bet aizsargs palīdz mazināt traumu bīstamību.

► **Att.14:** 1. Kontruzgrieznis 2. Lokanā ripa 3. Balsta starplika 4. Iekšējais atloks

Ievērojiet norādījumus attiecībā uz slīpripi ar ieliektu centru; tomēr uz ripas uzlieciet arī balsta starpliku. Montāžas secību skatiet šīs rokasgrāmatas piederumu lapās.

## Virsatloks

### Papildu piederumi

Virsatloks ir speciāls piederums modelim, kas NAV aprīkots ar bremzēšanas funkciju. Modeļiem ar burtu F standarta aprīkojumā ir virsatloks. Ja salīdzina ar parasto tipu, kontruzgriežņa noņemšanai jāpieliek tikai 1/3 spēka.

## „Ezynut” uzstādīšana vai noņemšana

### Papildu piederumi

Tikai darbarīkiem ar M14 vārpstas vītņi.

**▲UZMANĪBU:** Nelietojiet „Ezynut” kopā ar virsatloku. Šie atloki ir tik biezi, ka vārpsta nevar uzņemt visu vītņi.

Uzstādiet iekšējo atloku, abrazīvo ripu un „Ezynut” uzgriezni uz vārpstas tādā veidā, lai „Makita” logotips atrodas „Ezynut” uzgriežņa ārpusē.

► **Att.15:** 1. „Ezynut” 2. Abrazīvā ripa 3. Iekšējais atloks 4. Vārpsta

Cieši piespiediet vārpstas bloķētāju un pieskrūvējiet „Ezynut” uzgriezni, griežot abrazīvo ripu pulksteņrādītāju kustības virzienā, cik tālu iespējams.

► **Att.16:** 1. Vārpstas bloķētājs

Lai atskrūvētu „Ezynut” uzgriezni, grieziet „Ezynut” ārējo gredzenu pretēji pulksteņrādītāju kustības virzienam.

**PIEZĪME:** „Ezynut” var atskrūvēt ar roku, ja bulta atrodas pret ierobu. Pretējā gadījumā atskrūvēšanai nepieciešama kontruzgriežņa uzgriežņatslēga. Ievietojiet vienu uzgriežņatslēgas tapu atverē un grieziet „Ezynut” pretēji pulksteņrādītāju kustības virzienam.

► **Att.17:** 1. Bultiņa 2. Ierobs

► **Att.18**

## Abrazīvās ripas uzstādīšana un noņemšana

### Papildu piederumi

► **Att.19:** 1. Smilšpapīra jeb smalkās slīpēšanas kontruzgrieznis 2. Abrazīvā ripa 3. Gumijas starplika

1. Uz vārpstas uzstādiat gumijas paliktni.
2. Uzstādiat ripu uz gumijas starplikas un uzskrūvējiet smilšpapīra slīpēšanas kontruzgriezni uz vārpstas.
3. Turiet vārpstu ar vārpstas bloķētāju un ar kontruzgriežņa atslēgu cieši pievelciet smilšpapīra slīpēšanas kontruzgriezni pulksteņrādītāju kustības virzienā.

Lai noņemtu ripu, izpildiet iepriekš norādītās darbības pretējā secībā.

**PIEZĪME:** Izmantojiet šajā rokasgrāmatā norādītos slīpmašīnas piederumus. Tie jāiegādājas atsevišķi.

## Abrazīvās griezējriņas un dimanta ripas lietošana

### Papildu piederumi

**▲BRĪDINĀJUMS:** Izmantojot abrazīvo griezējriņu vai dimanta ripu, lietojiet tikai īpašu griezējriņām paredzētu ripas aizsargu.

(Dažās Eiropas valstīs, izmantojot dimanta ripu, var lietot parasto aizsargu. Ievērojiet savas valsts noteikumus.)

**▲BRĪDINĀJUMS:** NEKAD NELIETOJIET griezējriņu sānu slīpēšanai.

Iekšējo atloku uzstādiat uz vārpstas. Novietojiet slīpripi/disku uz iekšējā atloka un uzskrūvējiet kontruzgriezni uz vārpstas.

► **Att.20:** 1. Kontruzgrieznis 2. Abrazīvā griezējriņa/dimanta ripa 3. Iekšējais atloks 4. Ripas aizsargs abrazīvai griezējriņai/dimanta ripai

### Klientiem Austrālijā un Jaunzēlandē

► **Att.21:** 1. Kontruzgrieznis 2. Ārējais atloks 78 3. Abrazīvā griezējriņa/dimanta ripa 4. Iekšējais atloks 78 5. Ripas aizsargs abrazīvai griezējriņai/dimanta ripai

## Kausveida stieplu suku uzstādīšana

### Papildu piederumi

**▲UZMANĪBU:** Neizmantojiet bojātu un nelīdzsvarotu suku. Bojātas suku izmantošana var palielināt salauzto suku stieplu radītu traumu bīstamību.

► **Att.22:** 1. Kausveida stieplu suka

Noņemiet no vārpstas visus piederumus. Uzskrūvējiet kausveida stieplu suku uz vārpstas un pievelciet to ar uzgriežņatslēgu.

## Stieplu sukas ripas uzstādīšana

### Papildu piederumi

**▲UZMANĪBU:** Neizmantojiet bojātu un nelīdzsvarotu stieplu ripas suku. Bojātas stieplu ripas sukas izmantošana var palielināt salauztu stieplu radītu traumu bīstamību.

**▲UZMANĪBU:** Lietojot stieplu ripas suku, VIENMĒR izmantojiet aizsargu, sekojot, lai viss ripas diametrs iekļautos aizsargā. Lietošanas laikā ripa var sadrupēt, bet aizsargs palīdz mazināt traumu bīstamību.

► **Att.23:** 1. Stieplu ripas suka

Noņemiet no vārpstas visus piederumus. Uzskūrvējiet stieplu sukas ripu uz vārpstas un pievelciet ar uzgriežņatslēgu.

## Ripas aizsargs ar putekļu savācēju – uzstādīšana

Slīpēšanai paredzēts ripas aizsargs ar putekļu savācēju (modeļiem GA7080/GA7081/GA9080/GA9081)

► **Att.24:** 1. Kontruzgrieznis 2. Kausveida dimanta ripa 3. Kausveida dimanta ripa ar atloku 4. Iekšējais atloks 5. Ripas aizsargs ar putekļu savācēju 6. Gultna korpus

**▲BRĪDINĀJUMS:** Slīpripas aizsargu ar putekļu savācēju paredzēts izmantot tikai plakana betona virsmas pulēšanai ar kausveida dimanta ripu. Aizliegts izmantot ar asināšanas ripām vai mērķiem, kas nav norādīti aprīkojuma instrukcijās.

Griešanas ripas aizsargs ar putekļu savācēju (modeļiem GA9080/GA9081/GA9082)

► **Att.25**

**PIEZĪME:** Lai uzzinātu, kā uzstādīt putekļu savācēju pārsegu, skatiet putekļu savācēja pārsega pamācību.

## Putekļsūcēja pievienošana

### Papildu piederumi

**▲BRĪDINĀJUMS:** Aizliegts ar putekļu sūcēju vākt metāla skaidas, kas radušās darba laikā. Darba laikā radušās metāla skaidas ir tik karstas, ka tās var aizdedzināt putekļu sūcējā esošos putekļus un filtru.

Lai novērstu darba vietā putekļus, kas radušies mūra griešanas rezultātā, izmantojiet slīpripas aizsargu ar putekļu savācēju un putekļu sūcēju. Informāciju par to, kā uzlikt un izmantot slīpripas aizsargu ar putekļu savācēju, skatiet lietošanas instrukcijā, kas pievienota šai ierīcei.

► **Att.26:** 1. Griešanas ripas aizsargs ar putekļu savācēju 2. Putekļu sūcēja šļūtene

## EKSPLUATĀCIJA

**▲BRĪDINĀJUMS:** Strādājot ar darbarīku, nekad nepielieciet pārmērīgu spēku. Darbarīka svars rada pietiekamu spiedienu. Pārmērīgs spēks vai spiediens uz darbarīka var izraisīt ripas salūšanu, kas ir ļoti bīstami.

**▲BRĪDINĀJUMS:** VIENMĒR nomainiet ripu, ja slīpēšanas laikā darbarīks nokrīt.

**▲BRĪDINĀJUMS:** NEKAD netrieciet un nesitiet ripu pret apstrādājamo materiālu.

**▲BRĪDINĀJUMS:** Izvairieties no ripas lēkāšanas un iekēršanās, it īpaši stūru, asu malu utt. apstrādē. Tas var izraisīt vadības zaudēšanu un atsitienu.

**▲BRĪDINĀJUMS:** NEKĀDĀ GADĪJUMĀ neizmantojiet darbarīku ar koku zāģēšanas asmeņiem un citiem zāģu asmeņiem. Šādus asmeņus izmantojot slīpmašīnā, var rasties atsitiens, kura ietekmē var zaudēt vadību pār darbarīku un gūt traumas.

**▲BRĪDINĀJUMS:** Nolietojot slīpripas izmantošana var izraisīt ripas salūšanu un smagu traumu cilvēkam.

**▲UZMANĪBU:** Nekādā gadījumā neieslēdziet darbarīku, ja tas ir saskarē ar apstrādājamo materiālu, jo operators var gūt traumas.

**▲UZMANĪBU:** Darba laikā vienmēr lietojiet aizsargbrilles vai sejas aizsargu.

**▲UZMANĪBU:** Pēc darba vienmēr izslēdziet darbarīku un uzgaidiet, līdz ripa pilnīgi apstājas, pirms noliekat darbarīku.

**▲UZMANĪBU:** VIENMĒR stingri turiet darbarīku ar vienu roku uz korpusa un ar otru uz sānu roktura.

## Slīpēšana un līdzināšana ar smilšpapīru

► **Att.27**

Ieslēdziet darbarīku un tad nolaidiet slīpripu vai disku uz materiāla.

Slīpripas vai diska malu turiet apmēram 15 grādu leņķī pret apstrādājamo virsmu.

Jaunās slīpripas iestrādāšanas laikā nelietojiet darbarīku turpgaitas virzienā, citādi tas var iegriezties apstrādājamā materiālā. Kad slīpripas mala lietošanas gaitā ir noapaļojusies, slīpripu var izmantot darbam gan turpgaitas, gan atpakaļgaitas virzienā.

## Abrazīvās griezējriņas un dimanta riņas lietošana

### Papildu piederumi

**▲BRĪDINĀJUMS:** Neļaujiet slīpriņai iesprūst; neizmantojiet pārmērīgu spiedienu. Negrieziet pārāk dziļi. Riņas pārslogošana palielina slodzi un iespēju riņai sašķiebties vai aizķerties griezumā, kā arī atsitiena, riņas salūšanas un motora pārkarsēšanas iespējamību.

**▲BRĪDINĀJUMS:** Nesāciet griešanu, darbarīkam atrodoties apstrādājamajā virsmā. Ļaujiet riņai sasniegt pilnu ātrumu un uzmanīgi ievietojiet to griezumā, virzot darbarīku uz priekšu pāri apstrādājamajam materiāla virsmai. Riņa var aizķerties, iznākt no griezuma vai radīt atsitieni, ja mehānizētais darbarīks tiek iedarbināts, riņai atrodoties apstrādājamajā materiālā.

**▲BRĪDINĀJUMS:** Griešanas laikā nekad nemainiet slīpriņas leņķi. Pieliekot griezējriņai sāniski vērstu spēku (piemēram, slīpējot), riņa var splaisāt un salūzt, radot smagas traumas.

**▲BRĪDINĀJUMS:** Dimanta riņa jālieto perpendikulāri griežamajam materiālam.

Modelim GA7080 un GA9080 ir iespējams pagriezt slēdža rokturi.

Darbības piemērs: darbs ar abrazīvo griešanas riņu modelim GA7080/GA9080

► Att.28

Darbības piemērs: darbs ar abrazīvo griešanas riņu modelim GA7081/GA7082/GA9081/GA9082

► Att.29

Darbības piemērs: darbs ar dimanta riņu modelim GA7080/GA9080

► Att.30

Darbības piemērs: darbs ar dimanta riņu modelim GA7081/GA7082/GA9081/GA9082

► Att.31

## Lietošana kopā ar kausveida stieplu suku

### Papildu piederumi

**▲UZMANĪBU:** Pārbaudiet sukas darbību, darbinot darbarīku bez slodzes, un nodrošinot, lai neviens neatrastos sukas priekšā vai tās rotācijas plaknē.

**▲IEVĒRĪBAI:** Izvairieties no pārmērīga spēka piemērošanas, kas var salocīt stieples, lietojot kausveida stieplu suku. Tas var izraisīt priekšlaicīgu salūšanu.

Darbības piemērs: darbs ar kausveida stieplu suku

► Att.32

## Lietošana kopā ar stieplu riņas suku

### Papildu piederumi

**▲UZMANĪBU:** Pārbaudiet stieplu riņas sukas darbību, darbinot darbarīku bez slodzes un nodrošinot, lai neviens neatrastos stieplu riņas sukas priekšā vai tās rotācijas plaknē.

**▲IEVĒRĪBAI:** Izvairieties no pārmērīga spiediena, kas var salocīt stieples, lietojot stieplu riņas suku. Tas var izraisīt priekšlaicīgu salūšanu.

Darbības piemērs: darbs ar stieplu sukas riņu

► Att.33

## APKOPE

**▲UZMANĪBU:** Pirms veikt pārbaudi vai apkopi, vienmēr pārliecinieties, ka darbarīks ir izslēgts un atvienots no barošanas.

**▲IEVĒRĪBAI:** Nekad neizmantojiet gāzoliņu, benzīnu, atšķaidītāju, spirtu vai līdzīgus šķidrumus. Tas var radīt izbalēšanu, deformāciju vai plaisas.

Lai saglabātu izstrādājuma DROŠU un UZTICAMU darbību, remontdarbus, apkopi un regulēšanu uzticiet veikt tikai Makita pilnvarotam vai rūpnīcas apkopes centram, un vienmēr izmantojiet tikai Makita rezerves daļas.

**▲PIEZĪME:** Neatskrūvējiet pārsega skrūvi. Citādi pārsegs var nejauši atvērties.

► Att.34: 1. Skrūve

## Gaisa ventilācijas atveru tīrīšana

Gaisa ventilācijas atverēm jābūt tīrām. Regulāri tīriet darbarīka ventilācijas atveres, kā arī iekreiz, kad atveres nosprostojas.

► Att.35: 1. Izplūdes atvere 2. Ieplūdes atvere

# PAPILDU PIEDERUMI

**⚠ UZMANĪBU:** Šādi piederumi un papildierīces tiek ieteiktas lietošanai ar šajā rokasgrāmatā aprakstīto Makita darbarīku. Izmantojot citus piederumus vai papildierīces, var tikt radīta trauma gūšanas bīstamība. Piederumu vai papildierīci izmantojiet tikai paredzētajam mērķim.

Ja jums vajadzīga palīdzība vai precīzāka informācija par šiem piederumiem, vērsieties savā tuvākajā Makita apkopes centrā.

► **Att.36**

-	180 mm	230 mm
1	Sānu rokturis/cilpveida rokturis	
2	Slīpripas aizsargs slīpīpai ar ieliektu centru/plāksņu ripai/lokanai ripai/stieplu suku ripu	
3	Iekšējais atloks/virsatloks *2	
4	Slīpripa ar ieliektu centru/plāksņu ripa	
5	Kontruzgrieznis/Ezynut *1*2	
6	Slīpripas aizsargs abrazīvai griešanas ripai/dimanta ripai *3	
7	Iekšējais atloks 78 (tikai Austrālijā un Jaunzēlandē) *4	
8	Abrazīvā griešanas ripa/dimanta ripa	
9	Ārējais atloks 78 (tikai Austrālijā un Jaunzēlandē) *4	
10	Balsta starplika	
11	Lokanā ripa	
12	Gumijas starplika	
13	Abrazīvā ripa	
14	Smilšpapīra jeb smalkās slīpēšanas kontruzgrieznis	
15	Stieplu suku ripa	
16	Kausveida stieplu suka	
17	-	Sānu rokturis ripas aizsargam ar putekļu savācēju
18	-	Griešanas ripas aizsargs ar putekļu savācēju *4
19	-	Virsatloks *2
20	-	Dimanta ripa
21	Ripas aizsargs ar putekļu savācēju kausveida dimanta ripai	
22	Kausveida dimanta ripa	
-	Kontruzgriežņa atslēga	
-	Putekļu aizsargs	

**PIEZĪME:** \*1 Tikai darbarīkiem ar M14 vārpstas vītņi.

**PIEZĪME:** \*2 Neizmantojiet vienlaikus virsatloku un Ezynut.

**PIEZĪME:** \*3 Dažās Eiropas valstīs, lietojot dimanta ripu, abas ripas puses sedzošā, īpašā aizsarga vietā var izmantot parastu aizsargu. Ievērojiet savas valsts normatīvus.

**PIEZĪME:** \*4 Lietojiet vienlaikus gan iekšējo atloku 78, gan ārējo atloku 78. (Tikai klientiem Austrālijā un Jaunzēlandē)

**PIEZĪME:** Daži sarakstā norādītie izstrādājumi var būt iekļauti instrumenta komplektācijā kā standarta piederumi. Tie dažādās valstīs var būt atšķirīgi.



## SPECIFIKACIJOS

Modelis:	GA7080	GA7081	GA7082	GA9080	GA9081	GA9082
Disko skersmuo	180 mm		230 mm			
Didž. disko storis	7,2 mm		6,5 mm			
Veleno sriegis	M14, M16 arba 5/8"					
Vardinis greitis (n)	8 500 min <sup>-1</sup>			6 600 min <sup>-1</sup>		
Bendrasis ilgis	509 mm	461 mm		509 mm	461 mm	
Grynas svoris	6,3– 6,8 kg	6,1– 6,6 kg	6,0– 6,5 kg	6,5– 8,6 kg	6,3– 8,4 kg	6,2– 8,3 kg
Saugos klasė	□/II					

- Atliekame tęsinius tyrimus ir nuolatos tobuliname savo gaminius, todėl čia pateikiamos specifikacijos gali būti keičiamos be įspėjimo.
- Skirtingose šalyse specifikacijos gali skirtis.
- Svoris gali priklausyti nuo priedo (-ų). Lengviausias ir sunkiausias deriniai pagal EPTA 2014 m. sausio mėn. procedūrą yra nurodyti lentelėje.

## Numatytoji naudojimo paskirtis

Įrankis yra skirtas šlifuoti, šlifuoti šlifavimo popieriumi, metalui ir akmeniui pjauti nenaudojant vandens.

## Elektros energijos tiekimas

Įrenginiui turi būti tiekiami tokios įtampos elektros energija, kaip nurodyta duomenų lentelėje; įrenginys veikia tik su vienfazė kintamąja srove. Jie yra dvigubai izoliuoti, todėl gali būti naudojami prijungus prie elektros lizdo be įžeminimo laido.

## Viešosioms žemos įtampos skirstymo sistemoms (nuo 220 iki 250 V)

Taikoma tik modeliui GA7082 / GA9082

Perjungiant elektrinio įrenginio operacijas įtampa gali svyruoti. Šio įrenginio naudojimas nepalankiomis elektros tinklo sąlygomis gali daryti įtaką kitos įrangos darbui. Kai pilnutinė įėjimo varža yra lygi ar mažesnė negu 0,20 omų, galima manyti, kad nebus jokio neigiamo poveikio. Šiam įrankiui naudojamas elektros tinklo lizdas turi būti apsaugotas saugikliu arba apsauginiu grandinės nutraukikliu, pasižyminčiu lėto suveikimo charakteristika.

## Triukšmas

Įprastas triukšmo A lygis, nustatytas pagal EN60745-2-3:

Modelis	Garso slėgio lygis (L <sub>PA</sub> ): (dB (A))	Garso galios lygis (L <sub>WA</sub> ): (dB (A))	Paklaida (K): (dB (A))
GA7080	91	102	3
GA7081	91	102	3
GA7082	91	102	3
GA9080	92	103	3
GA9081	92	103	3
GA9082	92	103	3

**PASTABA:** Paskelbta (-os) triukšmo reikšmė (-ės) nustatyta (-os) pagal standartinį testavimo metodą ir jį galima naudoti vienam įrankiui palyginti su kitu.

**PASTABA:** Paskelbta (-os) triukšmo reikšmė (-ės) taip pat gali būti naudojama (-os) norint preliminariai įvertinti triukšmo poveikį.

**▲JSPĖJIMAS:** Dėvėkite ausų apsaugą.

**▲JSPĖJIMAS:** Faktiškai naudojant elektrinį įrankį, keliamo triukšmo dydis gali skirtis nuo paskelbtos (-ų) reikšmės (-ių), priklausomai nuo būdų, kuriais yra naudojamas šis įrankis, ir ypač nuo to, kokio tipo ruošinys apdirbamas.

**▲JSPĖJIMAS:** Siekdami apsaugoti operatorių, būtina įvertinkite saugos priemones, remdamiesi vibracijos poveikio įvertinimu esant faktinėms naudojimo sąlygoms (atsižvelgdami į visas darbo ciklo dalis, pavyzdžiui, ne tik kiek laiko įrankis veikia, bet ir kiek kartų jis yra išjungiamas bei kai jis veikia be apkrovų).



## Vibracija

Vibracijos bendroji vertė (trიაšio vektoriaus suma) nustatyta pagal EN60745-2-3 standartą:

### Darbo režimas: paviršiaus šlifavimas naudojant normalią šoninę rankeną

Modelis	Vibracijos emisija ( $a_{hv, AG}$ ): (m/s <sup>2</sup> )	Paklaida (K): (m/s <sup>2</sup> )
GA7080	5,6	1,5
GA7081	6,8	1,5
GA7082	6,8	1,5
GA9080	5,2	1,5
GA9081	6,3	1,5
GA9082	6,3	1,5

### Darbo režimas: paviršiaus šlifavimas naudojant antivibracinę šoninę rankeną

Modelis	Vibracijos emisija ( $a_{hv, AG}$ ): (m/s <sup>2</sup> )	Paklaida (K): (m/s <sup>2</sup> )
GA7080	5,9	1,5
GA7081	7,3	1,5
GA7082	7,3	1,5
GA9080	5,3	1,5
GA9081	5,4	1,5
GA9082	5,4	1,5

### Darbo režimas: diskinis šlifavimas naudojant normalią šoninę rankeną

Modelis	Vibracijos emisija ( $a_{hv, AG}$ ): (m/s <sup>2</sup> )	Paklaida (K): (m/s <sup>2</sup> )
GA7080	3,6	1,5
GA7081	3,2	1,5
GA7082	3,2	1,5
GA9080	2,5 m/s <sup>2</sup> arba mažiau	1,5
GA9081	2,7	1,5
GA9082	2,7	1,5

### Darbo režimas: diskinis šlifavimas naudojant antivibracinę šoninę rankeną

Modelis	Vibracijos emisija ( $a_{hv, AG}$ ): (m/s <sup>2</sup> )	Paklaida (K): (m/s <sup>2</sup> )
GA7080	3,9	1,5
GA7081	3,1	1,5
GA7082	3,1	1,5
GA9080	2,5 m/s <sup>2</sup> arba mažiau	1,5
GA9081	3,1	1,5
GA9082	3,1	1,5

**PASTABA:** Paskelbta (-os) vibracijos bendroji (-osios) reikšmė (-ės) nustatyta (-os) pagal standartinį testavimo metodą ir ji gali būti naudojama vienam įrankiui palyginti su kitu.

**PASTABA:** Paskelbta (-os) vibracijos bendroji (-osios) reikšmė (-ės) taip pat gali būti naudojama (-os) norint preliminariai įvertinti vibracijos poveikį.

**⚠️ISPĖJIMAS:** Faktiškai naudojant elektrinį įrankį, keliamos vibracijos dydis gali skirtis nuo paskelbtos (-ų) reikšmės (-ių), priklausomai nuo būdų, kuriais yra naudojamas šis įrankis, ir ypač nuo to, kokio tipo ruošinys apdirbamas.

**⚠️ISPĖJIMAS:** Siekdami apsaugoti operatorių, būtina įvertinkite saugos priemones, remdamiesi vibracijos poveikio įvertinimu esant faktinėms naudojimo sąlygoms (atsižvelgdami į visas darbo ciklo dalis, pavyzdžiui, ne tik kiek laiko įrankis veikia, bet ir kiek kartų jis yra išjungiamas bei kai jis veikia be apkrovų).

**⚠️ISPĖJIMAS:** Paskelbtasis keliamos vibracijos dydis galioja naudojant šį elektrinį įrankį pagrindiniams, numatytiems darbams atlikti. Tačiau, jeigu įrankis naudojamas kitiems darbams atlikti, keliamos vibracijos dydis gali būti kitoks.

## Atitikties deklaracijos

### Tik Europos šalis

Atitikties deklaracijos įtrauktos į šios naudojimo instrukcijos A priedą.

## SAUGOS ĮSPĖJIMAI

### Bendrieji įspėjimai dirbant elektriniais įrankiais

**⚠️ ĮSPĖJIMAS** Perskaitykite visus saugos įspėjimus, nurodymus, peržiūrėkite paveikslėlius ir technines sąlygas, pateiktas su šiuo elektriniu įrankiu. Nesilaikant toliau pateiktų nurodymų, galima patirti elektros šoką, sunkų sužalojimą ir (arba) sukelti gaisrą.

### Išsaugokite visus įspėjimus ir instrukcijas, kad galėtumėte jas peržiūrėti ateityje.

Terminas „elektrinis įrankis“ pateiktuose įspėjimuose reiškia į maitinimo tinklą jungiamą (laidinį) elektrinį įrankį arba akumulatoriaus maitinamą (belaidį) elektrinį įrankį.

### Saugos įspėjimai dėl šlifautuvo naudojimo

**Bendri saugos įspėjimai šlifuojant, šlifuojant šlifavimo popieriumi, šveičiant vieliniu šepetėiu ir atliekant šlifuojamojo pjaustymo darbus:**

1. Šis elektrinis įrankis skirtas naudoti kaip šlifavimo staklės, šlifautovas šlifavimo popieriumi, vielinis šepetys ar pjaustymo įrankis. Perskaitykite visus saugumo įspėjimus, instrukcijas, iliustracijas bei technines sąlygas, pateikiamas kartu su šiuo elektriniu įrankiu. Dėl toliau pateiktų instrukcijų nesilaikymo gali kilti elektros smūgio, gaisro ir (arba) rimto sužeidimo pavojus.
2. Su šiuo elektriniu įrankiu nerekomenduojama atlikti tokių darbų kaip poliravimas. Darbai, kuriems šis elektrinis įrankis nėra skirtas, gali kelti pavojų bei sąlygoti susižeidimą.
3. Nenaudokite priedų, kurie nėra specialiai sukurti ir rekomenduojami įrankio gamintojo. Nors priedą ir galima pritaisyti prie jūsų elektrinio įrankio, tai vistiek neužtikrina saugios eksploatacijos.
4. Nominalusis priedo greitis turi būti bent jau lygus maksimaliam greičiui, nurodytam ant elektrinio įrankio. Priedai, kurie veikia greičiau už vardinį greitį, gali sulūžti ir atsiskirti.
5. Priedo išorinis skersmuo ir storis turi atitikti elektrinio įrankio pajėgumo kategoriją. Nurodytame dydžio priedų negalima tinkamai apsaugoti skydais ar valdyti.
6. Srieginių priedų jungiamoji dalis privalo atitikti šlifauklio veleno sriegį. Priedų, montuojamų naudojant junges, angos velenui dydis privalo tiksliai atitikti jungės fiksavimo skersmenį. Naudojami priedai, kurių dydis neatitinka elektrinio įrankio dalių, prie kurių jie montuojami, dydžio, išbalansuos įrankį, sukels pernelyg didelę vibraciją bei įrankio valdymo praradimą.

7. Nenaudokite sugadinto priedo. Kiekvieną kartą prieš naudodami įrankį patikrinkite jo priedus, pvz., ar šlifavimo diskai nenudažyti ir nesutrūkę, ar nėra atraminųjų padėklų įtrūkių, plyšių ar jie ne per daug nusidėvėję, ar nėra iškritusių vielinio šepetio vielų ir ar jos nenulūžusios. Jei elektrinis įrankis ar jo priedas buvo numestas, patikrinkite, ar nėra pažeidimų, arba naudokite nepažeistą priedą. Patikrinę ir įtaisę priedą, atsitokite bei nuveskite stebėtinuosius toliau nuo besisukančio priedo plokštumos ir paleiskite elektrinį įrankį veikti maksimaliu greičiu be apkrovos 1 minutę. Paprastai per šį tikrinimo laiką pažeisti priedai turėtų suskilti.
8. Naudokite asmeninės apsaugos priemones. Priklausomai nuo pritaikymo, naudokite apsauginį veido skydelį, tamsius arba apsauginius akinius. Kaip pridera, dėvėkite apsaugos nuo dulkių kaukę, klausos apsaugą, pirštines ir dirbtuvės prijuostę, sulaukančią smulkius abrazyvus ar ruošinio skeveldras. Akių apsauga turi sulaukyti skriejančias nuolaužas, susidariusias įvairių operacijų metu. Apsaugos nuo dulkių kaukė arba respiratorius turi filtruoti darbo metu susidariusias dalelytes. Dėl intensyvaus ilgalaikio triukšmo galima prarasti klausą.
9. Laikykite stebėtinuosius toliau nuo darbo vietos. Kiekvienas, užeinantis į darbo vietą, turi dėvėti asmeninę apsaugos aprangą. Ruošinio ar sulūžusio priedo skeveldros gali nusikrioti toliau ir sužeisti asmenis už tuo metu atliekamo darbo zonos.
10. Atlikdami darbus, kurių metu pjovimo antgalis galėtų užkliudyti nematomą laidą arba savo paties laidą, laikykite elektrinius įrankius tik už izoliuotų paviršių. Pjovimo antgaliai prisilietus prie laido, kuriuo teka elektros srovė, neizoliuotos metalinės elektrinio įrankio dalys gali sukelti elektros smūgį ir nutrenkti operatorių.
11. Saugiai atitraukite laidą nuo greitai besisukančio priedo. Jei prarastumėte pusiausvyrą, galite perkirsti ar užkliudyti laidą, o jūsų plaštaką arba ranką gali įtraukti greitai besisukantis priedas.
12. Niekada nepadėkite šio elektrinio įrankio, kol jo priedas nėra visiškai sustojęs. Greitai besisukantis priedas gali užkabinti paviršių ir jūs galite nebesuvaldyti elektrinio įrankio.
13. Nešant įrankį prie savo šono, jis turi būti išjungtas. Greitai besisukantis priedas gali atsitiktinai užkabinti jūsų drabužius ir jus sužaloti.
14. Reguliariai išvalykite elektrinio įrankio oro ventiliacijos angas. Variklio ventilatorius traukia dulkes į korpuso vidų ir dėl per didelių metalo dulkių sankaupų gali kilti su elektros įranga susijęs pavojus.
15. Nenaudokite elektrinio įrankio būdami netoliese degių medžiagų. Nuo kibirkščių degiosios medžiagos gali užsidegti.
16. Nenaudokite priedų, kuriems reikalingi skysti aušinimo skysčiai. Naudojant vandenį ar kitą skystį gali ištikti mirtina elektros trauma ar elektros smūgis.

## Atatranka ir su ja susiję įspėjimai

Atatranka yra staigi reakcija į suspaustą arba sugriebtą besisukančią diską, atraminį padėklą, šepetį ar kitą priedą. Suspaudimas arba sugnybimas sukelia staigų besisukančio priedo sulaikymą, dėl to nevaldomas elektrinis įrankis sulaikymo taške verčiamas judėti priešinga priedo sukimuisi kryptimi.

Pavyzdžiui, jeigu šlifavimo diską suspaudžia ruošinys, disko kraštas, kuris patenka į suspaudimo tašką, gali įsikirsti į medžiagos paviršių ir dėl to diskas atšoks. Diskas gali atšokti į operatorių arba nuo jo; tai priklauso nuo disko sukimosi krypties suspaudimo metu. Šlifavimo diskas tokiomis sąlygomis gali ir sulūžti.

Atatranka yra piktnaudžiavimo elektriniu įrankiu ir (arba) netinkamų darbo procedūrų ar sąlygų rezultatas, jos galima išvengti vadovaujantis toliau nurodytomis atsargumo priemonėmis.

1. **Tvirtai laikykite elektrinį įrankį ir stovėkite taip, kad jūsų kūnas bei ranka netrukdytų priešintis atatrankos jėgoms. Visada naudokite papildomą rankeną, jei tokia yra, kad įjungimo metu galėtumėte maksimaliai valdyti atatranką ar sukamojo momento reakcijas.** Operatorius gali valdyti sukamojo momento reakciją bei atatrankos jėgą, jei imasi atitinkamų atsargumo priemonių.
2. **Niekada nelaikykite rankos šalia besisukančio priedo.** Priedas gali atsitrekti į jūsų ranką.
3. **Nebūkite toje zonoje, kurios link judės elektrinis įrankis, jei įvyks atatranka.** Atatranka pastums įrankį priešinga disko sukimuisi kryptimi suspaudimo taške.
4. **Ypač saugokitės apdirbdami kampus, aštirus kraštus ir pan. Stenkitės priedo nesurenkti ir neužkliudyti.** Besisukantis priedas gali užsikabinti ar atsitrekti į kampus, aštirus kraštus ir sukelti atatranką, o dėl to galima nebesuvaldyti įrankio.
5. **Nenaudokite pjūklo grandinės su medį raižiančiais ašmenimis ar dantytos pjūklo grandinės.** Tokie diskai dažnai sukelia atatranką ir įrankio suvaldymo problemų.

## Specialūs saugos įspėjimai atliekant šlifavimo ir abrazyvinio pjaustymo darbus:

1. **Naudokite tik tuos diskus, kurie rekomenduojami naudoti su elektriniu įrankiu, ir specialią tam diskui skirtą apsaugą.** Diskai, kurie netinka elektriniam įrankiui, negali būti tinkamai apsaugoti ir yra nesaugūs.
2. **Sumontuotų diskų su įspausu centru šlifavimo paviršius privalo būti žemiau apsauginio gaubto krašto plokštumos.** Netinkamai sumontuoto disko, kuris kyšo pro apsauginio gaubto krašto plokštumą, nebus galima tinkamai apsaugoti.
3. **Apsauga turi būti tinkamai pritvirtinta prie elektrinio įrankio, o siekiant apsaugoti kuo labiau, uždėta taip, kad uozažesnė disko dalis galėtų paveikti operatorių.** Apsauginis gaubtas padeda apsaugoti operatorių nuo atskilusių disko dalelių ir netyčinio prisilietimo prie disko bei žiežirbų, kurios gali uždegti drabužius.
4. **Diskai turi būti naudojami tik pagal rekomenduojamą paskirtį.** Pavyzdžiui, nešlifukite pjovimo disko šonu. Šlifuojantys pjovimo diskai yra skirti periferiniam šlifavimui, todėl diskus veikiančios šoninės jėgos juos gali suskaldyti.

5. **Visada naudokite tik nesugadintas diskų junges, kurios pasirinktam diskui yra tinkamo dydžio bei formos.** Tinkamos diskų jungės prilaiko diską, mažindamos disko trūkimo tikimybę. Pjovimo diskams skirtos jungės gali skirtis nuo šlifavimo diskų jungių.
6. **Nenaudokite nusidėvėjusių diskų nuo didesnių elektrinių įrankių.** Didesniems elektriniams įrankiams skirti diskai netinka greičiau besisukančiam mažesniai įrankiui, jie gali sutrūkinėti į tūkstančius dalių.

## Papildomi specialūs saugos įspėjimai atliekant abrazyvinio pjaustymo darbus:

1. **Saugokite, kad pjovimo diskas neįstrigtų, ir pernelyg nespaukite. Nemėginkite atlikti pernelyg gilių pjūvių.** Per stipriai spaudžiant, padidėja apkrova ir disko persikreipimo ar užstrigimo pjūvyje tikimybė bei atatrankos ar disko lūžimo galimybė.
2. **Nestovėkite vienoje eilėje su besisukančiu disku ir už jo.** Kai diskas veikiama metu juda nuo jūsų kūno, galima atatranka gali pastumti besisukančią diską ir elektrinį įrankį tiesiai į jus.
3. **Kai diskas užstrigo arba kai pjovimas dėl kitų priežasčių nutraukiamas, išjunkite elektrinį įrankį ir nejudinkite jo, kol diskas visiškai nenustos sukis.** Niekada nbandykite išimti pjovimo disko iš pjūvio, kai diskas sukasi, nes gali susidaryti atatranka. Ištrinkite ir imkitės tinkamų veiksmų, kad pašalintumėte disko užstrigimo priežastį.
4. **Nepradėkite iš naujo pjauti, kai diskas ruošinyje. Leiskite, kad diskas pasiektų visą greitį ir tik tada atsargiai įleiskite jį į pjūvį.** Diskas gali įstrigti, iššokti arba atšokti, jeigu elektrinis įrankis bus iš naujo paleistas diskui esant ruošinyje.
5. **Plokštės ar kitus per didelio dydžio ruošinius paremkite ir taip sumažinkite pavojų, kad diskas bus suspaustas ir atšoks.** Dideli ruošiniai linksta dėl savo pačių svorio. Ruošinį reikia paremti iš abiejų disko pusių, šalia pjovimo linijos ir prie ruošinio krašto.
6. **Ypač būkite atsargūs įpjaudami sienas arba kitas aklinas vietas.** Atsikišęs diskas gali prapjauti dujų ar vandens vamzdžius, elektros laidus arba objektus, kurie gali sukelti atatranką.

## Specialūs saugos įspėjimai atliekant šlifavimo darbus šlifavimo popieriumi:

1. **Nenaudokite itin didelio dydžio šlifavimo disko popieriaus.** Laikykites gamintojo rekomendacijų, kai renkatės šlifavimo popierių. Didesnis šlifavimo popierius, kuris išsikiša už šlifavimo padėklo ribų, gali sukelti įplėšimo pavojų, dėl to gali lūžti diskas arba įvykti atatranka.

## Specialūs saugos įspėjimai dirbant su vieliniu šepėčiu:

1. **Atkreipkite dėmesį, kad vieliniai šereliai krinta iš šepėčio netgi įprasto naudojimo metu. Nespaukite per daug šerelių, naudodami didelę jėgą šepėčiu.** Vieliniai šereliai gali lengvai pradurti ploną drabužių ir (arba) odą.
2. **Jeigu rekomenduojama naudoti vielinio šepėčio apsaugą, neleiskite, kad vielinis diskas ar šepetys būtų naudojami be apsaugos.** Vielinio disko ar šepėčio skersmuo dėl darbinio krūvio ir išcentrinio jėgų poveikio gali padidėti.

## Papildomi saugos įspėjimai:

1. Naudodami nuspauستus centrinius šlifavimo diskus, būtinai naudokite tik stiklo pluoštu sustiprintus diskus.
2. Su šiuo šlifuoekliu NIEKADA NENAUDOKITE taurelės formos akmeninio šlifavimo disko. Šis šlifuoeklis nėra skirtas naudoti su šio tipo diskais, todėl naudojant tokį gaminį galima sunkiai susižeisti.
3. Nepažeiskite veleno, jungės (ypač montavimo paviršiaus) ir fiksavimo galvutės. Dėl šių dalių pažeidimų gali lūžti diskas.
4. Prieš įjungdami jungiklį patikrinkite, ar diskas nesiliečia su ruošiniu.
5. Prieš naudodami įrankį su ruošiniu, leiskite jam kurį laiką veikti be apkrovos. Stebėkite, ar nėra vibracijos ar klībėjimo, rodančio, jog blogai surinkta ar kad blogai subalansuotas diskas.
6. Šlifavimui naudokite nurodyto paviršiaus diską.
7. Nepalikite veikiančio įrankio. Naudokite įrankį tik laikydami rankomis.
8. Nelieskite ruošinio iškart po naudojimo; jis gali būti itin karštas ir nudeginti odą.
9. Nelieskite priedų iš karto po naudojimo; jie gali būti itin karšti ir nudeginti odą.
10. Laikykitės gamintojo nurodymų apie teisingą diskų uždėjimą ir naudojimą. Su diskais elkitės ir juos laikykite rūpestingai.
11. Nenaudokite atskirų mažinimo įvorių arba adapterių, skirtų didelių skylių šlifuojamiesiems diskams uždėti.
12. Naudokite tik šiam įrankiui nurodytas junges.
13. Jei naudojate įrankius, kuriems skirti diskai su sriegiu, įsitikinkite, ar sriegis diske yra pakankamai ilgas, kad tiktų veleno ilgis.
14. Patikrinkite, ar ruošinys yra tinkamai palaikomas.
15. Atkreipkite dėmesį, kad išjungus įrankį diskas toliau sukasi.
16. Jei darbo vieta yra ypač karšta ir drėgna arba labai užteršta laidžiomis dulkėmis, naudokite užtrumpinimo pertraukiklį (30 mA), kad užtikrintumėte naudojimo saugumą.
17. Nenaudokite įrankio su bet kokiomis medžiagomis, kuriose yra asbesto.
18. Kai naudojate pjovimo diską, visuomet dirbkite su dulkes renkančia disko apsauga, kurios reikalauja vietinės taisyklės.
19. Pjovimo diskų negalima spausti iš šonų.
20. Nenaudokite medžiaginių pirštinių darbo metu. Medžiaginių pirštinių audinio pluoštų gali patekti į įrankį, todėl įrankis gali sugesti.
21. Įsitikinkite, kad nėra jokių elektros laidų, vandentiekio vamzdžių, dujų vamzdžių ir pan., kuriuos pažeidus įrankiu gali kilti pavojus.

## SAUGOKITE ŠIAS INSTRUKCIJAS.

**▲PSPĖJIMAS:** NELEISKITE, kad patogumas ir gaminio pažinimas (įgyjamas pakartotinai naudojant) susilpnintų griežtą saugos taisyklių, taikytinų šiam gaminiui, laikymąsi. Dėl NETINKAMO NAUDOJIMO arba saugos taisyklių, kurios pateiktos šioje instrukcijoje, nesilaikymo galima rimtai susižeisti.

## VEIKIMO APRAŠYMAS

**▲PERSPĖJIMAS:** Prieš pradėdami reguliuoti arba tikrinti įrankio veikimą, visuomet būtinai išjunkite įrankį ir atjunkite jį nuo maitinimo tinklo.

### Ašies fiksatorius

Paspauskite ašies fiksatorių, kad velenas nesisuktų, kai dedate ar nuimate priedus.

► **Pav.1:** 1. Ašies fiksatorius

**PASTABA:** Niekada nejunkite ašies fiksatoriaus, kai velenas juda. Įrankis galis sugesti.

### Pasukamos rankenos tvirtinimo vietos

Taikoma tik modeliui GA7080 / GA9080

**▲PERSPĖJIMAS:** Prieš pradėdami darbą, visada įsitikinkite, ar pasukama rankena užfiksuota į norimą padėtį.

Pasukamą rankeną galite pasukti 90° į kairę ar dešinę pagal savo poreikius. Pirmiausia atjunkite įrankį nuo elektros tinklo. Spauskite fiksavimo mygtuką ir iki galo pasukite pasukamą rankeną į kairę arba dešinę. Pasukama rankena bus užfiksuota į tą padėtį.

► **Pav.2:** 1. Variklio korpusas 2. Fiksavimo mygtukas 3. Rankena

### Jungiklio veikimas

**▲PERSPĖJIMAS:** Prieš jungdami įrenginį visada patikrinkite, ar svirtinis gaidukas gerai įsijungia, o atleistas grįžta į padėtį OFF (išjungta).

**▲PERSPĖJIMAS:** Dingus maitinimui arba atsitiktinai išjungus el. srovę, pvz., ištraukus maitinimo laidą, būtinai išjunkite įrankį. Priešingu atveju, maitinimui vėl atsiradus, įrankis gali netikėtai imti veikti ir sužaloti.

Priklausomai nuo šalies yra trys jungiklio veikimo modeliai.

► **Pav.3:** 1. Gaidukas 2. Fiksavimo svirtis

### Įrankiui su fiksuojamu jungikliu

Priklausomai nuo šalies

**▲PERSPĖJIMAS:** Kai įrankis naudojamas ilgą laiką tarpą, operatoriaus patogumui jungiklį galima užfiksuoti „ON“ (įjungta) padėtyje. Būkite atsargūs, užfiksuodami įrankį „ON“ (įjungta) padėtyje ir tvirtai laikykite įrankio rankeną.

Norėdami įjungti įrankį, tiesiog paspauskite gaiduką (B kryptimi). Atleiskite gaiduką, jeigu norite sustabdyti įrankį.

Norėdami dirbti be sustojimo, patraukite gaiduką (B kryptimi) ir pastumkite fiksavimo svirtį (A kryptimi). Norėdami sustabdyti įrankį užfiksuotoje padėtyje, iki galo patraukite gaiduką (B kryptimi), po to jį atleiskite.

## Įrankiui su fiksuotai išjungtu jungikliu

*Priklauso nuo valstybės (įskaitant Australiją ir Naująją Zelandiją)*

Fiksavimo svirtis yra skirta apsaugoti, kad gaidukas netyčia nebūtų patrauktas.

Norėdami įjungti įrankį, pastumkite fiksavimo svirtį (A kryptimi) ir po to patraukite gaiduką (B kryptimi). Atleiskite gaiduką, jeigu norite sustabdyti įrankį.

**PASTABA:** Negalima stipriai spausti gaiduko, nenuspaudus fiksavimo svirtelę. Taip galima sulaužyti jungiklį.

## Įrankiui su fiksuojamu įjungimu ar išjungimu

*Priklausomai nuo šalies*

**▲ PERSPĖJIMAS:** Kai įrankis naudojamas ilgą laiką tarpą, operatoriaus patogumui jungiklį galima užfiksuoti „ON“ (įjungta) padėtyje. Būkite atsargūs, užfiksuodami įrankį „ON“ (įjungta) padėtyje ir tvirtai laikykite įrankio rankeną.

Fiksavimo svirtis yra skirta apsaugoti, kad gaidukas netyčia nebūtų patrauktas.

Norėdami įjungti įrankį, pastumkite fiksavimo svirtį (A kryptimi) ir po to patraukite gaiduką (B kryptimi). Atleiskite gaiduką, jeigu norite sustabdyti įrankį.

Norėdami dirbti be sustojimo, pastumkite fiksavimo svirtį (A kryptimi), patraukite gaiduką (B kryptimi) ir po to patraukite fiksavimo svirtį (C kryptimi).

Norėdami sustabdyti įrankį užfiksuotoje padėtyje, iki galo patraukite gaiduką (B kryptimi), po to jį atleiskite.

**PASTABA:** Negalima stipriai spausti gaiduko, nenuspaudus fiksavimo svirtelę. Taip galima sulaužyti jungiklį.

## Indikacinė lemputė

*Taikoma tik modeliui GA7080 / GA7081 / GA9080 / GA9081*

► **Pav.4:** 1. Indikacinė lemputė

Įjungus įrankį, užsidega žalia įjungimo indikacinė lemputė.

Jei indikacinė lemputė neužsidega, gali būti nutrūkęs maitinimo laidas arba perdegusi indikacinė lemputė. Indikacinė lemputė užsidega, bet įrankis neįsijungia net ir paspaudus įjungimo mygtuką; gali būti susidėvėję angliniai šepetėliai, sugedęs valdiklis, variklis arba jungiklis.

## Netyčinio pakartotinio paleidimo patikrinimas

*Taikoma tik modeliui GA7080 / GA7081 / GA9080 / GA9081*

Įrankis neįsijungia, kai jungiklis užblokuotas, net jei jis prijungtas prie maitinimo tinklo.

Šiuo metu raudonai mirksi indikacinė lemputė, kuri rodo, kad veikia netyčinio pakartotinio paleidimo patvirtinimo prietaisas. Norėdami atšaukti apsaugos nuo netyčinio pakartotinio paleidimo funkciją, gražinkite jungiklį į išjungimo padėtį OFF (išjungta).

**PASTABA:** Prieš paleisdami įrankį iš naujo, kai veikia netyčinio pakartotinio paleidimo funkcija, palaukite ilgiau nei vieną sekundę.

## Tolygaus įjungimo funkcija

*Taikoma tik modeliui GA7080 / GA7081 / GA9080 / GA9081*

Tolygus įjungimas slopina įjungimo reakciją.

## SURINKIMAS

**▲ PERSPĖJIMAS:** Prieš ką nors darydami su įrankiu, visada patikrinkite, ar jis išjungtas, o laido kištukas ištrauktas iš elektros lizdo.

## Šoninės rankenos montavimas

**▲ PERSPĖJIMAS:** Prieš naudodami visuo- met įsitikinkite, ar šoninė rankena yra patikimai uždėta.

**▲ PERSPĖJIMAS:** Šoninę rankeną galite įsta- tyti į 3 skyles. Įstatykite šoninę rankeną į vieną iš skylių (priklausomai nuo atliekamo darbo).

Prisukite šoninę rankeną patikimai jos vietoje, kaip parodyta paveikslėlyje.

► **Pav.5**

## Kilpinės rankenos montavimas ar nuėmimas

*Pasirenkamas priedas*

**▲ PERSPĖJIMAS:** Prieš naudodami visada įsiti- kinkite, kad kilpinės rankenos varžtai gerai užveržti.

**▲ PERSPĖJIMAS:** Laikykite už kilpinės rankenos suėmimo vietos, parodytos paveikslėlyje. Be to, darbo metu laikykite ranką toliau nuo šilfuoekli metalinės dalies. Palietus metalinę dalį galima patirti elektros smūgį, jei pjovimo priedas netikėtai nupjautų laidą, kuriuo teka srovė.

Kai kuriais atvejais gali būti patogiau naudoti kilpinę rankeną nei originalią šoninę rankeną. Norėdami sumontuoti kilpinę rankeną, dėkite ją ant įrankio, kaip parodyta, ir užfiksuokite užverždami du varžtus. Jeigu norite išimti kilpinę rankeną, atlikite montavimo veiksmus atvirkščia eilės tvarka.

► **Pav.6:** 1. Kilpinė rankena 2. Varžto 3. Suėmimo vieta

## Apsauginio gaubto uždėjimas arba nuėmimas (diskui su įgaubtu centru, poliravimo diskui, lanksčiajam diskui, vieliniam disko formos šepetėliui / šlifuojamajam pjovimo diskui, deimantiniam diskui)

**▲JSPĖJIMAS:** Kai naudojate diską su įgaubtu centru, poliravimo diską, lankstųjį diską arba vielinį disko formos šepetėlį, apsauginis disko gaubtas turi būti uždėtas ant įrankio taip, kad uždaras apsauginio gaubto šonas visuomet būtų atsuktas į operatorių.

**▲JSPĖJIMAS:** Naudodami šlifuojamąjį pjovimo / deimantinį diską, būtinai naudokite tik specialų apsauginį gaubtą, skirtą naudoti su pjovimo diskais.

(Tam tikrose Europos šalyse naudojant deimantinį diską, galima naudoti įprastą apsauginį gaubtą. Vadovaukitės jūsų šalyje galiojančiomis taisyklėmis.)

## Įrankiui su fiksuojamo varžto tipo disko apsauga

Uždėkite disko apsaugą ant disko apsauginės juostos, išsikišimus sutapdinę su įrantomis ties guolių dėže. Tada pasukite disko apsaugą tokiu kampu, kad ji galėtų apsaugoti operatorių darbo metu. Būtinai patikimai priveržkite varžtą.

Jei norite išimti disko apsaugą, laikykitės montavimo procedūros atvirkščia tvarka.

► **Pav.7:** 1. Disko apsauga 2. Guolių dėžė 3. Varžtas

## Įrankiui su suveržimo svirties tipo disko apsauga

### Pasirenkamas priedas

**▲JSPĖJIMAS:** Disko saugiklį reikia uždėti ant įrankio taip, kad uždaras saugiklio šonas visuomet būtų nukreiptas vartotojo link.

Atlaisvinkite veržlę, tada traukite svirtelę rodyklės kryptimi.

► **Pav.8:** 1. Veržlė 2. Svirtis

Uždėkite disko saugiklį ant disko apsauginės juostos, išsikišimus sutapdinę su įrantomis ties guolių dėže. Tada pasukite disko saugiklį tokiu kampu, kad jis galėtų apsaugoti operatorių darbo metu.

► **Pav.9:** 1. Disko apsauga 2. Guolių dėžė

► **Pav.10:** 1. Disko apsauga

Atsuktuvu tvirtai priveržkite veržlę ir tuomet uždarykite svirtį rodyklės kryptimi, kad pritvirtintumėte disko saugiklį. Jeigu svirtis yra per daug arba per mažai užveržta, kad galėtų užtvirtinti disko saugiklį, atidarykite svirtį ir tada atsuktuvu atsukite arba priveržkite veržlę, kad pareguliuotumėte disko saugiklio juostos užveržimą.

► **Pav.11:** 1. Veržlė 2. Svirtis

Jei norite išimti disko saugiklį, atlikite montavimo procedūrą atvirkščia tvarka.

## Disko su įgaubtu centru arba poliravimo disko uždėjimas ir nuėmimas

### Pasirenkamas priedas

**▲JSPĖJIMAS:** Kai naudojate diską su įgaubtu centru arba poliravimo diską, apsauginis disko gaubtas turi būti uždėtas ant įrankio taip, kad uždaras apsauginio gaubto šonas visuomet būtų atsuktas į operatorių.

**▲PERSPĖJIMAS:** Įsitikinkite, ar vidinės jungės tvirtinimo dalis puikiai telpa į disko su įgaubtu centru / poliravimo disko vidinį skersmenį. Sumontavus vidinę jungę netinkamoje pusėje, gali kilti pavojinga vibracija.

Uždėkite vidinę jungę ant veleno.

Vidinės jungės įranyta dalis būtinai turi būti uždėta ant tiesios dalies ties veleno apačia.

Uždėkite ratuką / diską ant vidinės jungės ir užsukite fiksavimo veržlę taip, kad jos išsikišusi dalis būtų nukreipta žemyn (ratuko link).

► **Pav.12:** 1. Fiksavimo veržlė 2. Diskas su įgaubtu centru 3. Vidinė jungė 4. Tvirtinimo dalis

Jei norite priveržti fiksavimo galvutę, stipriai paspauskite ašies fiksatorių taip, kad velenas negalėtų sukstis, tada pasinaudokite fiksavimo galvutės raktu ir patikimai priveržkite pagal laikrodžio rodyklę.

► **Pav.13:** 1. Fiksavimo galvutės raktas 2. Ašies fiksatorius

Jei norite nuimti diską, laikykitės uždėjimo procedūros atvirkščia tvarka.

## Lanksčiojo disko uždėjimas ir nuėmimas

### Pasirenkamas priedas

**▲JSPĖJIMAS:** Visada naudokite pateiktą apsauginį gaubtą, kai ant įrankio uždėtas lankstusis diskas. Naudojimo metu diskas gali subyrėti, o apsauginis gaubtas sumažina galimybę susižeisti.

► **Pav.14:** 1. Fiksavimo veržlė 2. Lankstusis diskas 3. Atraminis pagrindas 4. Vidinė jungė

Vadovaukitės diskui su įgaubtu centru taikomais nurodymais, bet ant disko taip pat uždėkite atraminį pagrindą. Žr. uždėjimo eilės tvarką, aprašytą šio vadovo priedų puslapyje.

## „Super“ jungė

### Pasirenkamas priedas

„Super“ jungė – tai specialus priedas, skirtas modeliams, kuriuose NĖRA stabdymo funkcijos.

Modeliuose su raide F būna standartiškai sumontuota papildoma jungė. Fiksavimo veržlei atsukti reikia tik 1/3 jėgos, reikalingos įprastai veržlei atsukti.



## „Eznut“ įdėjimas ir išėmimas

### Pasirenkamas priedas

Tik įrankiams su veleno sriegiu M14.

**▲PERSPĖJIMAS:** Su „Super“ jungė nenaudokite „Eznut“. Šios jungės yra itin storos ir ant veleno nebus užsuktas visas sriegius.

Uždėkite vidinę jungę, šlifavimo diską ir veržlę „Eznut“ ant veleno taip, kad ant „Eznut“ esantis logotipas „Makita“ būtų nukreiptas į išorę.

► **Pav.15:** 1. „Eznut“ 2. Šlifavimo diskas 3. Vidinė jungė 4. Velenas

Tvirtai įspauskite ašies fiksatorių ir priveržkite veržlę „Eznut“, sukdami abrazyvinį diską pagal laikrodžio rodyklę tiek, kiek jis sukis.

► **Pav.16:** 1. Ašies fiksatorius

„Eznut“ atlaisvinti sukite jos išorinį žiedą prieš laikrodžio rodyklę.

**PASTABA:** Jeigu tik rodyklė nukreipta įrانتos link, veržlę „Eznut“ galima atsukti rankomis. Kitais atvejais, norint ją atsukti, reikia fiksavimo veržlės veržliarakčio. Įkiškite vieną veržliarakčio smaigą į angą ir sukite veržlę „Eznut“ prieš laikrodžio rodyklę.

► **Pav.17:** 1. Rodyklė 2. Įranta

► **Pav.18**

## Šlifavimo disko uždėjimas ir nuėmimas

### Pasirenkamas priedas

► **Pav.19:** 1. Šlifavimo priedo fiksuojamoji veržlė 2. Šlifavimo diskas 3. Guminis pagrindas

1. Uždėkite ant ašies guminį pagrindą.
2. Uždėkite diską ant guminio pagrindo ir užsukite antveržlę ant veleno.
3. Laikykite veleną su ašies fiksatoriumi ir fiksuojamosios veržlės veržliarakčiu pagal laikrodžio rodyklę gerai priveržkite šlifavimo priedo fiksuojamąją veržlę.

Jei norite nuimti diską, laikykitės uždėjimo procedūros atvirkščia tvarka.

**PASTABA:** Naudokite šiame vadove išvardintus papildomus šlifavimo priedus. Juos reikia įsigyti atskirai.

## Šlifuojamojo pjovimo disko / deimantinio disko naudojimas

### Pasirenkamas priedas

**▲ISPĖJIMAS:** Naudodami šlifuojamąjį pjovimo / deimantinį diską, būtinai naudokite tik specialų apsauginį gaubtą, skirtą naudoti su pjovimo diskais.

(Tam tikrose Europos šalyse naudojant deimantinį diską, galima naudoti įprastą apsauginį gaubtą. Vadovaukitės jūsų šalyje galiojančiomis taisyklėmis.)

**▲ISPĖJIMAS:** NIEKADA nenaudokite pjovimo disko šonams šlifuoti.

Uždėkite vidinę jungę ant veleno.

Uždėkite ratuką / diską ant vidinės jungės ir užsukite fiksavimo veržlę ant suklio.

► **Pav.20:** 1. Fiksavimo veržlė 2. Šlifuojamasis pjovimo diskas / deimantinis diskas 3. Vidinė jungė 4. Apsauginis gaubtas šlifuojamajam pjovimo diskui / deimantiniam diskui

### Australijai ir Naujajai Zelandijai

► **Pav.21:** 1. Fiksavimo veržlė 2. Išorinė jungė 78 3. Šlifuojamasis pjovimo diskas / deimantinis diskas 4. Vidinė jungė 78 5. Apsauginis gaubtas šlifuojamajam pjovimo diskui / deimantiniam diskui

## Vielinio šepetėlio sumontavimas

### Pasirenkamas priedas

**▲PERSPĖJIMAS:** Nenaudokite apgadinto arba išbalansuoto šepetėlio. Naudojant apgadintą šepetėlį, prisilietus prie aplūžusių šepetėlio vielų, galima susižeisti.

► **Pav.22:** 1. Vielinis šepetėlis

Nuimkite nuo veleno visus priedus. Užsukite ant veleno vielinį šepetėlį ir priveržkite jį veržliarakčiu.

## Vielinio disko formos šepetėlio sumontavimas

### Pasirenkamas priedas

**▲PERSPĖJIMAS:** Nenaudokite apgadinto arba išbalansuoto vielinio, disko formos šepetėlio. Naudojant apgadintą vielinį, disko formos šepetėlį, prisilietus prie aplūžusių šepetėlio vielų, galima susižeisti.

**▲PERSPĖJIMAS:** Naudodami vielinius, disko formos šepetėlius, VISADA naudokite apsauginį gaubtą, kuriame tilptų atitinkamo skersmens diskas. Naudojimo metu diskas gali subyrėti, o apsauginis gaubtas sumažina galimybę susižeisti.

► **Pav.23:** 1. Vielinis disko formos šepetėlis

Nuimkite nuo veleno visus priedus. Užsukite vielinį disko formos šepetėlį ant veleno ir priveržkite veržliarakčiu.

## Dulkes renkančio disko saugiklio uždėjimas

Dulkes renkančio disko saugiklis šlifavimui (modeliui GA7080 / GA7081 / GA9080 / GA9081)

► **Pav.24:** 1. Fiksavimo veržlė 2. Taurelės tipo deimantinis diskas 3. Taurelės tipo su įvore deimantinis diskas 4. Vidinė jungė 5. Dulkes renkantis disko saugiklis 6. Guolių dėžė

**▲ISPĖJIMAS:** Dulkes renkantis disko saugiklis skirtas naudoti tik šlifuojant plokščią betoninį paviršių su taurelės tipo deimantiniu disku. Nenaudokite jo su šlifavimo akmenimis arba bet kuriam kitai nei nurodytas tikslui.



Dulkes renkantis disko saugiklis pjovimui (modeliai GA9080 / GA9081 / GA9082)

► Pav.25

**PASTABA:** Informacijos, kaip pritvirtinti dulkių rinktuvo dangtį, žr. dulkių rinktuvo dangčio vadove.

## Dulkių siurblio prijungimas

### Pasirenkamas priedas

**▲JSPĖJIMAS:** Niekada nesiurbkite darbo metu susidariusių metalo dalelių. Atliekant tokį darbą susidariusios metalo dalelės yra tiek įkaitusios, kad gali uždegti dulkes ir vakuuminio valymo įrenginyje esantį filtrą.

Norėdami išvengti dulkių aplinkos, kuri susidaro pjaunant mūrą, naudokite dulkes renkančio disko saugiklį ir vakuuminį valymo įrenginį.

Informacijos, kaip surinkti ir naudoti dulkes renkančio disko saugiklį, ieškokite prie jo pridėtoje naudojimo instrukcijoje.

► **Pav.26:** 1. Dulkes renkantis disko saugiklis pjovimui  
2. Vakuuminio valymo įrenginio žarna

## NAUDOJIMAS

**▲JSPĖJIMAS:** Dirbant įrankiu niekada nereikėtų naudoti jėgos. Įrankio svoris sukelia pakankamą spaudimą. Jėgos naudojimas ir per didelis spaudimas kelia disko lūžimo pavojų.

**▲JSPĖJIMAS:** VISUOMET pakeiskite diską, jei įrankis iškrito šlifavimo metu.

**▲JSPĖJIMAS:** NIEKADA nedaužykite disko į ruošinį.

**▲JSPĖJIMAS:** Venkite disko atšokimų ir užkliuvimų, ypač kai apdorojate kampus, aštirus kraštus ir pan. Dėl to galima nesuvaldyti įrankio ir jis gali atšokti.

**▲JSPĖJIMAS:** NIEKADA nenaudokite įrankio su medžio pjovimo ašmenimis ir kitomis pjūklo geležtėmis. Tokius ašmenis naudojant su šlifotuovu dažnai įvyksta atatranka, dėl kurios įrankis tampa nevaldomas ir gali sužeisti žmogų.

**▲JSPĖJIMAS:** Toliau naudojant nusidėvėjusį diską, diskas gali sprogti ir rimtai sužaloti.

**▲PERSPĖJIMAS:** NIEKADA nejunkite įrankio, kai jis liečiasi su ruošiniu, kadangi galite susižeisti.

**▲PERSPĖJIMAS:** Dirbdami visuomet dėvėkite apsauginius akinius arba veido skydelį.

**▲PERSPĖJIMAS:** Panaudoję įrankį visuomet jį išjunkite ir prieš padėdami įrankį palaukite, kol diskas visiškai sustos.

**▲PERSPĖJIMAS:** VISUOMET laikykite įrankį tvirtai, vieną ranką uždėję ant korpuso, o kitą – ant šoninės rankenos.

## Šlifavimas ir šlifavimas švitrinui popieriumi

► Pav.27

Įjunkite įrankį ir tada disku apdirbkite ruošinį.

Laikykite disko kraštą pakreiptą apie 15° laipsnių kampą į ruošinio paviršius.

Naudojant disko apšilimo laikotarpį nedirbkite šlifuoekliu pakreipimo į priekį kryptimi, kadangi jis gali įpjauti ruošinį. Kai disko kraštas naudojant suapvalėja, disku galima dirbti kryptimis į priekį ir atgal.

## Šlifuojamojo pjovimo disko / deimantinio disko naudojimas

### Pasirenkamas priedas

**▲JSPĖJIMAS:** Nespauskite disko ir nenaudokite pernelyg didelio slėgio. Nemėginkite atlikti pernelyg gilių pjūvių. Pernelyg spaudžiant diską, padidėja apkrova ir tikimybė, kad diskas persikreips arba įstrigs pjūvyje; taip pat atsiranda atatrankos, disko lūžimo ir variklio perkaitimo galimybė.

**▲JSPĖJIMAS:** Nepradėkite pjauti atrėmę diską į ruošinį. Palaukite, kol diskas ims sukts visu greičiu, ir atsargiai nuleiskite jį į pjūvį, stumdami įrankį pirmyn ruošinio paviršiumi. Jeigu elektrinį įrankį paleisite ruošinyje, diskas gali įstrigti, pasislinkti arba atšokti.

**▲JSPĖJIMAS:** Pjaudami niekada nekeiskite disko kampo. Spaudžiant pjovimo diską iš šono (pvz., šlifuojant), diskas gali įtrūkti ar sulūžti, sukeldamas pavojų susižeisti.

**▲JSPĖJIMAS:** Deimantinį diską reikia naudoti tik nukreipus jį statmenai pjaunamai medžiagai.

Modeliai GA7080 ir GA9080 – galite sukti sukiojamą rankeną.

Naudojimo pavyzdys: darbas šlifuojamuoju nupjovimo disku su GA7080 / GA9080

► Pav.28

Naudojimo pavyzdys: darbas šlifuojamuoju nupjovimo disku su GA7081 / GA7082 / GA9081 / GA9082

► Pav.29

Naudojimo pavyzdys: darbas deimantiniu disku su GA7080 / GA9080

► Pav.30

Naudojimo pavyzdys: darbas deimantiniu disku su GA7081 / GA7082 / GA9081 / GA9082

► Pav.31

## Vielinio, taurelės formos šepetėlio naudojimas

### Pasirenkamas priedas

**▲PERSPĖJIMAS:** Patikrinkite, kaip veikia šepetėlis, paleidę įrankį veikti be apkrovų ir įsitikinę, kad niekas nestovi priešais arba vienoje linijoje su šepetėliu.

**PASTABA:** Nespauskite pernelyg stipriai, kadangi naudojant vielinį šepetėlį gali sulinkti šereliai. Šepetėlis gali sulūžti pirma laiko.

Naudojimo pavyzdys: vielinio šepetėlio naudojimas

► Pav.32

## Vielinio, disko formos šepetėlio naudojimas

### Pasirenkamas priedas

**▲PERSPĖJIMAS:** Patikrinkite, kaip veikia vielinis, disko formos šepetėlis, paleidę įrankį veikti be apkrovų ir įsitikinę, kad niekas nestovi priešais arba vienoje linijoje su vieliniu, disko formos šepetėliu.

**PASTABA:** Nespauskite pernelyg stipriai, kadangi naudojant vielinį disko formos šepetėlį gali sulinkti šereliai. Šepetėlis gali sulūžti pirma laiko.

Naudojimo pavyzdys: darbas vieliniu disko formos šepetėliu

► Pav.33

## TECHNINĖ PRIEŽIŪRA

**▲PERSPĖJIMAS:** Prieš pradėdami įrankio tikrinimo arba techninės priežiūros darbus, visuomet būtinai išjunkite įrankį ir atjunkite jį nuo maitinimo tinklo.

**PASTABA:** Niekada nenaudokite gazolino, benzino, tirpiklio, spirito arba panašių medžiagų. Gali atsirasti išblukimų, deformacijų arba įtrūkimų.

Kad gaminyt būtų SAUGUS ir PATIKIMAS, jį taisyti, apžiūrėti ar vykdyti bet kokią kitą priežiūrą ar derinimą turi įgaliojasis kompanijos „Makita“ techninės priežiūros centras; reikia naudoti tik kompanijos „Makita“ pagamintas atsargines dalis.

**PASTABA:** Neatlaisvinkite varžto, esančio ant dangtelio. Priešingu atveju dangtelis gali netyčia atsidaryti.

► Pav.34: 1. Varžtas

## Oro ventilacijos angų valymas

Prižiūrėkite, kad įrankis ir jo oro angos būtų švarios. Reguliariai išvalykite įrankio oro angas arba tada, kai jos užsikemša.

► Pav.35: 1. Oro išleidimo anga 2. Oro įleidimo anga

# PASIRENKAMI PRIEDAI

**▲PERSPĖJIMAS:** Šiuos papildomus priedus arba įtaisus rekomenduojama naudoti su šioje instrukcijoje nurodytu „Makita“ bendrovės įrankiu. Naudojant bet kokius kitus papildomus priedus arba įtaisus, gali kilti pavojus sužeisti žmones. Naudokite tik nurodytą tikslui skirtus papildomus priedus arba įtaisus.

Jeigu norite daugiau sužinoti apie tuos priedus, kreipkitės į artimiausią „Makita“ techninės priežiūros centrą.

► Pav.36

-	180 mm	230 mm
1	Šoninė rankena / kilpinė rankena	
2	Disko saugiklis, skirtas nuspauštam centriniam šlifavimo diskui / poliravimo diskui / lankščiajam diskui / vieliniam disko formos šepetėliui	
3	Vidinė jungė / viršutinė jungė *2	
4	Nuspaustas vidurinis šlifavimo ratukas / poliravimo diskas	
5	Fiksavimo veržlė / „Ezynut“ *1*2	
6	Disko saugiklis abrazyviniams nupjovimo ratukui / deimantiniams diskui *3	
7	Vidinė jungė 78 (tik Australijai ir Naujajai Zelandijai) *4	
8	Šlifuojamasis pjovimo diskas / deimantinis diskas	
9	Išorinė jungė 78 (tik Australijai ir Naujajai Zelandijai) *4	
10	Atraminis pagrindas	
11	Lankstusis diskas	
12	Guminis pagrindas	
13	Abrazyvinis diskas	
14	Šlifavimo priedo fiksuojamoji veržlė	
15	Vielinis disko formos šepetėlis	
16	Vielinis šepetėlis	
17	-	Šoninė rankena dulkes renkančiam disko saugikliui
18	-	Dulkes renkantis disko saugiklis pjovimui *4
19	-	„Super“ jungė *2
20	-	Deimantinis diskas
21	Dulkes renkantis disko saugiklis, skirtas subalansuotam deimantiniams diskui	
22	Subalansuotas deimantinis diskas	
-	Fiksavimo veržlės raktas	
-	Dulkių dangčio priedas	

**PASTABA:** \*1 Tik įrankiams su M14 suklio sriegiu.

**PASTABA:** \*2 Nenaudokite jungės „Super“ kartu su „Ezynut“.

**PASTABA:** \*3 Kai kuriose Europos šalyse, naudojant deimantinį diską, vietoj specialiosios apsaugos, dengiančios abi disko puses, galima naudoti įprastą apsaugą. Vadovaukitės jūsų šalyje galiojančiomis taisyklėmis.

**PASTABA:** \*4 Naudokite kartu vidinę jungę 78 ir išorinę jungę 78. (Tik Australijai ir Naujajai Zelandijai)

**PASTABA:** Kai kurie sąrašė esantys priedai gali būti pateikti įrankio pakuotėje kaip standartiniai priedai. Jie įvairiose šalyse gali skirtis.

## TEHNILISED ANDMED

Mudel:	GA7080	GA7081	GA7082	GA9080	GA9081	GA9082
Ketta läbimõõt	180 mm			230 mm		
Max ketta paksus	7,2 mm			6,5 mm		
Võlli keere	M14 või M16 või 5/8"					
Nimikiirus (n)	8 500 min <sup>-1</sup>			6 600 min <sup>-1</sup>		
Üldpikkus	509 mm	461 mm		509 mm	461 mm	
Netokaal	6,3 – 6,8 kg	6,1 – 6,6 kg	6,0 – 6,5 kg	6,5 – 8,6 kg	6,3 – 8,4 kg	6,2 – 8,3 kg
Ohutusklass	□/II					

- Meie pideva uuringu- ja arendusprogrammi tõttu võidakse tehnilisi andmeid muuta ilma sellest ette teatamata.
- Tehnilised andmed võivad riigiti erineda.
- Kaal võib erineda olenevalt lisaseadis(t)est. Kergeim ja raskeim kombinatsioon EPTA-protseduuri 01/2014 kohaselt on toodud tabelis.

### Kavandatud kasutus

Tööriist on ette nähtud metallide ja kivimaterjali veeta käimiseks, lihvimiseks ja lõikamiseks.

### Vooluvarustus

Seadet võib ühendada ainult andmesildil näidatud pingega vooluvõrku ning seda saab kasutada ainult ühefaasilisel vahelduvvoolutoitel. Seadmel on kahekordne isolatsioon ning seega võib seda kasutada ka ilma maandusjuhtmeta pistikupessa ühendatud.

### Müra

Tüüpiline A-korrigeeritud müratase, määratud standardi EN60745-2-3 kohaselt:

Mudel	Helirõhutase (L <sub>PA</sub> ): (dB(A))	Helivõimsuse tase (L <sub>WA</sub> ): (dB(A))	Määramatus (K): (dB(A))
GA7080	91	102	3
GA7081	91	102	3
GA7082	91	102	3
GA9080	92	103	3
GA9081	92	103	3
GA9082	92	103	3

**MÄRKUS:** Deklareeritud müra väärtust (väärtuseid) on mõõdetud kooskõlas standardse katsemeetodiga ning seda võib kasutada ühe seadme võrdlemiseks teisega.

**MÄRKUS:** Deklareeritud müra väärtust (väärtuseid) võib kasutada ka mürataseme esmaseks hindamiseks.

**⚠️HOIATUS:** Kasutage kõrvakaitsmeid.

**⚠️HOIATUS:** Müratase võib elektritööriista tegelikkuses kasutamise ajal erineda deklareeritud väärtust(t) est olenevalt tööriista kasutusviisidest ja eriti töödeldavast toorikust.

**⚠️HOIATUS:** Rakendage operaatori kaitsmiseks kindlasti piisavaid ohutusabinõusid, mis põhinevad hinnangulisel müratasemel tegelikus tööolukorras (võttes arvesse tööperioodi kõiki osasid, näiteks korrad, kui seade lülitatakse välja ja seade töötab tühikäigul, lisaks tööajale).

## Vibratsioon

Vibratsiooni koguväärtus (kolmeteljeliste vektorite summa) määratud standardi EN60745-2-3 kohaselt:

### Töörežiim: pinna lihvimine tavalise külgkäepideme kasutamisega

Mudel	Vibratsioonitase ( $a_{hv, AG}$ ): (m/s <sup>2</sup> )	Määramatus (K): (m/s <sup>2</sup> )
GA7080	5,6	1,5
GA7081	6,8	1,5
GA7082	6,8	1,5
GA9080	5,2	1,5
GA9081	6,3	1,5
GA9082	6,3	1,5

### Töörežiim: pinna lihvimine vibratsioonikindla külgkäepideme kasutamisega

Mudel	Vibratsioonitase ( $a_{hv, AG}$ ): (m/s <sup>2</sup> )	Määramatus (K): (m/s <sup>2</sup> )
GA7080	5,9	1,5
GA7081	7,3	1,5
GA7082	7,3	1,5
GA9080	5,3	1,5
GA9081	5,4	1,5
GA9082	5,4	1,5

### Töörežiim: ketaslihvimine tavalise külgkäepideme kasutamisega

Mudel	Vibratsioonitase ( $a_{hv, AG}$ ): (m/s <sup>2</sup> )	Määramatus (K): (m/s <sup>2</sup> )
GA7080	3,6	1,5
GA7081	3,2	1,5
GA7082	3,2	1,5
GA9080	2,5 m/s <sup>2</sup> või vähem	1,5
GA9081	2,7	1,5
GA9082	2,7	1,5

### Töörežiim: ketaslihvimine vibratsioonikindla külgkäepideme kasutamisega

Mudel	Vibratsioonitase ( $a_{hv, AG}$ ): (m/s <sup>2</sup> )	Määramatus (K): (m/s <sup>2</sup> )
GA7080	3,9	1,5
GA7081	3,1	1,5
GA7082	3,1	1,5
GA9080	2,5 m/s <sup>2</sup> või vähem	1,5
GA9081	3,1	1,5
GA9082	3,1	1,5

**MÄRKUS:** Deklareeritud vibratsiooni koguväärtust (-väärtuseid) on mõõdetud kooskõlas standardse katsemeetodiga ning seda võib kasutada ühe seadme võrdlemiseks teisega.

**MÄRKUS:** Deklareeritud vibratsiooni koguväärtust (-väärtuseid) võib kasutada ka mürataseme esmaseks hindamiseks.

**⚠️HOIATUS:** Vibratsioonitase võib elektritööriista tegelikkuses kasutamise ajal erineda deklareeritud väärtus(t)est olenevalt tööriista kasutusviisidest ja eriti töödeldavast toorikust.

**⚠️HOIATUS:** Rakendage operaatori kaitsmiseks kindlasti piisavaid ohutusabinõusid, mis põhinevad hinnangulisel müratasemel tegelikul töösituatsioonis (võttes arvesse tööperioodi kõiki osasid, näiteks korrad, kui seade lülitatakse välja ja seade töötab tühikäigul, lisaks tööajale).

**⚠️HOIATUS:** Deklareeritud vibratsiooniheite väärtust kasutatakse elektritööriista peamisest otstarbest lähtudes. Kui tööriista kasutatakse muul otstarbel, võib vibratsiooniheite väärtus olla erinev.

## Vastavusdeklaratsioon

### Ainult Euroopa riikide puhul

Vastavusdeklaratsioonid on selle juhendi A-lisas.

## OHUTUSHOIATUSED

### Üldised elektritööriistade ohutushoiatused

**⚠ HOIATUS** Lugege läbi kõik selle elektritööriistaga kaasas olevad ohutushoiatused, juhised, illustatsioonid ja tehnilised andmed. Alljärgnevate juhiste eiramine võib põhjustada elektrilöögi, süttimise ja/või raske kehavigastuse.

### Hoidke edaspidisteks viideteks alles kõik hoiatused ja juhtnöörid.

Hoiatustes kasutatud termini „elektritööriist“ all peetakse silmas elektriga töötavaid (juhtmega) elektritööriistu või akuga töötavaid (juhtmata) elektritööriistu.

### Lihvija ohutusnõuded

**Turvahoiatused.** Tavalised turvahoiatused lihvimiseks, poleerimiseks, terasharjamiseks või abrasiivseteks lõikeoperatsioonideks:

1. **See elektritööriist on mõeldud lihvimisseadme, poleerimisseadme, terasharja või lõiketööriistana kasutamiseks.** Lugege kõiki elektritööriistaga kaasasolevaid ohutus- ja kasutusjuhendeid ning tutvuge illustatsioonide ja tehniliste andmetega. Kõigi juhendite täpne järgimine ennetab elektrilöögi-, tulekahju ja/või vigastusohu.
2. **Selle elektritööriistaga ei soovitata poleerida.** Toimingud, milleks elektritööriist pole ette nähtud, võivad tekitada ohtliku olukorra ja põhjustada kehavigastusi.
3. **Ärge kasutage tarvikuid, mida tootja ei ole selle tööriista jaoks spetsiaalselt välja töötanud.** Tarviku elektritööriistale kinnitamise võimalus ei taga veel selle ohutut tööd.
4. **Tarviku nimikiirus peab olema vähemalt võrdne elektritööriistale märgitud maksimaalse kiirusega.** Tarvikud, mis töötavad nimikiirusest suuremal kiirusel, võivad katki minna ja laiali lennata.
5. **Tarviku välisdiameeter ja paksus peavad jääma Teie elektritööriista puhul ettenähtud parameetrite nimiaandmete vahemikku.** Valede mõõtudega tarvikud ei ole tööriistas nõuetekohaselt kaitstud ega kontrolli all.
6. **Tarvikute keermeskinnitus peab vastama lihvmasinale või liigse suurusele.** Äärikutega kinnitatavate tarvikute korral peab tarviku võlliava sobima ääriku fikseeriva läbimõõduga. Tarvikud, mis ei sobitu elektritööriista paigaldusseadisega, kaotavad tasakaalu, hakkavad vibreerima ja võivad kaotada juhitavuse.
7. **Ärge kasutage vigast lisatarvikut.** Enne iga kasutust kontrollige, et lihvketastel ei oleks laaste ega mõrasid, et tugi ketastel ei oleks mõrasid, rebendeid ega liigset kulumust, et terasharjade harjased ei oleks lahtised ega purunenud. Kui elektritööriist või lisatarviku kukub maha, kontrollige, et see ei oleks kahjustunud, või paigaldage uus lisatarviku. Pärast lisatarviku kontrolli ja paigaldust minge koos kõrvalseisjatega pöörlevast lisatarvikust eemale ja käituge elektritööriista maksimaalsel koormusvabal kiirusel üheks minutiks. Kahjustatud lisatarvikud lähevad tavaliselt selle testi ajal katki.
8. **Kandke isiklikku kaitsevarustust.** Rakendusest olenevalt kandke näokaitset, kaitseprille või prille. Vajaduse korral kandke tolmumaski, kõvaklappe, kindaid ja põlle, mis suudab kaitsta väikeste abrasiivosakeste või töödeldava detaili kildude eest. Silmakaitse peavad kaitsma töö käigus tekkivate lenduvate osakeste eest. Tolmumask või respiraator peab kaitsma töö käigus tekkivate filtreeruvate osakeste eest. Alaline kokkupuude suure müraga võib põhjustada kuulmiskahjustuse.
9. **Hoidke kõrvalseisjad tõelast turvalises kauguses.** Kõik, kes sisenevad tööalasse, peavad kandma kaitsevarustust. Töödeldava detaili või tarvikute osakesed võivad eemale lennata ja põhjustada vigastusi ka väljaspool vahetut tööala.
10. **Hoidke elektritööriista isoleeritud haardepindadest, kui töötate kohas, kus lõiketara võib sattuda kokkupuutesse varjatud juhtmete või seadme enda toitejuhtmega.** Voolu all oleva juhtmega kokkupuutesse sattunud lõiketara võib pingestada elektritööriista metallosi ning põhjustada kasutajale elektrilöögi.
11. **Hoidke juhe pöörlevast tarvikust eemal.** Kontrolli kaotamisel võib juhe katkeda või kinni jääda, tõmmates käe või käsivarre pöörlevasse tarvikusse.
12. **Ärge pange elektritööriista kunagi maha enne, kui tarviku liikumine pole täielikult peatunud.** Pöörlev tarvik võib pinnal liikumist jätkata ja põhjustada elektritööriista väljumise teie kontrolli alt.
13. **Ärge käituge elektritööriista selle kandmise ajal.** Juhuslik kokkupuude pöörleva tarvikuga võib põhjustada riiete kinnijäämist ja tarviku kehasse tõmmata.
14. **Puhastage elektritööriista õhuavasid regulaarselt.** Mootori ventilaator tõmbab tolmu korpusesse ja metallitolmu liigne kogunemine võib põhjustada elektriõhku.
15. **Ärge kasutage seadet tuleohtlike materjalide lähedal.** Need materjalid võivad sademetest süttida.
16. **Ärge kasutage tarvikuid, mis nõuavad jahutusvedelikke.** Vee või teiste vedelate jahutusvahendite kasutamine võib põhjustada surmava elektrilöögi või -šoki.

## Tagasilöök ja vastavad hoiatused

Tagasilöök on äkiline reaktsioon, kui pöörlev ketas, aluspadid, hari või mõni muu lisatarvik kiilub kinni või satub ootamatu takistuse otsa. Väändumine või pörkumine põhjustab kiiret pöörleva lisatarviku vääratamist, mis omakorda sunnib ühenduspunkti juhitamatult elektritööriista pöörlema vastassuunas lisatarviku pöörlemise suunale. Näiteks kui abrasiivne ketas kiilub töödeldavasse detaili kinni, võib kinnikiilumiskohta sisenenud lõikeketta serv materjali pinda tungida, mille tagajärjel hüppab lõikeketas välja või põhjustab tagasilööki. Lõikeketas võib hüpata kasutaja poole või kasutajast eemale olenevalt ketta liikumissuunast kinnikiilumiskohas. Lihvkettad võivad neis tingimustes samuti puruneda. Tagasilöök tekib elektritööriista väärkasutamisel ja/või mittevastava tööprotseduuri või -tingimuste korral ning on vältidav, kui rakendate alljärgnevalt esitatud vastavaid ettevaatusabinõusid.

1. **Hoidke elektritööriistast tugevasti kinni ning seadke keha ja küünarnukk sellisesse asendisse, mis võimaldab tagasilöögile õigesti reageerida. Kasutage alati abikäepidet, kui see on olemas, et tööriista käivitamisel tagasilöögi ja pöördemomendi vastumõju üle kontrolli saavutada.** Asjakohaste ettevaatusabinõude rakendamisel saab operaator tagasilöögi ja pöördemomendi vastumõju kontrollida.
2. **Ärge kunagi asetage kätt pöörleva tarviku lähedale.** Te võite tarvikult tagasilöögi saada.
3. **Ärge viibige alas, kus elektritööriist võib tagasilöögi ajal liikuda.** Tagasilöök paneb tööriista pörkekohas ketta liikumissuunale vastupidises suunas liikuma.
4. **Olge eriti ettevaatlik, kui töötlete nurki, teravaid servi jne. Vältige tarviku pörkumist esemete vastu.** Nurgad, teravad servad ja tagasipörkamine on tavaliselt nendeks teguriteks, mis võivad põhjustada pöörleva tarviku kinnijäämist, kontrolli kaotamist või tagasilööki.
5. **Ärge kunagi seadistage puulõiketeraga saeketti või hammastega saetera.** Sellised terad tekitavad sageli tagasilööki ja juhitavuse kadu.

## Spetsiaalsed turvahoiatused lihvimiseks ja abrasiivseteks lõikeoperatsioonideks:

1. **Kasutage vaid kettatüüpe, mida teie elektritööriistale soovitatakse, ja valitud kettale mõeldud spetsiaalset piiret.** Kettaid, mille jaoks elektritööriist ei olnud mõeldud, ei saa piisavalt kaitsta ja need ei ole turvalised.
2. **Õhema keskosaga lihvketaste lihvpind peab jääma kaitsepiirde tasapinnast allapoole.** Kui ketas on valesti paigaldatud ja ulatub kaitsepiirde tasapinnast välja, ei ole võimalik seda piisavalt kaitsta.
3. **Kaitsepiire kinnitatakse tugevasti elektritööriista külge ja seadistatakse maksimaalselt ohutust tagavasse asendisse nii, et lõikeketas jääks kasutajast võimalikult kaugel.** Piire aitab kaitajat kaitsta purunenud kettatükkide, kettaga juhuslikku kokkupuutes sattumise ja rõivaid süüdata võivate sädemete eest.
4. **Kettaid tohib kasutada ainult sellel otstarbel, milleks need on mõeldud.** Näiteks ärge kasutage lõikeketta külge lihvimiseks. Abrasiivlõikekettad on ette nähtud äärepindade lihvimiseks, nendele ketastele rakendatavad külgjõud võivad ketta purustada.

5. **Kasutage ainult terveid kettaäärikuid, mis on valitud ketta jaoks sobiva suuruse ja kujuga.** Sobivad kettaäärikud toestavad kettast, vähendades nii ketta purunemise ohtu. Lõikeketaste äärikud võivad lihvketaste ääriketest erineda.
6. **Ärge kasutage suuremate elektritööriistade kulunud kettaid.** Suurema elektritööriista jaoks tehtud ketas ei sobi väiksema tööriista suurema kiirusega ja võib katki minna.

## Lisanduvaid turvahoiatused abrasiivseteks lõikeoperatsioonideks:

1. **Ärge ummistage lõikeketast ega rakendage liigset jõudu. Ärge püüdke teha liiga sügavat lõiget.** Ketta ülepingestamine suurendab ketta koormust ja vastuvõtlikkust väändumisele või kinnijäämisele lõikes ning tagasilöögi esinemise või ketta purunemise võimalust.
2. **Ärge seadke ennast ühele joonele pöörleva lõikekettaga ega selle taha.** Kui ketas liigub käituse ajal teie kehast eemale, võib tõenäoline tagasilöök pöördketast ja elektritööriista otse teie suunas liigutada.
3. **Kui ketas kiilub kinni või lõikamine katkeb mingil põhjusel, lülitage elektritööriist välja ja hoidke tööriista liikumatult kuni ketta täieliku seisumiseni. Ärge kunagi püüdke eemaldada lõikeketast lõikest, kui ketas liigub, sest võib esineda tagasilööki.** Selgitage välja ketta kinnijäämise põhjus ja rakendage asjakohast parandusmeetet põhjuse kõrvaldamiseks.
4. **Ärge käivitage lõikamist töödeldavas detailis. Laske kettal saavutada täiskiiirus ja sisenege uuesti hoolikalt lõikesse.** Kui elektritööriist taaskäivitatakse töödeldavas detailis, võib ketas kinni jääda, ülespoole liikuda või põhjustada tagasilöögi.
5. **Vähendamaks ketta pitsumise ja tagasilöögi ohtu, toestage paneelid või ülemõdulised töödeldavad detailid.** Suured detailid hakkavad painduma omaenese raskuse all. Toed tuleb paigutada töödeldava detaili alla lõikejoone lähedale ja tooriku serva lähedale ketta mõlemal küljel.
6. **Olge eriti ettevaatlik, kui teete „sukelduslõikamist“ olemasolevates seintes või muudes varjatud piirkondades.** Väljaulatuv lõiketera võib lõikuda gaasi- või veetorusdes, elektrijuhtmetesse või muudesse esemetesse ning põhjustada tagasilöögi.

## Poleerimistöõde turvahoiatused:

1. **Ärge kasutage liiga suurte mõõtmetega poleeriketta paberit.** Lihvpaberi valikul järgige tootja soovitusi. Lihvklotsist kaugemale ulatuv suurem lihvpaber on rebenemisohhtlik ja võib põhjustada ketta kinnijäämist, purunemist või tagasilööki.

## Terasharjamise operatsioonide turvahoiatused:

1. **Arvestage sellega, et hari viskab traatharjaseid eemale ka tavakäituse ajal. Ärge avaldage terastraatidele liigset pinget harjale liigse koormuse rakendamisega.** Terasharjased võivad lihtsalt kergesse rõivastusse ja/või nahka tungida.
2. **Kui terasharjamil soovitatakse kasutada piiret, ärge laske teraskettal ega -harjal piirdega kokku puutuda.** Terasketas või -hari võib töökoormuse ja tsentrifugaaljõu tõttu läbimõeldult laieneda.



## Lisaturvahoitused:

1. Kui kasutate nõgusa keskosaga lihvkettaid, veenduge, et kasutate ainult klaaskiuga tugevdatud kettad.
2. **ÄRGE KUNAGI** kasutage selle lihvijaga koos kauslihvkettaid. Seda lihvijat ei kasutata koos nimetatud ketastega, sest need võivad põhjustada tõsise kehavigastuse.
3. **Ärge** vigastage vööriid, äärikut (eriti selle paigalduspinda) ega fiksaatormutrit. Nende osade kahjustused võivad põhjustada ketta purunemise.
4. **Veenduge**, et lihvketas ei puutuks enne tööriista sisselülitamist vastu töödeldavat detaili.
5. **Enne** tööriista kasutamist tegelikus töökeskkonnas laske sellel mõni aeg koormuseta töötada. Jälgige vibratsiooni või vibamist, mis võib tähendada ebaõiget paigaldust või halvasti tasakaalustatud ketast.
6. Lihvige selleks ette nähtud kettapinna osaga.
7. **Ärge** jätke tööriista käima. Käivitage tööriist ainult siis, kui hoiate seda käes.
8. **Ärge** puutuge töödeldavat detaili vahetult pärast töötlemist; see võib olla väga kuum ja põhjustada põletushaavu.
9. **Ärge** puutuge tarvikuid vahetult pärast töötlemist; need võivad olla väga kuumad ja põhjustada põletushaavu.
10. Ketta õigeks paigaldamiseks ja kasutamiseks järgige valmistaja juhendeid. Käsitsege ja ladustage kettaid hoolikalt.
11. **Ärge** kasutage suureauguliste lihvketaste kinnitamiseks sobituspukse või adaptereid.
12. **Kasutage** ainult äärikuid, mis on mõeldud kasutamiseks selle tööriistaga.
13. Tööriistade korral, kus kasutatakse keermetatud auguga kettaid, jälgige, et ketta keerme pikkus oleks piisav vööliile kinnitamiseks.
14. Kontrollige, kas töödeldav detail on korralikult kinnitatud.
15. Pöörake tähelepanu asjaolule, et ketas jätkab pöörlemist ka pärast tööriista väljalülitamist.
16. Kui töökoht on äärmiselt kuum ja niiske või tugevalt saastatud elektrit juhtiva tolmuga, siis tuleb operaatori ohutuse tagamiseks kasutada lühisvoolukatset (30 mA).
17. **Ärge** kasutage tööriista asbesti sisaldavate materjalide töötlemiseks.
18. Kui töötate löikekettaga, siis kasutage alati tolmueemaldusega kettakaitset, mis vastab kohalikele eeskirjadele.
19. **Löikekettaid** ei tohi külgsuunas suruda.
20. **Ärge** kasutage töötamise ajal riidest töökin-daid. Riidest kinnaste kiud võivad sattuda tööriista sisse ja põhjustada tööriista purunemise.
21. **Veenduge**, et tööriista kasutamisel ei oleks läheduses elektrijuhtmeid, vee- ja gaasitorusid jne, mis võivad kahjustama korral tekitada ohtu.

## HOIDKE JUHEND ALLES.

**▲HOIATUS:** ÄRGE UNUSTAGE järgida toote ohutusnõudeid mugavuse või toote (korduskasutamise saavutatud) hea tundmise tõttu. **VALE KASUTUS** või kasutusjuhendi ohutuseeskirjade eiramine võib põhjustada tervisekahjustusi.

## FUNKTSIONAALNE KIRJELDUS

**▲ETTEVAATUST:** Kandke alati hoolt selle eest, et tööriist oleks enne reguleerimist ja kontrollimist välja lülitatud ja vooluvõrgust lahti ühendatud.

### Vööliiluk

Vöölii pöörlemise takistamiseks vajutage vööliilukku alati, kui paigaldate või eemaldate tarvikuid.

► **Joon.1:** 1. Vööliiluk

**▲TÄHELEPANU:** Ärge kasutage kunagi vööliilukku ajal, kui völli veel liigub. See võib tööriista kahjustada.

### Lülitiga käepideme paigaldamise asendid

Ainult mudelile GA7080 / GA9080

**▲ETTEVAATUST:** Enne töö alustamist veenduge alati, et lülitiga käepide oleks soovitud asendisse lukustatud.

Lülitiga käepidet saab pöörata kas 90° vasakule või paremale olenevalt sellest, milline tööasend on sobivaim. Esmalt lülitage tööriist välja. Vajutage lukustusnuppu ning pöörake lülitiga käepide lõpuni vasakule või paremale. Lülitiga käepide lukustatakse selles asendis.

► **Joon.2:** 1. Mootori kere 2. Lukustusnupp  
3. Käepide

### Lüliti funktsioneerimine

**▲ETTEVAATUST:** Kontrollige alati enne tööriista vooluvõrku ühendamist, kas lüliti päästik funktsioneerib nõuete kohaselt ja liigub lahtilaskmisel tagasi väljalülitatud asendisse.

**▲ETTEVAATUST:** Lülitage tööriist voolukatkestuse või juhusliku seiskamise (näiteks töötejuhtme seinapistikupesast väljatõmbamise) korral kindlasti välja. Selle eiramisel käivitub tööriist vooluvastuse taastumisel ja võib põhjustada õnnetuse või kehavigastuse.

Lüliti funktsioneerimisel kolm riigist olenevat muustrit.

► **Joon.3:** 1. Lüliti päästik 2. Lukustushoob

## Kinnilukustuse lülitiga tööriista kohta

### Riigikohane

**⚠ETTEVAATUST:** Pikemaajalisel kasutamisel saab lüliti operatoori mugavuse huvides lukustada sisselülitatud asendisse. Tööriista lukustamisel sisselülitatud asendisse olge ettevaatlik ja hoidke tööriista kindlas haardes.

Tööriista käivitamiseks on vaja lihtsalt lüliti päästikut tõmmata (B suunas). Vabastage lüliti päästik tööriista seiskamiseks. Pidevaks tööks tõmmake lüliti päästikut (B suunas) ja vajutage seejärel lukustushoob sisse (A suunas). Lukustatud tööriista seiskamiseks tõmmake lüliti päästik lõpuni (B suunas) ning seejärel vabastage see.

## Lahtilukustuse lülitiga tööriista kohta

### Riigipetsiifiline (sh Austraalia ja Uus-Meremaa)

Selleks, et vältida lüliti päästiku juhuslikku tõmbamist, on elektritööriist varustatud lukustushoovaga. Tööriista käivitamiseks lükake lukustushooba (A suunas) ning seejärel vajutage lüliti päästikule (B suunas). Vabastage lüliti päästik tööriista seiskamiseks.

**TÄHELEPANU:** Ärge tõmmake lüliti päästikut jõuga ilma lukustushooba vajutamata. See võib lüliti ära lõhkuda.

## Kinni- ja lahtilukustuse lülitiga tööriista kohta

### Riigikohane

**⚠ETTEVAATUST:** Pikemaajalisel kasutamisel saab lüliti operatoori mugavuse huvides lukustada sisselülitatud asendisse. Tööriista lukustamisel sisselülitatud asendisse olge ettevaatlik ja hoidke tööriista kindlas haardes.

Selleks, et vältida lüliti päästiku juhuslikku tõmbamist, on elektritööriist varustatud lukustushoovaga. Tööriista käivitamiseks lükake lukustushooba (A suunas) ning seejärel vajutage lüliti päästikule (B suunas). Vabastage lüliti päästik tööriista seiskamiseks. Püsivaks sisselülitamiseks lükake lukustushooba (A suunas), vajutage lüliti päästikule (B suunas) ning seejärel tõmmake lukustushoob tagasi (C suunas). Lukustatud tööriista seiskamiseks tõmmake lüliti päästik lõpuni (B suunas) ning seejärel vabastage see.

**TÄHELEPANU:** Ärge tõmmake lüliti päästikut jõuga ilma lukustushooba vajutamata. See võib lüliti ära lõhkuda.

## Märgutuli

**Ainult mudelile GA7080 / GA7081 / GA9080 / GA9081**  
► **Joon.4:** 1. Märgutuli

Roheline toite märgutuli süttib, kui tööriist on vooluvõrku ühendatud.

Kui märgutuli ei sütti, on võimalik, et toitejuhe või juhtseade on defektnne.

Kui märgutuli süttib põlema, aga tööriist ei käivitu sisselülitamisel, võivad süsiharjad olla kulunud või juhtelement, mootor või lüliti võivad olla defektsed.

## Tahtmatu taaskäivituse tõestus

**Ainult mudelile GA7080 / GA7081 / GA9080 / GA9081**

Tööriist ei käivitu, kui lüliti on lukus, isegi kui tööriist on vooluvõrku ühendatud.

Sellisel juhul vilgub märgutuli punaselt näitamaks, et tahtmatu taaskäivitamise kinnituse seade töötab. Tahtmatu taaskäivitamise kinnituse tühistamiseks keerate lüliti tagasi asendisse OFF (Väljas).

**MÄRKUS:** Tahtmatu taaskäivituse kinnituse töötamise korral oodake vähemalt üks sekund, enne kui tööriista taaskäivate.

## Sujuvkäivituse funktsioon

**Ainult mudelile GA7080 / GA7081 / GA9080 / GA9081**

Sujuvkäivituse funktsioon vähendab käivituslööki.

## KOKKUPANEK

**⚠ETTEVAATUST:** Enne tööriistal mingite tööde tegemist kandke alati hoolt selle eest, et see oleks välja lülitatud ja vooluvõrgust lahti ühendatud.

## Külgkäepideme (käepide) paigaldamine

**⚠ETTEVAATUST:** Enne tööd kontrollige alati, kas külgkäepide on kindlalt paigaldatud.

**⚠ETTEVAATUST:** Külgkäepideme võib paigaldada 3 avale. Paigaldage külgkäepide olenevalt tehtavast tööst ühele avale.

Kruvige külgkäepide kindlalt oma kohale, nii nagu joonisel näidatud.

► **Joon.5**

## Aaspideme paigaldamine või eemaldamine

### Valikuline tarvik

**⚠ETTEVAATUST:** Enne kasutamist kontrollige, et aaspideme poldid oleks kindlalt pingutatud.

**⚠ETTEVAATUST:** Hoidke aaspidet haardealast, nagu on näidatud joonisel. Samuti hoidke lihvasina kasutamise ajal oma käsi metallosast eemal. Metallist osa puudutamisel võite saada elektrilöögi, kui lõikamiseseade lõikab ootamatult elektrijuhtet.

Mõne rakenduse puhul võib aaspideme olla mugavam kui esialgne külgkäepide. Aaspideme paigaldamiseks pange see tööriista külge, nagu joonisel näidatud, ja kinnitage kaks poldi.

Aaspideme eemaldamiseks järgige paigaldamise protseduuri vastupidises järjekorras.

► **Joon.6:** 1. Aaspideme 2. Pold 3. Haardeala

## Kettakaitse (nõgusa keskosaga kettale, lamellkettale, painduvale kettale, ketastraatharjale, lihvketale, teemantkettale) paigaldamine või eemaldamine

**⚠HOIATUS:** Kui kasutate nõgusa keskosaga ketast, lamellketast, painduvat ketast või ketast-raatharja, tuleb kettakaitse paigaldada tööriista külge nii, et kaitsme kinnine külg jääks alati operaatori poole.

**⚠HOIATUS:** Kui kasutate lihv-/teemantketast, siis valige kindlasti spetsiaalselt selle löikekettaga kasutamiseks mõeldud kettakaitse.

(Mõnes Euroopa riigis võib teemantketta puhul kasutada tavalist kettakaitset. Järgige oma riigis kehtivaid eeskirju.)

## Lukustuskruvi tüüpi kettakaitsmega tööriistad

Paigaldage kettakaitse selliselt, et kettakaitsme klambri eendid oleksid laagriümbrise sälkudega kohakuti. Seejärel pöörake kettakaitse sellise nurga alla, et see kaitseks kasutajat vastavalt tööle. Pärast paigaldust pingutage kindlasti korralikult kruvi. Kettakaitsme eemaldamiseks järgige paigaldamise protseduuri vastupidises järjekorras.

► **Joon.7:** 1. Kettakaitse 2. Laagriümbris 3. Kruvi

## Klamberhoova tüüpi kettakaitsmega tööriist

### Valikuline tarvik

**⚠HOIATUS:** Kettakaitse tuleb alati paigaldada tööriista külge selliselt, et kaitsme lähim külg osutaks alati operaatori poole.

Lõdvendage mutter ja tõmmake seejärel hooba noolega osutatud suunas.

► **Joon.8:** 1. Mutter 2. Hoob

Paigaldage kettakaitse nii, et kettakaitsme klambri eendid oleksid laagriümbrise sälkudega kohakuti. Seejärel pöörake kettakaitse sellise nurga alla, et see kaitseks kasutajat tehtaval tööel.

► **Joon.9:** 1. Kettakaitse 2. Laagriümbris

► **Joon.10:** 1. Kettakaitse

Kettakaitsme kinnitamiseks keerake mutter mutrivõtme abil kindlalt kinni ja sulgege hoob noolega näidatud suunas. Kui hoob on kettakaitsme kinnitamiseks kas liiga pingul või liiga lõdvalt, avage hoob ja vabastage või pingutage mutrit mutrivõtme, et kettakaitsme klambri pingutus reguleerida.

► **Joon.11:** 1. Mutter 2. Hoob

Kettakaitsme eemaldamiseks järgige paigaldamise protseduuri vastupidises järjekorras.

## Nõgusa keskosaga ketta või lamellketta paigaldamine või eemaldamine

### Valikuline tarvik

**⚠HOIATUS:** Kui kasutate nõgusa keskosaga ketast või lamellketast, tuleb kettakaitse paigaldada tööriista külge nii, et kaitse kinnine külg jääks alati operaatori poole.

**⚠ETTEVAATUST:** Veenduge, et siseääriku paigaldusosa sobiks suurepäraselt nõgusa keskosaga ketta / lamellketta siseläbimõõduga. Siseääriku paigaldamine valele küljele võib põhjustada ohtlikku vibratsiooni.

Paigaldage siseäärik völliile.

Asetage siseääriku süvendatud pool kindlasti völli põhjas sirgele osale.

Sobitage ketas sisemisele äärikule ja keerake fiksaator-mutter völliile, väljalatuv osa vaatega alla (esiküljega vastu ketast).

► **Joon.12:** 1. Fiksaator-mutter 2. Nõgusa keskosaga ketas 3. Siseäärik 4. Paigaldusosa

Fiksaatormutri pingutamiseks suruge tugevalt völli lukustusnuppu nii, et völli ei saaks pöörduda, ning pingutage fiksaatormutrit fiksaatormutri jaoks ettenähtud võtmega päripäeva.

► **Joon.13:** 1. Fiksaatormutri vöti 2. Völlilukk

Ketta eemaldamiseks järgige paigaldamise protseduuri vastupidises järjekorras.

## Lõikeketta paigaldamine või eemaldamine

### Valikuline tarvik

**⚠HOIATUS:** Kasutage alati kaasasolevat kaitset, kui tööriistal on painduv ketas. Kui ketas peaks töötamisel tükikideks purunema, aitab kaitse vigastusi vältida.

► **Joon.14:** 1. Fiksaator-mutter 2. Painduv ketas 3. Tugipadi 4. Siseäärik

Järgige nõgusa keskosaga ketta juhtnööre, kuid kasutage kettal ka tugipatja. Vt kokkupaneku järjekorda selle kasutusjuhendi tarvikute leheküljelt.

## Superäärik

### Valikuline tarvik

Superäärik on eritarvik mudelile, millel EI OLE pidurifunktsiooni.

Tähega „F“ märgistatud mudelitel on superäärik standardvarustuses. Võrreldes tavalist tüüpi mutritega vajate fiksaatormutri avamisel kolm korda vähem jõudu.

## Ezynuti paigaldamine või eemaldamine

### Valikuline tarvik

Ainult tööriistadele, millel on võlli keere M14.

**⚠ETTEVAATUST:** Ärge kasutage Ezynuti koos superäärikuga. Need äärikud on nii paksud, et võlli ei suuda kogu keeret hoida.

Paigaldage siseäärik, abrasiivketas ja Ezynut võllile nii, et Makita logo jääks Ezynutil väljapoole.

► **Joon.15:** 1. Ezynut 2. Abrasiivketas 3. Siseäärik 4. Võll

Vajutage tugevasti võllilukule ja kinnitage Ezynut, keerates abrasiivketast päripäeva lõpuni.

► **Joon.16:** 1. Võllilukk

Ezynuti lahtüühendamiseks keerake Ezynuti välisrõngast vastupäeva.

**MÄRKUS:** Ezynuti saab avada käsitsi, kui nool osutab sãlgule. Muidu kasutage avamiseks mutrivõtit. Sisestage mutrivõtme üks sõrm avasse ja pöörake Ezynuti vastupäeva.

► **Joon.17:** 1. Nool 2. Sãlk

► **Joon.18**

## Lihvketta paigaldamine või eemaldamine

### Valikuline tarvik

► **Joon.19:** 1. Lihvimise fiksaatormutter 2. Lihvketas 3. Kummist tugiketas

1. Paigaldage kummist tugiketas võllile.

2. Sobitage ketas kummist tugikettale ja kruvige lihvimise fiksaatormutter võllile.

3. Hoidke võlli koos võllilukuga ja pingutage lihvimise fiksaatormutrit lukustusmutri mutrivõtmega päripäeva.

Ketta eemaldamiseks tegutsege paigaldamise protseduurile vastupidises järjekorras.

**MÄRKUS:** Kasutage kasutusjuhendis nimetatud lihvtarvikuid. Need tuleb osta eraldi.

## Lihv-/teemantketta käitamine

### Valikuline tarvik

**⚠HOIATUS:** Kui kasutate lihv-/teemantketast, siis valige kindlasti spetsiaalselt selle lõikekettaga kasutamiseks mõeldud kettakaitse.

(Mõnes Euroopa riigis võib teemantketta puhul kasutada tavalist kettakaitset. Järgige oma riigis kehtivaid eeskirju.)

**⚠HOIATUS:** ÄRGE KUNAGI kasutage lõikekettast küglihvimiseks.

Paigaldage siseäärik võllile.

Paigaldage ketas siseääriku peale ja keerake fiksaatormutter võlli külge.

► **Joon.20:** 1. Fiksaatormutter 2. Lihv-/teemantketas 3. Siseäärik 4. Lihv-/teemantketta ketta kaitse

### Austraalia ja Uus-Meremaa tarbijale

► **Joon.21:** 1. Fiksaatormutter 2. Välisäärik 78 3. Lihv-/teemantketas 4. Siseäärik 78 5. Lihv-/teemantketta ketta kaitse

## Traatidega kaussharja paigaldamine

### Valikuline tarvik

**⚠ETTEVAATUST:** Ärge kasutage kahjustatud või balansseerimata harja. Kahjustatud harja kasutamine võib suurendada harja katkiste terasharjaste põhjustatud vigastusohu.

► **Joon.22:** 1. Kausshari Terasharjad

Eemaldage võllil olev tarvik. Paigaldage traatidega kausshari võllile ja keerake mutrivõtmega kinni.

## Ketastraatharja paigaldamine

### Valikuline tarvik

**⚠ETTEVAATUST:** Ärge kasutage kahjustatud või tasakaalustamata ketastraatharja. Kahjustatud ketastraatharja kasutamine võib suurendada katkiste harjaste põhjustatud vigastusohu.

**⚠ETTEVAATUST:** Kasutage ketastraatharjadega töötamisel ALATI kaitset, valides ketta diameetritele sobiva suuruse. Kui ketas peaks töötamisele tõukideks purunema, aitab kaitse vigastusi vältida.

► **Joon.23:** 1. Ketastraathari

Eemaldage võllil olev tarvik. Keerake ketastraathari võllile ja kinnitage mutrivõtmega.

## Tolmukoguriga kettakaitse paigaldamine

Tolmukoguriga kettakaitse lihvimiseks (mudelile GA7080 / GA7081 / GA9080 / GA9081)

► **Joon.24:** 1. Fiksaatormutter 2. Kausikujuline teemantketas 3. Rummuga kausikujuline teemantketas 4. Siseäärik 5. Tolmukoguriga kettakaitse 6. Tugikorpus

**⚠HOIATUS:** Lihvimiseks mõeldud tolmuoguriga kettakaitset saab kasutada ainult tasase betooni lihvimiseks kausikujulise teemantkettaga. Mitte kasutada käiakividega ega muuks nimetamata otstarbeks.

Tolmukoguriga kettakaitse lõikamiseks (mudelile GA9080 / GA9081 / GA9082)

► **Joon.25**

**MÄRKUS:** Tolmukoguriga katte paigaldamisjuhised leiate tolmuoguriga katte juhendist.

## Tolmuimeja ühendamine

### Valikuline tarvik

**⚠HOIATUS:** Ärge tõmmake tolmuimejasse töö ajal tekkinud metallosakesi. Sellise tegevuse tulemusena tekkinud metallosakesed on niivõrd kuumad, et süütavad tolmuimeja sees oleva tolmu ja filtri.

Müüritse lõikamisel tekkida võiva tolmu keskonna vältimiseks kasutage tolmuemaldusega kettakaitset ja tolmuimejat. Kokkupanemist ja kasutamist vaadake kasutusjuhendist, mis on tolmuemaldusega kettakaitsega kaasas.

► **Joon.26:** 1. Tolmukoguriga kettakaitse lõikamiseks 2. Tolmuimeja voolik

## TÖÖRIISTA KASUTAMINE

**▲HOIATUS:** Ärge kasutage tööriista suhtes kunagi jõudu. Tööriista enda raskus annab piisava surve. Ülemäärane surumine ja surve võivad põhjustada ketta ohtliku purunemise.

**▲HOIATUS:** Vahetage ketas ALATI välja, kui tööriist on käimise ajal maha kukkunud.

**▲HOIATUS:** ÄRGE KUNAGI lööge ketast vastu töödeldavat detaili.

**▲HOIATUS:** Vältige ketta kinnikiilumist ja vastu töödeldavat pinda pörkimist, eriti siis, kui töötate nurkades ja teravate servadega jne. See võib põhjustada ohtlikke tagasilööke.

**▲HOIATUS:** Ärge kasutage tööriista puude saagimise saelehtedega ega muude saelehtedega. Selliste saelehtede kasutamisel lihvijaga annavad need sageli tagasilöögi ja toovad endaga kaasa kontrolli kaotamise, mis põhjustab vigastuste tekkimist.

**▲HOIATUS:** Kulunud ratta jätkuv kasutamine võib põhjustada ketta plahvatuse ja raske kehavigastuse.

**▲ETTEVAATUST:** Ärge käivitage kunagi tööriista, mis on kontaktis töödeldava pinna või detailiga, sest see võib kaasa tuua ohtlikke vigastusi.

**▲ETTEVAATUST:** Kandke töö juures alati kaitseprille või näokatet.

**▲ETTEVAATUST:** Pärast tööd lülitage tööriist alati välja ja oodake enne tööriista käest panemist, kuni ketas on täielikult seiskunud.

**▲ETTEVAATUST:** Hoidke tööriista ALATI kindlalt ühe käega korpusest ja teisega külgakäepidemest.

## Käimise ja lihvimise režiim

► Joon.27

Lülitage tööriist sisse ja alustage seejärel kettaga pinna või detaili töötlemist.

Tavaliselt hoidke ketta serva töödeldava pinna suhtes u 15° nurga all.

Uue ketta sissetöötamisperioodil ärge töötage käiaga edasisuunas; sest muidu võib ketas lõikuda töödeldavasse pinda. Kui ketta serv on töö käigus ümaraks muutunud, võib ketast kasutada nii edasi- kui ka tagasisuunas.

## Lihv-/teemantketta käitamine

Valikuline tarvik

**▲HOIATUS:** Ärge ummistage ketast ega rakendage liigset jõudu. Ärge püüdke teha liiga sügavat lõiget. Liigse jõu rakendamine suurendab koormust ja ketta väänamise või kinnikiilumise tõenäosust lõikejäljes ning tagasilöögi, ketta purunemise ja mootori ülekuumenemise võimalusi.

**▲HOIATUS:** Ärge käivitage töödeldava detaili lõikeoperatsiooni. Laske kettal saavutada täisküürus ja sisenege hoolikalt lõikesse, liigutades tööriista üle töödeldava detaili pinna. Kui elektritööriist taaskäivitatakse töödeldava detaili sees, võib ketas kinni jääda, ülespoole liikuda või põhjustada tagasilöögi.

**▲HOIATUS:** Ärge kunagi muutke ketta nurka lõikeoperatsiooni ajal. Lõikeketastele külgsurve rakendamine (nagu lihvimisel) põhjustab ketta mõramise ja purunemise, mis võib kaasa tuua tõsiseid vigastusi.

**▲HOIATUS:** Teemantketast tuleb kasutada lõigatava materjali suhtes ristloodis.

Mudelitele GA7080 ja GA9080, saate lülitada käepidet keerata.

Kasutusnäide: abrasiivse lõikeketta kasutamine koos mudeliga GA7080 / GA9080  
► Joon.28

Kasutusnäide: abrasiivse lõikeketta kasutamine koos mudeliga GA7081 / GA7082 / GA9081 / GA9082  
► Joon.29

Kasutusnäide: teemantketta kasutamine koos mudeliga GA7080 / GA9080  
► Joon.30

Kasutusnäide: teemantketta kasutamine koos mudeliga GA7081 / GA7082 / GA9081 / GA9082  
► Joon.31

## Traatidega kaussharja käitamine

Valikuline tarvik

**▲ETTEVAATUST:** Kontrollige harja tööd, lastes tööriistal tühjalt käia ja kandes hoolt selle eest, et keegi ei asuks harja ees või sellega ühel joonel.

**TÄHELEPANU:** Vältige liigse surve avaldamist, mis võiks põhjustada traatidega kaussharja kasutamise ajal traatide ülepaandumist. See võib tuua kaasa enneaegse purunemise.

Kasutusnäide: töötamine traatidega kaussharjaga  
► Joon.32

## Ketastraatharja käitamine

### Valikuline tarvik

**⚠ETTEVAATUST:** Kontrollige ketastraatharja tööd, lastes tööriistal tühjalt käia ja kandes hoolt selle eest, et keegi ei asuks ketastraatharja ees või sellega ühel joonel.

**TÄHELEPANU:** Vältige liigse jõu rakendamist, mis põhjustab traatide ülemääraast paindumist ketastraatharja kasutamise ajal. See võib põhjustada enneaegset purunemist.

Kasutusnäide: töötamine ketastraatharjaga

► Joon.33

## HOOLDUS

**⚠ETTEVAATUST:** Enne kontroll- või hooldustoimingute tegemist kandke alati hoolt selle eest, et tööriist oleks välja lülitatud ja vooluvõrgust lahti ühendatud.

**TÄHELEPANU:** Ärge kunagi kasutage bensiini, vedeldit, alkoholi ega midagi muud sarnast. Selle tulemuseks võib olla luitumine, deformatsioon või pragunemine.

Toote OHUTUSE ja TÖÖKINDLUSE tagamiseks tuleb vajalikud remonttööd ning muud hooldus- ja reguleerimistööd lasta teha Makita volitatud teeninduskeskustes või tehase teeninduskeskustes. Alati tuleb kasutada Makita varuosi.

**MÄRKUS:** Ärge lödvendage kattel asuvat kruvi. Muidu võib kate kogemata lahti tulla.

► Joon.34: 1. Kruvi

## Ventilatsiooniava puhastamine

Tööriist ja selle ventilatsiooniavad peavad olema puhtad. Puhastage tööriista ventilatsiooniavasid regulaarselt või siis, kui need hakkavad ummistuma.

► Joon.35: 1. Väljalaskeava 2. Sisselaskeava

# VALIKULISED TARVIKUD

**⚠ETTEVAATUST:** Neid tarvikuid ja lisaseadiseid on soovitatav kasutada koos Makita tööriistaga, mille kasutamist selles kasutusjuhendis kirjeldatakse. Muude tarvikute ja lisaseadiste kasutamisega kaasneb vigastada saamise oht. Kasutage tarvikuid ja lisaseadiseid ainult otstarbekohaselt.

Saate vajaduse korral kohalikust Makita teeninduskeskusest lisateavet nende tarvikute kohta.

► **Joon.36**

-	180 mm	230 mm
1	Külgkäepide/aaspide	
2	Nõgusa keskosaga lihvketta / lamellketta / painduva ketta / ketastraathari kettakaitse	
3	Sisemine äärik / superäärik *2	
4	Nõgusa keskosaga lihvketas / lamellketas	
5	Fiksaatormutter / Ezynut *1*2	
6	Abrasiiv-/teemantketta kettakaitse *3	
7	Sisemine äärik 78 (ainult Austraalia ja Uus-Meremaa) *4	
8	Abrasiivlöikeketas/teemantketas	
9	Välimine äärik 78 (ainult Austraalia ja Uus-Meremaa) *4	
10	Tugitald	
11	Painduv ketas	
12	Kummist tugiketas	
13	Lihvketas	
14	Lihvimise fiksaatormutter	
15	Ketastraathari	
16	Traatidega kausshari	
17	-	Külgkäepide tolmukoguriga kettakaitsele
18	-	Tolmukoguriga kettakaitse löikamiseks *4
19	-	Superäärik *2
20	-	Teemantketas
21	Tolmukoguriga kettakaitse nihkega teemantkettale	
22	Nihkega teemantketas	
-	Fiksaatormutri võti	
-	Tolmukatte moodul	

**MÄRKUS:** \*1 Ainult tööriistadele, millel on võlli keere M14.

**MÄRKUS:** \*2 Ärge kasutage superäärikut ja Ezynuti ühel ajal.

**MÄRKUS:** \*3 Osas Euroopa riikides võib teemantketta kasutamisel kasutada tavalist kaitsekattet, mitte mõlemat ketta külge varjavat spetsiaalset kaitsekattet. Järgige oma riigis kehtivaid eeskirju.

**MÄRKUS:** \*4 Kasutage siseäärikut 78 ja välisäärikut 78 koos. (Ainult Austraalia ja Uus-Meremaa)

**MÄRKUS:** Mõned nimekirjas loetletud tarvikud võivad kuuluda standardvarustusse ning need on lisatud tööriista pakendisse. Need võivad riigiti erineda.



## ТЕХНИЧЕСКИЕ ХАРАКТЕРИСТИКИ

Модель:	GA7080	GA7081	GA7082	GA9080	GA9081	GA9082
Диаметр диска	180 мм			230 мм		
Макс. толщина диска	7,2 мм			6,5 мм		
Резьба шпинделя	M14 или M16 или 5/8 дюйма					
Номинальное число оборотов (n)	8 500 мин <sup>-1</sup>			6 600 мин <sup>-1</sup>		
Общая длина	509 мм	461 мм		509 мм	461 мм	
Масса нетто	6,3– 6,8 кг	6,1– 6,6 кг	6,0– 6,5 кг	6,5– 8,6 кг	6,3– 8,4 кг	6,2– 8,3 кг
Класс безопасности	□/II					

- Благодаря нашей постоянно действующей программе исследований и разработок указанные здесь технические характеристики могут быть изменены без предварительного уведомления.
- Технические характеристики могут различаться в зависимости от страны.
- Масса может отличаться в зависимости от дополнительного оборудования. В таблице представлены комбинации с наибольшей и наименьшей массой в соответствии с процедурой EPTA 01/2014.

### Назначение

Инструмент предназначен для шлифовки, зачистки и резки материалов из металла и камня без использования воды.

### Источник питания

Данный инструмент должен подключаться к источнику питания с напряжением, соответствующим напряжению, указанному на идентификационной пластине, и может работать только от однофазного источника переменного тока. Он имеет двойную изоляцию и поэтому может подключаться к розеткам без заземления.

### Для низковольтных систем общего пользования напряжением от 220 до 250 В.

#### Только для модели GA7082 / GA9082

Включение электрического устройства приводит к колебаниям напряжения. Использование данного устройства в неблагоприятных условиях электропитания может оказывать негативное влияние на работу другого оборудования. Если полное сопротивление в сети питания равно или менее 0,20 Ом, можно предполагать, что данный инструмент не будет оказывать негативного влияния. Сетевая розетка, используемая для данного инструмента, должна быть защищена предохранителем или прерывателем цепи с медленным размыканием.

### Шум

Типичный уровень взвешенного звукового давления (A), измеренный в соответствии с EN60745-2-3:

Модель	Уровень звукового давления (L <sub>рА</sub> ): (дБ (A))	Уровень звуковой мощности (L <sub>вА</sub> ): (дБ (A))	Погрешность (K): (дБ (A))
GA7080	91	102	3
GA7081	91	102	3
GA7082	91	102	3
GA9080	92	103	3
GA9081	92	103	3
GA9082	92	103	3

**ПРИМЕЧАНИЕ:** Заявленное значение распространения шума измерено в соответствии со стандартной методикой испытаний и может быть использовано для сравнения инструментов.

**ПРИМЕЧАНИЕ:** Заявленное значение распространения шума можно также использовать для предварительных оценок воздействия.

**⚠ОСТОРОЖНО:** Используйте средства защиты слуха.

**⚠ОСТОРОЖНО:** Распространение шума во время фактического использования электроинструмента может отличаться от заявленного значения в зависимости от способа применения инструмента и в особенности от типа обрабатываемой детали.

**⚠ОСТОРОЖНО:** Обязательно определите меры безопасности для защиты оператора, основанные на оценке воздействия в реальных условиях использования (с учетом всех этапов рабочего цикла, таких как выключение инструмента, работа без нагрузки и включение).

## Вибрация

Суммарное значение вибрации (сумма векторов по трем осям), определенное в соответствии с EN60745-2-3:

**Рабочий режим: шлифование поверхности с использованием обычной боковой ручки**

Модель	Распространение вибрации ( $a_{hv, AG}$ ) : ( $m/c^2$ )	Погрешность (K): ( $m/c^2$ )
GA7080	5,6	1,5
GA7081	6,8	1,5
GA7082	6,8	1,5
GA9080	5,2	1,5
GA9081	6,3	1,5
GA9082	6,3	1,5

**Рабочий режим: шлифование поверхности с использованием антивибрационной боковой ручки**

Модель	Распространение вибрации ( $a_{hv, AG}$ ) : ( $m/c^2$ )	Погрешность (K): ( $m/c^2$ )
GA7080	5,9	1,5
GA7081	7,3	1,5
GA7082	7,3	1,5
GA9080	5,3	1,5
GA9081	5,4	1,5
GA9082	5,4	1,5

**Рабочий режим: шлифование с использованием обычной боковой ручки**

Модель	Распространение вибрации ( $a_{hv, AG}$ ) : ( $m/c^2$ )	Погрешность (K): ( $m/c^2$ )
GA7080	3,6	1,5
GA7081	3,2	1,5
GA7082	3,2	1,5
GA9080	2,5 $m/c^2$ или менее	1,5
GA9081	2,7	1,5
GA9082	2,7	1,5

**Рабочий режим: шлифование с использованием антивибрационной боковой ручки**

Модель	Распространение вибрации ( $a_{hv, AG}$ ) : ( $m/c^2$ )	Погрешность (K): ( $m/c^2$ )
GA7080	3,9	1,5
GA7081	3,1	1,5
GA7082	3,1	1,5
GA9080	2,5 $m/c^2$ или менее	1,5
GA9081	3,1	1,5
GA9082	3,1	1,5

**ПРИМЕЧАНИЕ:** Заявленное общее значение распространения вибрации измерено в соответствии со стандартной методикой испытаний и может быть использовано для сравнения инструментов.

**ПРИМЕЧАНИЕ:** Заявленное общее значение распространения вибрации можно также использовать для предварительных оценок воздействия.

**⚠ОСТОРОЖНО:** Распространение вибрации во время фактического использования электроинструмента может отличаться от заявленного значения в зависимости от способа применения инструмента и в особенности от типа обрабатываемой детали.

**⚠ОСТОРОЖНО:** Обязательно определите меры безопасности для защиты оператора, основанные на оценке воздействия в реальных условиях использования (с учетом всех этапов рабочего цикла, таких как выключение инструмента, работа без нагрузки и включение).

**⚠ОСТОРОЖНО:** Заявленное значение распространения вибрации относится к основным операциям, выполняемым с помощью электроинструмента. Однако если электроинструмент используется для других целей, уровень вибрации может отличаться.

## Декларации о соответствии

*Только для европейских стран*

Декларации о соответствии включены в Приложение А к настоящему руководству по эксплуатации.

## МЕРЫ БЕЗОПАСНОСТИ

### Общие рекомендации по технике безопасности для электроинструментов

**⚠ОСТОРОЖНО** Ознакомьтесь со всеми инструкциями по технике безопасности, указаниями, иллюстрациями и техническими характеристиками, прилагаемыми к данному электроинструменту. Несоблюдение всех приведенных далее инструкций может привести к поражению электрическим током, возгоранию и/или тяжелым травмам.

### Сохраните брошюру с инструкциями и рекомендациями для дальнейшего использования.

Термин "электроинструмент" в предупреждениях относится ко всему инструменту, работающему от сети (с проводом) или на аккумуляторах (без провода).

### Правила техники безопасности при эксплуатации шлифмашины

Общие предупреждения о правилах техники безопасности при выполнении шлифования, зачистки проволочной щеткой или абразивной резки:

1. Данный электроинструмент предназначен для шлифования, зачистки проволочной щеткой и абразивной резки. Ознакомьтесь со всеми представленными инструкциями по технике безопасности, указаниями, иллюстрациями и техническими характеристиками, прилагаемыми к данному электроинструменту. Несоблюдение каких-либо инструкций, указанных ниже, может привести к поражению электрическим током, пожару и/или серьезной травме.

2. Не рекомендуется пользоваться данным инструментом для выполнения таких операций, как полировка. Использование инструмента не по прямому назначению может привести к опасной ситуации и стать причиной травмы.
3. Не используйте принадлежности других производителей, не рекомендованные производителем данного инструмента. Даже если принадлежность удастся закрепить на инструменте, это не обеспечит безопасность эксплуатации.
4. Номинальная скорость принадлежности должна быть как минимум равна максимальной скорости, обозначенной на инструменте. При превышении номинальной скорости принадлежности она может разломиться на части.
5. Внешний диаметр и толщина принадлежности должны соответствовать номинальной мощности инструмента. Принадлежности, размер которых подобран неверно, не гарантируют безопасности и точности управления.
6. Резьбовые отверстия дополнительных принадлежностей должны совпадать с резьбой шпинделя шлифмашины. Для принадлежности, устанавливаемых с помощью фланцев, отверстие для шпинделя на принадлежности должно соответствовать диаметру фланца. Принадлежности, не соответствующие монтажному креплению электроинструмента, приведут к разбалансировке, сильной вибрации и потере контроля.
7. Не используйте поврежденные принадлежности. Перед каждым использованием принадлежностей типа абразивных дисков проверяйте их на наличие сколов и трещин, проверяйте опорные фланцы на наличие трещин, задиrow или чрезмерного износа, а проволочные щетки - на наличие выпавших или сломанных проволок. Если вы уронили инструмент или принадлежность, осмотрите их на предмет повреждений или установите исправную принадлежность. После осмотра и установки принадлежности встаньте в безопасном положении относительно плоскости вращения принадлежности (и проследите, чтобы это сделали окружающие) и включите инструмент на максимальной скорости без нагрузки на одну минуту. Поврежденная принадлежность обычно ломается в течение пробного периода.

8. **Надевайте индивидуальные средства защиты. В зависимости от выполняемых операций используйте защитную маску или защитные очки. При необходимости надевайте респиратор, средство защиты органов слуха, перчатки и защитный передник для защиты от небольших частиц абразивных материалов или детали.** Средства защиты органов зрения должны предохранять от летящих фрагментов, появляющихся при выполнении различных операций. Пылезащитная маска или респиратор должны обеспечивать фильтрацию пыли, возникающей во время работы. Продолжительное воздействие сильного шума может стать причиной потери слуха.
9. **Посторонние лица должны находиться на безопасном расстоянии от рабочей зоны. Любой приближающийся к рабочему месту человек должен предвзято надеть индивидуальные средства защиты.** Осколки заготовки или сломавшейся принадлежности могут разлететься и причинить травму даже на значительном удалении от рабочего места.
10. **Если при выполнении работ существует риск контакта режущего инструмента со скрутой электропроводкой или собственным шнуром питания, держите электроинструмент только за специально предназначенные изолированные рукоятки.** Контакт с проводом под напряжением может стать причиной поражения оператора током.
11. **Располагайте шнур на расстоянии от вращающейся насадки.** Если вы не удержите инструмент, возможно случайное разрезание или повреждение шнура, а также затягивание руки вращающейся принадлежностью.
12. **Не кладите инструмент, пока принадлежность полностью не остановится.** Вращающаяся насадка может коснуться поверхности, и вы не удержите инструмент.
13. **Не включайте инструмент во время переноски.** Случайный контакт с вращающейся принадлежностью может привести к защемлению одежды и притягиванию принадлежности к телу.
14. **Регулярно прочищайте вентиляционные отверстия инструмента.** Вентилятор электродвигателя засасывает пыль внутрь корпуса, а значительные отложения металлической пыли могут привести к поражению электрическим током.
15. **Не используйте инструмент вблизи горючих материалов.** Эти материалы могут воспламениться от искр.
16. **Не используйте принадлежности, требующие жидкостного охлаждения.** Использование воды или других охлаждающих жидкостей может привести к поражению электротоком.

#### **Отдача и соответствующие предупреждения**

Отдача – это мгновенная реакция на неожиданное застопоривание вращающегося диска, опорной подушки, шетки или другой принадлежности. Зажимание или застопоривание вызывает резкий останов вращающейся принадлежности, что, в свою очередь, приводит к неконтролируемому рывку инструмента в направлении, противоположном вращению принадлежности в момент застревания. Например, если абразивный диск зажимается или прихватывается деталью, край диска, находящийся в точке заклинивания, может углубиться в поверхность детали, что приведет к выкатыванию или выскакиванию диска. Диск может совершить рывок в направлении оператора или обратно, в зависимости от направления перемещения диска в точке заклинивания. Также в этих условиях абразивные диски могут сломаться.

Отдача – это результат неправильного использования электроинструмента и/или неправильных методов или условий работ, чего можно избежать, соблюдая нижеуказанные меры предосторожности.

1. **Крепко держите электроинструмент и располагайте свое тело и руки так, чтобы можно было сопротивляться силам отдачи. Обязательно пользуйтесь вспомогательной рукояткой (при наличии), чтобы обеспечить максимальный контроль над отдачей или крутящим моментом во время пуска.** Оператор способен справиться с крутящим моментом и силами отдачи при условии соблюдения соответствующих мер безопасности.
2. **Берегите руки от вращающейся насадки.** При отдаче насадка может задеть ваши руки.
3. **Не становитесь на возможной траектории движения инструмента в случае отдачи.** При отдаче инструмент сместится в направлении, противоположном вращению диска в момент застревания.
4. **Соблюдайте особую осторожность при обработке углов, острых краев и т. п. Не допускайте ударов и застревания принадлежности.** Углы, острые края и удары способствуют прихватыванию вращающейся принадлежности, которое приводит к выходу из-под контроля или отдаче.
5. **Не устанавливайте на инструмент пильную цепь, принадлежность для резбы по дереву или пильный диск.** Такие пилы часто дают отдачу и приводят к потере контроля.

#### **Специальные предупреждения о безопасности для операций шлифования и абразивной резки:**

1. **Используйте диски только рекомендованных для вашего электроинструмента типов и специальные защитные приспособления, разработанные для выбранного диска.** Диски, не предназначенные для данного инструмента, не обеспечивают достаточную степень защиты и небезопасны.
2. **Шлифовальная поверхность дисков с утолщенным центром должна быть установлена под плоской поверхностью кромок кожаных.** Для неправильно установленного диска, выступающего над плоской поверхностью кромок кожаных, надлежащая защита не гарантируется.

3. Ограждение должно быть надежно закреплено на инструменте и расположено для обеспечения максимальной защиты таким образом, чтобы как можно меньший сегмент диска выступал наружу. Кожух помогает обезопасить оператора от разлета осколков разрушившегося диска, случайного прикосновения к диску и искр, которые могут воспламенить одежду.
4. Диски должны использоваться только по рекомендованному назначению. Например: не шлифуйте краем отрезного диска. Абразивные отрезные диски предназначены для периферийного шлифования, и боковые усилия, приложенные к таким дискам, могут вызвать их разрушение.
5. Обязательно используйте неповрежденные фланцы для дисков соответствующего размера и формы. Подходящие фланцы поддерживают диск, снижая вероятность его повреждения. Фланцы для отрезных дисков могут отличаться от фланцев для шлифовальных дисков.
6. Не используйте изношенные диски от более крупных электроинструментов. Диски, предназначенные для более мощного электроинструмента, не подходят для высокоскоростного электроинструмента меньшей мощности и могут разломиться.

**Дополнительные специальные предупреждения о безопасности для операций абразивной резки:**

1. Не “заклинивайте” отрезной диск и не прикладывайте к нему чрезмерное давление. Не пытайтесь делать слишком глубокий разрез. Перенапряжение диска увеличивает нагрузку и вероятность искривления или застревания диска в прорези, а также отдачи или поломки диска.
2. Не становитесь на возможной траектории движения вращающегося диска и позади него. Если во время работы диск движется от вас, то при отдаче вращающийся диск и инструмент может отбросить прямо на вас.
3. Если диск застревает или процесс резания прерывается по другой причине, выключите электроинструмент и держите его неподвижно до полной остановки диска. Не пытайтесь извлечь отрезной диск из разреза до полной остановки диска, в противном случае может возникнуть отдача. Выясните и устраните причину застревания диска.
4. Не перезапускайте отрезной диск, пока он находится в детали. Дождитесь, пока диск разовьет максимальную скорость, и осторожно погрузите его в разрез. Диск может застрять, отдача может отбросить его вверх или назад, если перезапустить электроинструмент непосредственно в детали.
5. Устанавливайте опоры под панели или большие детали, чтобы уменьшить риск застревания диска и возникновения отдачи. Большие детали имеют тенденцию к прогибанию под собственным весом. При резании таких панелей необходимо поместить опоры под разрезаемую деталью рядом с линией разреза и рядом с краем детали с обеих сторон диска.

6. Будьте особенно осторожны при выполнении врезки в существующих стенах или на других участках, недоступных для осмотра. Выступающая часть диска может перерезать газовые или водопроводные трубы, электропроводку или детали, что может вызвать отдачу.

**Специальные инструкции по технике безопасности для выполнения операций шлифовки:**

1. Не пользуйтесь наждачной бумагой слишком большого размера. При выборе наждачной бумаги следуйте рекомендациям производителя. Большие размеры наждачной бумаги, выступающей за края подложки, могут привести к разрыву бумаги, застреванию, разрушению круга или отдаче.

**Специальные инструкции по технике безопасности, относящиеся к операциям очистки проволочной щеткой:**

1. Берегитесь проволок, которые разлетаются от щетки даже в нормальном режиме работы. Не прикладывайте чрезмерное усилие на проволочку, слишком сильно нажимая на щетку. Проволока щетки может легко пробить одежду и/или кожу.
2. Если для работы по очистке проволочными щетками рекомендуется использовать кожух, не допускайте контакта проволочного диска или щетки с кожухом. Проволочный диск или щетка могут увеличиваться в диаметре под воздействием нагрузки и центробежных сил.

**Дополнительные правила техники безопасности:**

1. При применении дисков с утопленным центром используйте только диски, армированные стекловолокном.
2. ЗАПРЕЩАЕТСЯ ИСПОЛЬЗОВАТЬ с этим инструментом шлифовальные чашки для камня. Данная шлифмашина не предназначена для дисков такого типа, их использование может привести к тяжелой травме.
3. Будьте осторожны во избежание повреждения шпинделя, фланца (особенно его установочной поверхности) или контргайки. Повреждения этих деталей могут привести к поломке диска.
4. Перед включением выключателя убедитесь, что диск не касается детали.
5. Перед использованием инструмента на реальной детали дайте ему немного поработать вхолостую. Следите за вибрацией или биением, которые могут свидетельствовать о неправильной установке или плохой балансировке диска.
6. Для выполнения шлифования пользуйтесь соответствующей поверхностью диска.
7. Не оставляйте работающий инструмент без присмотра. Включайте инструмент только тогда, когда он находится в руках.
8. Сразу после окончания работ не прикасайтесь к обработанной детали. Она может быть очень горячей, что приведет к ожогам кожи.

9. Сразу после окончания работ не прикасайтесь к вспомогательным деталям. Они могут быть очень горячими, что приведет к ожогам кожи.
10. Соблюдайте инструкции изготовителя по правильной установке и использованию дисков. Бережно обращайтесь с дисками и аккуратно храните их.
11. Не пользуйтесь отдельными переходными втулками или адаптерами для крепления абразивных дисков с большими отверстиями.
12. Пользуйтесь только фланцами, предназначенными для данного инструмента.
13. Для инструментов, предназначенных для использования дисков с резьбовым отверстием, убедитесь, что резьба диска достаточна, чтобы диск можно было полностью завернуть на шпиндель.
14. Убедитесь, что обрабатываемая деталь имеет надлежащую опору.
15. Обратите внимание на то, что диск будет некоторое время вращаться после выключения инструмента.
16. Если в месте выполнения работ очень высокая температура и влажность или наблюдается большое количество токопроводящей пыли, используйте прерыватель цепи (30 мА) для обеспечения безопасности работ.
17. Не используйте инструмент на любых материалах, содержащих асбест.
18. При использовании отрезного диска, всегда работайте с защитным кожухом с патрубком для удаления пыли, установка которого необходима в соответствии с местными нормативными требованиями.
19. Не подвергайте отрезные круги какому-либо боковому давлению.
20. Не пользуйтесь тканевыми перчатками во время работы. Волокна от тканевых перчаток могут попасть в инструмент и привести к его поломке.
21. Убедитесь в отсутствии поблизости электрических проводов, водопроводных и газовых труб и других предметов, которые могут стать причиной опасной ситуации в случае их повреждения при использовании инструмента.

## СОХРАНИТЕ ДАННЫЕ ИНСТРУКЦИИ.

**▲ОСТОРОЖНО:** НЕ ДОПУСКАЙТЕ, чтобы удобство или опыт эксплуатации данного устройства (полученный от многократного использования) доминировали над строгим соблюдением правил техники безопасности при обращении с этим устройством. **НЕПРАВИЛЬНОЕ ИСПОЛЬЗОВАНИЕ** инструмента или несоблюдение правил техники безопасности, указанных в данном руководстве, может привести к тяжелой травме.

## ОПИСАНИЕ РАБОТЫ

**▲ВНИМАНИЕ:** Перед регулировкой или проверкой функций инструмента обязательно убедитесь, что он выключен и его вилка вынута из розетки.

### Фиксатор вала

Нажмите на фиксатор вала для предотвращения вращения шпинделя при установке или снятии дополнительных принадлежностей.

► **Рис.1:** 1. Фиксатор вала

**ПРИМЕЧАНИЕ:** Никогда не задействуйте фиксатор вала при вращающемся шпинделе. Это может привести к повреждению инструмента.

### Положения установки рукоятки с выключателем

Только для модели GA7080 / GA9080

**▲ВНИМАНИЕ:** Перед началом работы убедитесь в том, что рукоятка с выключателем зафиксирована в необходимом положении.

Рукоятку с выключателем можно поворачивать на 90° влево или вправо в соответствии с условиями выполняемой работы. Сначала выньте штекер инструмента из розетки. Нажмите кнопку блокировки и полностью поверните рукоятку с выключателем влево или вправо. Рукоятка с выключателем будет зафиксирована в этом положении.

► **Рис.2:** 1. Корпус двигателя 2. Кнопка блокировки 3. Ручка

### Действие выключателя

**▲ВНИМАНИЕ:** Перед включением инструмента в розетку обязательно убедитесь, что триггерный переключатель работает надлежащим образом и возвращается в положение "ВЫКЛ", если его отпустить.

**▲ВНИМАНИЕ:** В случае непредвиденного отключения электроэнергии или отсоединения шнура питания убедитесь, что выключили инструмент. В противном случае инструмент может неожиданно включиться при возобновлении подачи питания и стать причиной ущерба или травм.

В зависимости от страны существует три варианта действия переключателя.

► **Рис.3:** 1. Триггерный переключатель 2. Рычаг блокировки



## Для инструмента с блокирующим переключателем

*В зависимости от страны*

**▲ВНИМАНИЕ:** В случае продолжительной работы для удобства оператора переключатель можно зафиксировать в положении “ВКЛ.”. Соблюдайте осторожность при фиксации инструмента в положении “ВКЛ.” и крепко удерживайте инструмент.

Для включения инструмента достаточно просто нажать на триггерный переключатель (в направлении В). Отпустите триггерный переключатель для остановки. Для непрерывной работы инструмента нажмите на триггерный переключатель (в направлении В) и затем нажмите на рычаг блокировки (в направлении А). Для отключения блокировки инструмента потяните триггерный переключатель до упора (в направлении В) и затем отпустите его.

## Для инструмента с переключателем без блокировки

*В зависимости от страны (включая Австралию и Новую Зеландию)*

Для предотвращения непреднамеренного включения триггерного переключателя имеется рычаг блокировки. Для включения инструмента нажмите на рычаг блокировки (в направлении А) и затем нажмите на триггерный переключатель (в направлении В). Отпустите триггерный переключатель для остановки.

**ПРИМЕЧАНИЕ:** Не нажимайте сильно на триггерный переключатель, не нажав рычаг блокировки. Это может привести к поломке переключателя.

## Для инструмента с переключателем с блокировкой и без блокировки

*В зависимости от страны*

**▲ВНИМАНИЕ:** В случае продолжительной работы для удобства оператора переключатель можно зафиксировать в положении “ВКЛ.”. Соблюдайте осторожность при фиксации инструмента в положении “ВКЛ.” и крепко удерживайте инструмент.

Для предотвращения непреднамеренного включения триггерного переключателя имеется рычаг блокировки. Для включения инструмента нажмите на рычаг блокировки (в направлении А) и затем нажмите на триггерный переключатель (в направлении В). Отпустите триггерный переключатель для остановки. Для непрерывной работы инструмента нажмите на рычаг блокировки (в направлении А), нажмите на триггерный переключатель (в направлении В) и затем еще раз нажмите на рычаг блокировки (в направлении С). Для отключения блокировки инструмента потяните триггерный переключатель до упора (в направлении В) и затем отпустите его.

**ПРИМЕЧАНИЕ:** Не нажимайте сильно на триггерный переключатель, не нажав рычаг блокировки. Это может привести к поломке переключателя.

## Индикаторная лампа

*Только для модели GA7080 / GA7081 / GA9080 / GA9081*

► Рис.4: 1. Индикаторная лампа

При подключении инструмента к сети питания загорается зеленая индикаторная лампа. Если индикаторная лампа не загорается, то неисправен либо сетевой шнур, либо контроллер. Если индикаторная лампа горит, а инструмент не запускается даже при нажатом выключателе, это свидетельствует либо об износе угольных щеток, либо о неисправности контроллера, двигателя или переключателя.

## Защита от случайного включения

*Только для модели GA7080 / GA7081 / GA9080 / GA9081*

При заблокированном переключателе инструмент не включится даже при подсоединении к электросети. В это время индикаторная лампа будет мигать красным, указывая на срабатывание устройства защиты от случайного включения.

Для отмены защиты от случайного включения верните переключатель в положение OFF (ВЫКЛ.).

**ПРИМЕЧАНИЕ:** Подождите минимум одну секунду, прежде чем запустить инструмент при работающей функции защиты от случайного включения.

## Функция плавного запуска

*Только для модели GA7080 / GA7081 / GA9080 / GA9081*

Функция плавного запуска снижает начальный рывок инструмента.

## СБОРКА

**▲ВНИМАНИЕ:** Перед проведением каких-либо работ с инструментом обязательно проверьте, что инструмент выключен, а шнур питания вынут из розетки.

## Установка боковой ручки (рукоятки)

**▲ВНИМАНИЕ:** Перед работой всегда проверяйте надежность крепления боковой ручки.

**▲ВНИМАНИЕ:** Вы можете установить боковую ручку в одно из отверстий, исходя из условий работы.

Прочно закрепите боковую ручку на месте винтом, как показано на рисунке.

► Рис.5



## Установка или снятие петлеобразной рукоятки

### Дополнительные принадлежности

**⚠ВНИМАНИЕ:** Перед использованием инструмента обязательно проверяйте, надежно ли затянуты болты на петлеобразной рукоятке.

**⚠ВНИМАНИЕ:** Держитесь за отрезок петлеобразной рукоятки, указанный на рисунке. Кроме того, при работе не прикасайтесь к металлическим частям шлифмашины. В противном случае, если шлифмашина случайно пережет провод под напряжением, может произойти поражение электрическим током.

При выполнении некоторых работ петлеобразная рукоятка может быть более удобной, чем стандартная боковая ручка. Чтобы установить петлеобразную рукоятку, прикрепите ее к инструменту, как показано на рисунке, и затяните два болта. Снятие петлеобразной рукоятки производится в обратном порядке.

► **Рис.6:** 1. Петлеобразная рукоятка 2. Болт  
3. Поверхность захвата

## Установка или снятие защитного кожуха (для диска с утопленным центром, откидного круга, гибкого диска, дисковой проволочной щетки / абразивного отрезного диска, алмазного диска)

**⚠ОСТОРОЖНО:** При использовании диска с утопленным центром, откидного круга, гибкого диска или дисковой проволочной щетки установите защитный кожух так, чтобы закрытая сторона кожуха была направлена к оператору.

**⚠ОСТОРОЖНО:** При использовании абразивного отрезного диска/алмазного диска может применяться только специальный защитный кожух, предназначенный для отрезных дисков.

(В некоторых странах Европы при использовании алмазного диска можно применять обычный кожух. Соблюдайте требования нормативов, действующих в вашей стране.)

## Для инструмента с кожухом диска со стопорным винтом

Установите защитный кожух так, чтобы выступы на его хомуте совместились с пазами на коробке подшипника. Затем установите кожух диска под таким углом, чтобы во время работы он защищал оператора. Проверьте, чтобы винт был надежно затянут. Для снятия кожуха диска выполните процедуру установки в обратном порядке.

► **Рис.7:** 1. Кожух диска 2. Коробка подшипника  
3. Винт

## Для инструмента с кожухом диска с зажимным рычагом

### Дополнительные принадлежности

**⚠ОСТОРОЖНО:** Кожух диска должен быть установлен на инструмент так, чтобы его закрытая сторона была обращена к оператору.

Ослабьте гайку и потяните рычаг в направлении, указанном стрелкой.

► **Рис.8:** 1. Гайка 2. Рычаг

Установите кожух диска так, чтобы выступы на его кромке совместились с пазами на вкладыше подшипника. Затем установите кожух диска под таким углом, чтобы во время работы он защищал оператора.

► **Рис.9:** 1. Кожух диска 2. Коробка подшипника

► **Рис.10:** 1. Кожух диска

Крепко затяните гайку гаечным ключом и установите рычаг в закрытое положение в направлении, указанном стрелкой, чтобы зафиксировать кожух диска. Если рычаг закреплен слишком туго или слишком слабо, то для фиксации кожуха диска установите рычаг в открытое положение и ослабьте или затяните гайку гаечным ключом, отрегулировав таким образом затяжку обода кожуха диска.

► **Рис.11:** 1. Гайка 2. Рычаг

Для снятия кожуха диска выполните процедуру установки в обратном порядке.

## Установка и снятие диска с утопленным центром или откидного круга

### Дополнительные принадлежности

**⚠ОСТОРОЖНО:** При использовании диска с утопленным центром или откидного круга кожух диска должен быть установлен так, чтобы его закрытая сторона была обращена к оператору.

**⚠ВНИМАНИЕ:** Убедитесь, что крепежный компонент внутреннего фланца идеально совпадает с внутренним диаметром диска с утопленным центром/откидного круга.

Установка внутреннего фланца не с той стороны может привести к возникновению опасной вибрации.

Установите на шпindelь внутренний фланец.

Убедитесь, что часть с выемкой внутреннего фланца установлена на ровный участок у нижней части шпинделя.

Установите круг / диск на внутренний фланец и закрутите контргайку выступом вниз (по направлению к диску).

► **Рис.12:** 1. Контргайка 2. Диск с утопленным центром 3. Внутренний фланец  
4. Крепежный компонент

Для затяжки контргайки сильно надавите на фиксатор вала, чтобы шпindelь не проворачивался, затем воспользуйтесь ключом контргайки и крепко затяните ее по часовой стрелке.

► **Рис.13:** 1. Ключ контргайки 2. Фиксатор вала

Для снятия диска выполните процедуру установки в обратном порядке.

## Установка и снятие гибкого диска

### Дополнительные принадлежности

**⚠ ОСТОРОЖНО:** При установке на инструмент гибкого диска обязательно используйте прилагаемый кожух. Во время работы диск может разрушиться. Защитный кожух снизит риск получения травмы.

- **Рис.14:** 1. Контргайка 2. Гибкий диск  
3. Вспомогательная подушка  
4. Внутренний фланец

Следуйте указаниям для диска с утопленным центром, а также установите над диском вспомогательную подушку. Порядок сборки дополнительных принадлежностей см. на соответствующей странице данного руководства.

## Суперфланец

### Дополнительные принадлежности

Суперфланец является специальной принадлежностью для модели, НЕ оснащенной функцией торможения.

Модели с буквой F стандартно комплектуются суперфланцем. Для откручивания контргайки достаточно только 1/3 усилия, необходимого для снятия стандартной гайки.

## Установка или снятие гайки Ezynut

### Дополнительные принадлежности

**Только для инструментов с резьбой шпинделя M14.**

**⚠ ВНИМАНИЕ:** Не используйте гайку Ezynut с суперфланцем. Эти фланцы имеют толщину, при которой шпиндель не может быть завернут по всей длине резьбы.

Установите внутренний фланец, абразивный диск и гайку Ezynut на шпиндель так, чтобы логотип Makita на гайке Ezynut был направлен наружу.

- **Рис.15:** 1. Гайка Ezynut 2. Абразивный диск  
3. Внутренний фланец 4. Шпиндель

Сильно надавите на фиксатор вала и затяните гайку Ezynut, повернув абразивный диск по часовой стрелке до упора.

- **Рис.16:** 1. Фиксатор вала

Чтобы ослабить гайку Ezynut, поверните ее внешнее кольцо против часовой стрелки.

**ПРИМЕЧАНИЕ:** Гайку Ezynut можно ослабить без использования инструментов, если стрелка указывает на паз. В противном случае необходимо воспользоваться ключом для контргаек. Вставьте один зуб ключа в отверстие и поверните гайку Ezynut против часовой стрелки.

- **Рис.17:** 1. Стрелка 2. Паз

- **Рис.18**

## Установка или снятие абразивного круга

### Дополнительные принадлежности

- **Рис.19:** 1. Шлифовальная контргайка  
2. Абразивный круг 3. Резиновая подушка

1. Установите резиновую подушку на шпиндель.
2. Установите круг на резиновую подушку и наверните на шпиндель шлифовальную контргайку.
3. Закрепите шпиндель с помощью фиксатора вала и надежно затяните шлифовальную контргайку по часовой стрелке с помощью ключа.

Для снятия круга выполните процедуру установки в обратном порядке.

**ПРИМЕЧАНИЕ:** Используйте принадлежности для шлифования, указанные в данном руководстве. Их необходимо приобретать отдельно.

## Выполнение работ с абразивным отрезным/алмазным диском

### Дополнительные принадлежности

**⚠ ОСТОРОЖНО:** При использовании абразивного отрезного диска/алмазного диска может применяться только специальный защитный кожух, предназначенный для отрезных дисков.

(В некоторых странах Европы при использовании алмазного диска можно применять обычный кожух. Соблюдайте требования нормативов, действующих в вашей стране.)

**⚠ ОСТОРОЖНО:** ЗАПРЕЩАЕТСЯ использовать отрезной диск для шлифовки боковой поверхностью.

Установите на шпиндель внутренний фланец. Установите диск/круг на внутренний фланец и наверните на шпиндель контргайку.

- **Рис.20:** 1. Контргайка 2. Абразивный отрезной диск/алмазный диск 3. Внутренний фланец 4. Защитный кожух для абразивного отрезного диска/алмазного диска

### Для Австралии и Новой Зеландии

- **Рис.21:** 1. Контргайка 2. Наружный фланец 78  
3. Абразивный отрезной диск/алмазный диск 4. Внутренний фланец 78  
5. Защитный кожух для абразивного отрезного диска/алмазного диска

## Установка чашечной проволочной щетки

### Дополнительные принадлежности

**⚠ВНИМАНИЕ:** Не используйте поврежденную или разбалансированную щетку. Использование поврежденной щетки может увеличить опасность получения травм от контакта с проволокой.

► **Рис.22:** 1. Чашечная проволочная щетка

Снимите со шпинделя все дополнительные принадлежности. Наверните чашечную проволочную щетку на шпиндель и затяните ключом.

## Установка дисковой проволочной щетки

### Дополнительные принадлежности

**⚠ВНИМАНИЕ:** Не используйте поврежденную или разбалансированную дисковую проволочную щетку. Использование поврежденной дисковой проволочной щетки может увеличить риск получения травм от контакта с проволокой.

**⚠ВНИМАНИЕ:** При работе с дисковой проволочной щеткой **ВСЕГДА** используйте защитный кожух, убедившись, что диаметр диска соответствует внутреннему диаметру кожуха. Во время работы диск может разрушиться. Защитный кожух снизит риск получения травмы.

► **Рис.23:** 1. Дисковая проволочная щетка

Снимите со шпинделя все дополнительные принадлежности. Установите дисковую проволочную щетку на шпиндель и затяните ее ключом.

## Установка кожуха шлифовального диска с пылеотводом

Кожух шлифовального диска с пылеотводом для шлифования (для модели GA7080 / GA7081 / GA9080 / GA9081)

► **Рис.24:** 1. Контргайка 2. Алмазный чашеобразный диск 3. Алмазный чашеобразный диск со втулкой 4. Внутренний фланец 5. Кожух шлифовального диска с пылеотводом 6. Вкладыш подшипника

**⚠ОСТОРОЖНО:** Кожух шлифовального диска с пылеотводом для шлифования предназначен для использования только при шлифовании плоской бетонной поверхности чашеобразным алмазным диском. Не используйте его со шлифовальными камнями или в каких-либо иных целях, кроме указанных в этом руководстве.

Кожух шлифовального отрезного диска с пылеотводом (для модели GA9080 / GA9081 / GA9082)

► **Рис.25**

**ПРИМЕЧАНИЕ:** Информацию по установке пылезащитной крышки см. в руководстве к пылезащитной крышке.

## Подключение пылесоса

### Дополнительные принадлежности

**⚠ОСТОРОЖНО:** Не используйте пылесос для сбора металлических частиц, образовавшихся во время работы. Металлические частицы, образовавшиеся во время таких операций, настолько горячие, что от них может произойти возгорание пыли и фильтра внутри пылесоса.

Чтобы избежать высокой запыленности, образующейся в результате резки каменной кладки, используйте кожух шлифовального диска с пылеотводом и пылесос. См. руководство по сборке и эксплуатации, прилагаемое к кожуху шлифовального диска с пылеотводом.

► **Рис.26:** 1. Кожух шлифовального отрезного диска с пылеотводом 2. Шланг пылесоса

## ЭКСПЛУАТАЦИЯ

**⚠ОСТОРОЖНО:** Никогда не прилагайте к инструменту чрезмерные усилия. Вес инструмента обеспечивает достаточное давление. Чрезмерное усилие и давление могут привести к опасному разрушению диска.

**⚠ОСТОРОЖНО: ОБЯЗАТЕЛЬНО** замените диск, если при шлифовании инструмент упал.

**⚠ОСТОРОЖНО: ЗАПРЕЩАЕТСЯ** стучать и бить диском по обрабатываемой детали.

**⚠ОСТОРОЖНО:** Избегайте подпрыгивания и зацепления диска, особенно при обработке углов, острых краев и т. д. Это может привести к потере контроля и отдаче.

**⚠ОСТОРОЖНО:** Запрещается использовать инструмент с полотнами для обработки дерева или другими пыльными дисками. При использовании на шлифмашине такие диски часто выскакивают, выходят из-под контроля и приводят к травмам.

**⚠ОСТОРОЖНО:** Продолжительное использование изношенного диска может привести к его разрушению и серьезной травме.

**⚠ВНИМАНИЕ:** Запрещается включать инструмент, если он касается обрабатываемого изделия. Это может стать причиной травмы оператора.

**⚠ВНИМАНИЕ:** Во время выполнения операции всегда надевайте защитные очки или защитную маску.

**⚠ВНИМАНИЕ:** После работы всегда отключайте инструмент и дождитесь полной остановки диска перед тем, как положить инструмент.

**⚠ВНИМАНИЕ: ВСЕГДА** крепко держите инструмент, положив одну руку на корпус, а вторую - на боковую ручку (рукоятку).

## Шлифовка и зачистка

### ► Рис.27

Включите инструмент, а затем прижмите диск или круг к обрабатываемой детали. Обычно следует держать край диска или круга под углом около 15 градусов относительно поверхности обрабатываемой детали. В период приработки нового диска не перемещайте шлифмашину вперед, поскольку диск может врезаться в обрабатываемую деталь. После того как кромка диска закруглится от использования, можно будет перемещать его в обоих направлениях (вперед и назад).

## Выполнение работ с абразивным отрезным/алмазным диском

### Дополнительные принадлежности

**▲ОСТОРОЖНО:** Не “заклинивайте” диск и не оказывайте на него чрезмерное давление. Не пытайтесь делать слишком глубокий разрез. Чрезмерное давление на диск увеличивает нагрузку и вероятность искривления или застревания диска в прорези, а также возможность отдачи, поломки диска и перегрева электродвигателя.

**▲ОСТОРОЖНО:** Не запускайте отрезной диск, пока он находится в детали. Дайте диску раскрутиться до максимальной скорости, а затем осторожно введите в разрез, перемещая инструмент вперед по поверхности обрабатываемой детали. Диск может застрять, отдача может отбросить его вверх или назад, если запустить электроинструмент, когда диск находится в детали.

**▲ОСТОРОЖНО:** Во время операций резания нельзя менять угол наклона диска. Боковое давление на отрезной диск (как при шлифовке) приводит к растрескиванию и разрушению диска, в результате чего возможны серьезные травмы.

**▲ОСТОРОЖНО:** Работы с алмазным диском необходимо выполнять, удерживая его перпендикулярно рабочей поверхности.

В модели GA7080 и GA9080 рукоятку с выключателем можно повернуть.

Пример использования: применение абразивного отрезного диска с GA7080 / GA9080  
► Рис.28

Пример использования: применение абразивного отрезного диска с GA7081 / GA7082 / GA9081 / GA9082  
► Рис.29

Пример использования: применение алмазного диска с GA7080 / GA9080  
► Рис.30

Пример использования: применение алмазного диска с GA7081 / GA7082 / GA9081 / GA9082  
► Рис.31

## Операции с чашечной проволочной щеткой

### Дополнительные принадлежности

**▲ВНИМАНИЕ:** Проверьте работу щетки, запустив инструмент на холостом ходу, предварительно убедившись, что никто не находится перед ним или на одной линии со щеткой.

**ПРИМЕЧАНИЕ:** Не прикладывайте слишком большое давление, поскольку это может привести к изгибанию проволоки во время использования чашечной проволочной щетки. Это может стать причиной преждевременной поломки.

Пример использования: применение чашечной проволочной щетки  
► Рис.32

## Работа с дисковой проволочной щеткой

### Дополнительные принадлежности

**▲ВНИМАНИЕ:** Проверьте работу дисковой проволочной щетки, запустив инструмент на холостом ходу и предварительно убедившись, что никто не находится перед ним или на одной линии с дисковой проволочной щеткой.

**ПРИМЕЧАНИЕ:** Не прикладывайте слишком большое давление, так как оно может привести к тому, что проволока погнется во время использования дисковой проволочной щетки. Это может стать причиной преждевременной поломки.

Пример использования: применение дисковой проволочной щетки  
► Рис.33

## ОБСЛУЖИВАНИЕ

**▲ВНИМАНИЕ:** Перед проверкой или проведением техобслуживания убедитесь, что инструмент выключен, а штекер отсоединен от розетки.

**ПРИМЕЧАНИЕ:** Запрещается использовать бензин, растворители, спирт и другие подобные жидкости. Это может привести к обесцвечиванию, деформации и трещинам.

Для обеспечения БЕЗОПАСНОСТИ и НАДЕЖНОСТИ оборудования ремонт, любое другое техобслуживание или регулировку необходимо производить в уполномоченных сервис-центрах Makita или сервис-центрах предприятия с использованием только сменных частей производства Makita.

**ПРИМЕЧАНИЕ:** Не ослабляйте винты на крышке. Иначе крышка может случайно открыться.

► Рис.34: 1. Винт

## Очистка вентиляционного отверстия

Инструмент и его вентиляционные отверстия должны содержаться в чистоте. Производите регулярную очистку вентиляционных отверстий инструмента или очищайте их в случае засорения.

► **Рис.35:** 1. Вытяжное отверстие 2. Впускное вентиляционное отверстие

## ДОПОЛНИТЕЛЬНЫЕ ПРИНАДЛЕЖНОСТИ

**ВНИМАНИЕ:** Данные принадлежности или приспособления рекомендуются для использования с инструментом Makita, указанным в настоящем руководстве. Использование других принадлежностей или приспособлений может привести к получению травмы. Используйте принадлежность или приспособление только по указанному назначению.

Если вам необходимо содействие в получении дополнительной информации по этим принадлежностям, свяжитесь с вашим сервис-центром Makita.

► **Рис.36**

-	180 мм	230 мм
1	Боковая ручка / петлеобразная рукоятка	
2	Кожух диска для шлифовального диска с утопленным центром / откидного круга / гибкого диска / дисковой проволочной щетки	
3	Внутренний фланец / суперфланец *2	
4	Шлифовальный диск с утопленным центром / откидной круг	
5	Контргайка / гайка Ezynut *1*2	
6	Кожух для абразивного отрезного диска / алмазного диска *3	
7	Внутренний фланец 78 (только для Австралии и Новой Зеландии) *4	
8	Абразивный отрезной диск / алмазный диск	
9	Внешний фланец 78 (только для Австралии и Новой Зеландии) *4	
10	Вспомогательная подушка	
11	Гибкий диск	
12	Резиновая подушка	
13	Абразивный круг	
14	Шлифовальная контргайка	
15	Дисковая проволочная щетка	
16	Чашечная проволочная щетка	
17	-	Боковая ручка для кожуха шлифовального диска с пылеотводом
18	-	Кожух шлифовального отрезного диска с пылеотводом *4
19	-	Суперфланец *2
20	-	Алмазный диск
21	Кожух шлифовального диска с пылеотводом для несоосного алмазного диска	
22	Несоосный алмазный диск	
-	Ключ для контргайки	
-	Пылезащитная крышка	

**ПРИМЕЧАНИЕ:** \*1 Только для инструментов с резьбой шпинделя M14.

**ПРИМЕЧАНИЕ:** \*2 Не используйте суперфланец с гайкой Ezynut.

**ПРИМЕЧАНИЕ:** \*3 В некоторых странах Европы при использовании алмазного диска можно применять обычный кожух вместо специального, закрывающего обе стороны диска. Соблюдайте требования нормативов, действующих в вашей стране.

**ПРИМЕЧАНИЕ:** \*4 Используйте внутренний фланец 78 с внешним фланцем 78. (Только для Австралии и Новой Зеландии)

**ПРИМЕЧАНИЕ:** Некоторые элементы списка могут входить в комплект инструмента в качестве стандартных приспособлений. Они могут отличаться в зависимости от страны.









**Makita Europe N.V.** Jan-Baptist Vinkstraat 2,  
3070 Kortenberg, Belgium

**Makita Corporation** 3-11-8, Sumiyoshi-cho,  
Anjo, Aichi 446-8502 Japan

[www.makita.com](http://www.makita.com)

885884C980  
EN, SV, NO, FI, DA,  
LV, LT, ET, RU  
20221125